



PENTAIR® VS2

VARIABLE SPEED PUMPS - SECOND GENERATION

INSTALLATION GUIDE / INSTALLATIEHANDLEIDING
BEDIENUNGSANLEITUNG / GUIDE D'INSTALLATION
GUIA DE INSTALACION / GUIDE ALL'INSTALLAZIONE



CHALLENGER VS2



SUPERFLO VS2



WHISPERFLO VS2



IMPORTANT SAFETY INSTRUCTIONS READ AND FOLLOW ALL INSTRUCTIONS SAVE THESE INSTRUCTIONS
AQUATIC SYSTEMS | P-INSB-VS2 (Rev. 01/2019)

ENGLISH 2

DEUTSCH 22

FRANCAIS 42

NEDERLANDS 62

ESPAÑOL 82

ITALIANO 102

IMPORTANT PUMP WARNING AND SAFETY INSTRUCTIONS



IMPORTANT NOTICE

This guide provides installation and operation instructions for the VS2 Variable Speed Pump. Consult Pentair with any questions regarding this equipment.

Attention Installer: This guide contains important information about the installation, operation and safe use of this product. This information should be given to the owner and/or operator of this equipment after installation or left on or near the pump.

Attention User: This manual contains important information that will help you in operating and maintaining this product. Please retain it for future reference. Warnings and safety instructions for Pentair Aquatic Systems. Pumps and other related products are available at:

<http://www.pentairpool.com/pool-owner/safety-warnings/> for additional free copies of these instructions.

READ AND FOLLOW ALL INSTRUCTIONS SAVE THESE INSTRUCTIONS



This is the safety alert symbol. When you see this symbol on your system or in this manual, look for one of the following signal words and be alert to the potential for personal injury.

⚠ DANGER

Warns about hazards that can cause death, serious personal injury, or major property damage if ignored.

⚠ WARNING

Warns about hazards that may cause death, serious personal injury, or major property damage if ignored.

⚠ CAUTION

Warns about hazards that may or can cause minor personal injury or property damage if ignored.

NOTE indicates special instructions not related to hazards.

Carefully read and follow all safety instructions in this manual and on equipment. Keep safety labels in good condition; replace if missing or damaged.

When installing and using this electrical equipment, basic safety precautions should always be followed, include the following:

⚠ WARNING

Do not permit children to use this product.

⚠ WARNING

RISK OF ELECTRICAL SHOCK. Connect only to a branch circuit protected by a ground-fault circuit-interrupter (GFCI). Contact a qualified electrician if you cannot verify that the circuit is protected by a GFCI.

⚠ WARNING

This unit must be connected only to a supply circuit that is protected by a ground-fault circuit-interrupter (GFCI). Such a GFCI should be provided by the installer and should be tested on a routine basis. To test the GFCI, push the test button. The GFCI should interrupt power. Push the reset button. Power should be restored. If the GFCI fails to operate in this manner, the GFCI is defective. If the GFCI interrupts power to the pump without the test button being pushed, a ground current is flowing, indicating the possibility of an electric shock. Do not use this pump. Disconnect the pump and have the problem corrected by a qualified service representative before using.

⚠ CAUTION

This pump is for use with permanent swimming pools and may also be used with hot tubs and spas if so marked. Do not use with storable pools. A permanently-installed pool is constructed in or on the ground or in a building such that it cannot be readily disassembled for storage. A storable pool is constructed so that it is capable of being readily disassembled for storage and reassembled to its original integrity.

General Warnings

- Never open the inside of the drive motor enclosure. There is a capacitor bank that holds a 230 VAC charge even when there is no power to the unit.
- The pump is not submersible.
- The pump is capable of high flow rates; use caution when installing and programming to limit pumps performance potential with old or questionable equipment.
- Code requirements for the electrical connection differ from state to state. Install equipment in accordance with the current National Electrical Code and all applicable local codes and ordinances.
- Before servicing the pump; switch OFF power to the pump by disconnecting the main circuit to the pump.
- This appliance is not intended for use by persons (including children) of reduced physical, sensory or mental capabilities, or lack of experience and knowledge, unless they have been given supervision or instruction concerning the use of the appliance by a person responsible for their safety.
- Sufficient equipotential bonding (min. 4.5mm² recommended), in accordance with local regulation, is required on all metal components of the pool including the pool pump. It is required for electrical safety as well as to reduce the risk of corrosion.

⚠ DANGER

FAILURE TO FOLLOW ALL INSTRUCTIONS AND WARNINGS CAN RESULT IN SERIOUS BODILY INJURY OR DEATH. THIS PUMP SHOULD BE INSTALLED AND SERVICED ONLY BY A QUALIFIED

POOL SERVICE PROFESSIONAL. INSTALLERS, POOL OPERATORS AND OWNERS MUST READ THESE WARNINGS AND ALL INSTRUCTIONS IN THE OWNER'S MANUAL BEFORE USING THIS PUMP. THESE WARNINGS AND THE OWNER'S MANUAL MUST BE LEFT WITH THE POOL OWNER.

⚠ DANGER

SUCTION ENTRAPMENT HAZARD: STAY OFF THE MAIN DRAIN AND AWAY FROM ALL SUCTION OUTLETS!



THIS PUMP PRODUCES HIGH LEVELS OF SUCTION AND CREATES A STRONG VACUUM AT THE MAIN DRAIN AT THE BOTTOM OF THE BODY OF WATER. THIS SUCTION IS SO STRONG THAT IT CAN TRAP ADULTS OR CHILDREN UNDER WATER IF THEY COME IN CLOSE PROXIMITY TO A DRAIN OR A LOOSE OR BROKEN DRAIN COVER OR GRATE.

⚠ DANGER



RISK OF ELECTRICAL SHOCK OR ELECTROCUTION: PUMPS REQUIRE HIGH VOLTAGE WHICH CAN SHOCK, BURN, OR CAUSE DEATH. BEFORE WORKING ON PUMP! Always disconnect power to the pool pump at the circuit breaker from the pump before servicing the pump. Failure to do so could result in death or serious injury to service person, pool users or others due to electric shock.

THE USE OF UNAPPROVED COVERS OR ALLOWING USE OF THE POOL OR SPA WHEN COVERS ARE MISSING, CRACKED OR BROKEN CAN RESULT IN BODY OR LIMB ENTRAPMENT, HAIR ENTANGLEMENT, BODY ENTRAPMENT, EVISCEATION AND/OR DEATH. The suction at a drain or outlet can cause:

Limb Entrapment: When a limb is sucked or inserted into an opening resulting in a mechanical bind or swelling. This hazard is present when a drain cover is missing, broken, loose, cracked or not properly secured.

Hair Entanglement: When the hair tangles or knots in the drain cover, trapping the swimmer underwater. This hazard is present when the flow rating of the cover is too small for the pump or pumps.

IMPORTANT PUMP WARNING AND SAFETY INSTRUCTIONS

Body Entrapment: When a portion of the body is held against the drain cover trapping the swimmer underwater. This hazard is present when the drain cover is missing, broken or the cover flow rating is not high enough for the pump or pumps.

Evisceration/Disembowelment: When a person sits on an open pool (particularly a child wading pool) or spa outlet and suction is applied directly to the intestines, causing severe intestinal damage. This hazard is present when the drain cover is missing, loose, cracked, or not properly secured.

Mechanical Entrapment: When jewelry, swimsuit, hair decorations, finger, toe or knuckle is caught in an outlet or drain cover. This hazard is present when the drain cover is missing, broken, loose, cracked, or not properly secured.

NOTE: ALL SUCTION PLUMBING MUST BE INSTALLED IN ACCORDANCE WITH THE LATEST NATIONAL AND LOCAL CODES, STANDARDS AND GUIDELINES.



TO MINIMIZE THE RISK OF INJURY DUE TO SUCTION ENTRAPMENT HAZARD:

- Each suction cover must be installed at least 1 m apart, as measured from the nearest point to nearest point.
- Regularly inspect all covers for cracks, damage and advanced weathering.
- If a cover becomes loose, cracked, damaged, broken or is missing, replace with an appropriate certified cover.
- Replace drain covers as necessary. Drain covers deteriorate over time due to exposure to sunlight and weather.
- Avoid getting hair, limbs or body in close proximity to any suction cover, pool drain or outlet.
- Disable suction outlets or reconfigure into return inlets.



A clearly labeled emergency shut-off switch for the pump must be in an easily accessible, obvious place. Make sure users know where it is and how to use it in case of emergency.

The Virginia Graeme Baker (VGB) Pool and Spa Safety Act creates new requirements for owners and operators of commercial swimming pools and spas.

Commercial pools or spas constructed on or after December 19, 2008, shall utilize:

(A) A multiple main drain system without isolation capability with suction outlet covers that meet ASME/ANSI A112.19.8a Suction Fittings for Use in Swimming Pools, Wading Pools, Spas, and Hot Tubs and either:

- A safety vacuum release system (SVRS) meeting ASME/ANSI A112.19.17 Manufactured Safety Vacuum Release systems (SVRS) for Residential and Commercial Swimming Pool, Spa, Hot Tub, and Wading Pool Suction Systems and/or ASTM F2387 Standard Specification for Manufactured Safety Vacuum Release Systems (SVRS) for Swimming pools, Spas and Hot Tubs or
- A properly designed and tested suction-limiting vent system or
- An automatic pump shut-off system.

Commercial pools and spas constructed prior to December 19, 2008, with a single submerged suction outlet shall use a suction outlet cover that meets ASME/ANSI A112.19.8a and either:

- A SVRS meeting ASME/ANSI A112.19.17 and/or ASTM F2387, or
- A properly designed and tested suction-limiting vent system, or
- An automatic pump shut-off system, or
- Disabled submerged outlets, or
- Suction outlets shall be re-configured into return inlets.

For Installation of Electrical Controls at Equipment Pad (ON/OFF Switches, Timers and Automation Load Center)



Install all electrical controls at equipment pad, such as on/off switches, timers, and control systems, etc. to allow the operation (startup, shut-down, or servicing) of any pump or filter so the user does not place any portion of his/her body over or near the pump strainer lid, filter lid or valve closures. This installation should allow the user enough space to stand clear of the filter and pump during system start-up, shut down or servicing of the system filter.



HAZARDOUS PRESSURE: STAND CLEAR OF PUMP AND FILTER DURING START UP

Circulation systems operate under high pressure. When any part of the circulating system (i.e. locking ring, pump, filter, valves, etc.) is serviced, air can enter the system and become pressurized. Pressurized air can cause the pump housing cover, filter lid, and valves to violently separate which can result in severe personal injury or death. Filter tank lid and strainer cover must be properly secured to prevent violent separation. Stand clear of all circulation system equipment when turning on or starting up pump.

Before servicing equipment, make note of the filter pressure. Be sure that all controls are set to ensure the system cannot inadvertently start during service. Turn off all power to the pump. **IMPORTANT:** Place filter manual air relief valve in the open position and wait for all pressure in the system to be relieved.

Before starting the system, fully open the manual air relief valve and place all system valves in the "open" position to allow water to flow freely from the tank and back to the tank. Stand clear of all equipment and start the pump. **IMPORTANT:** Do not close filter manual air relief valve until all pressure has been discharged from the valve and a steady stream of water appears. Observe filter pressure gauge and be sure it is not higher than the pre-service condition.

General Installation Information

- All work must be performed by a qualified service professional, and must conform to all national, state, and local codes.
- Install to provide drainage of compartment for electrical components.
- These instructions contain information for a variety of pump models and therefore some instructions may not apply to a specific model. All models are intended for use in swimming pool applications. The pump will function correctly only if it is properly sized to the specific application and properly installed.
- Fitting a non-return valve after the pump on the installation will prevent the impeller from unwinding and is strongly recommended.



Pumps improperly sized or installed or used in applications other than for which the pump was intended can result in severe personal injury or death. These risks may include but not be limited to electric shock, fire, flooding, suction entrapment or severe injury or property damage caused by a structural failure of the pump or other system component.



The pump can produce high levels of suction within the suction side of the plumbing system. These high levels of suction can pose a risk if a person comes within the close proximity of the suction openings. A person can be seriously injured by this high level of vacuum or may become trapped and drown. It is absolutely critical that the suction plumbing be installed in accordance with the latest national and local codes for swimming pools.

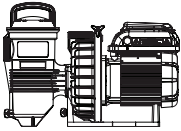
SAVE THESE INSTRUCTIONS

Pump Overview

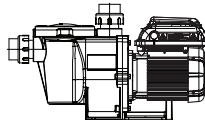
The perfect choice for all types of pools, the VS2 Variable Speed Pump was specifically designed to be your best choice for a variety of in-ground pools.

Thick walled body parts, a heavy duty TEFC motor, and highly engineered hydraulics make this rugged and tested design perfect for any pool, spa, water feature, or fountain.

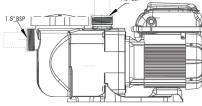
All pumps from Pentair Aquatic Systems incorporate innovative hydraulic engineering that has been refined for over 40 years. Compact, rugged, and easy to maintain, the VS2 pump will deliver years of reliable service.



Challenger VS2 Pump
P/N: CHL-VS2



Whisperflo-VS2 Pump
P/N: WFL-VS2



Superflo-VS2 Pump
P/N: SFL-VS2

General Features

- Extremely quiet operation
- Unionized fittings (1.5" and 2") for simple replacement
- Cam and Ramp™ Lid for easy cleaning and maintenance
- Super-duty totally enclosed fan cooled (TEFC) motor for long life
- Integral volute and pot reduce hydraulic noise
- See-through lid permits easy inspection of strainer basket
- Self-priming for quick, easy start-up
- CE/REACH certified
- IPX6 rated

Controller Features

- Simple user interface
- IPX6 certified UV and rain-proof enclosure
- Onboard time of day schedule
- Adjustable priming mode
- Programmable quick clean mode
- Diagnostic alarm display and retention
- Active power factor correction

- Accepts 99-253V, 50/60Hz input power
- Auto power limiting protection circuit
- 24hr. clock retention for power outages
- Keypad lockout mode
- Accepts low voltage digital inputs from external controls

Controller Overview

The VS2 Variable Speed Pump uses a premium efficiency variable speed motor that provides tremendous program flexibility in terms of motor speed and duration settings. The pump is intended to run at the lowest speeds needed to maintain a sanitary environment, which in turn minimizes energy consumption. Pool size, the presence of additional water features, chemicals used to maintain sanitary conditions, and local environmental factors will impact optimal programming necessary to maximize energy conservation.

The integrated electronics interface controls the speed settings as well as the run durations. The pump can operate at speeds ranging between 300 and 3450 RPM and will operate within

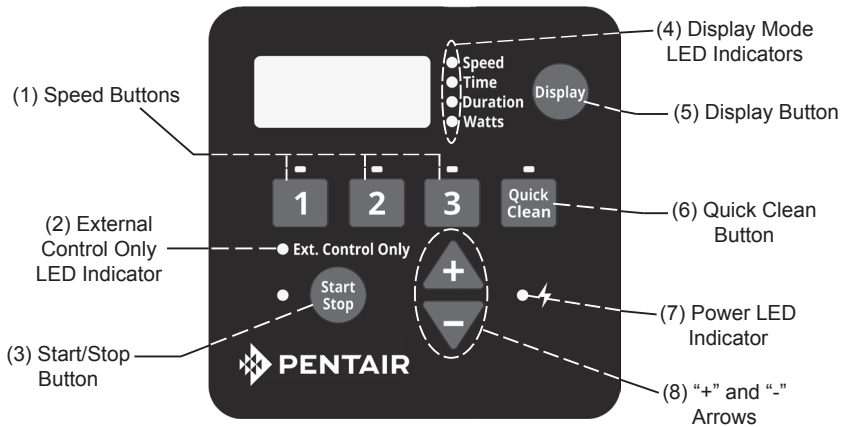


WARNING This pump is for use with 115/208-230 Vrms nominal, and in pool pump applications ONLY. Connection to the wrong voltage, or use in other application may cause damage to equipment or personal injury.

the voltage range of 99-253 Vrms at either 50 or 60Hz input frequency. Program customization may require some trial-and-error to determine the most satisfactory settings as dictated by the conditions. In most cases, setting the pump at the lowest speed for the longest duration is the best strategy to minimize energy consumption. However, conditions may require running the pump at a higher speed for some duration of time each day to maintain proper filtration to achieve satisfactory sanitation.

Note: Optimize the pump to suit individual pool conditions. Specific conditions including pool size, other devices, features and environmental factors can all impact the optimal settings.

CONTROL PANEL OVERVIEW



⚠ CAUTION

If power is connected to the VS2 Variable Speed Pump motor, pressing any of the following buttons referred to in this section could result in the motor starting. Failure to recognize this could result in personal injury or damage to equipment.

Keypad Navigation

- Speed Buttons** - Used to select the run speed desired. The LED above the Speed Buttons will illuminate when that speed is selected or is currently running. A flashing LED indicates that an External Control is active on that speeds channel.
- External Control Only LED Indicator** - Indicates that the pump is operating in External Control Only mode. When LED is illuminated the schedule is disabled and the only input is from the low voltage external controls.
- Start/Stop Button** - Used to Start and Stop the pump. When the pump is stopped and the LED is not illuminated, the pump is unable to run from any type of input.
- Display Mode LED Indicators** - An illuminated LED indicates the information being displayed on the screen at any specific point. A flashing LED indicates that the parameter is currently being edited.
- Display Button** - Used to toggle between the different available display modes. This button is also used to set the 24-hour clock and screen resolution.
- Quick Clean Button** - Used to run a selected speed and duration programmed for Quick Clean. When the LED is illuminated the Quick Clean schedule is active.
- Power LED Indicator** - An illuminated LED indicates that there is live power being supplied to the pump.
- "+" and "-" Arrows** - Used to make on screen adjustments to the pump settings. The "+" arrow increases the value of a given setting, while "-" decreases the value of a given setting. Pressing and holding down either arrow button will increase or decrease the incremental changes faster.

Only a qualified plumbing professional should install the VS2 Variable Speed Pump. Refer to “**Pump Warning And Safety Instructions**” on pages ii-iii for additional installation and safety information.

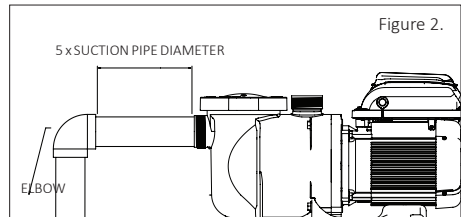
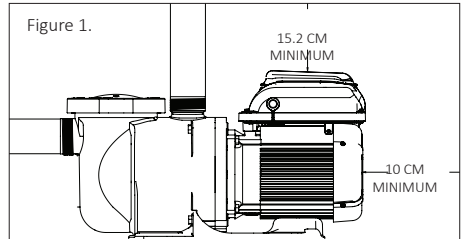
Location

Note: Do not install this pump within an outer enclosure or beneath the skirt of a hot tub or spa unless marked accordingly.

Note: Ensure that the pump is mechanically secured to the equipment pad.

Be sure the pump location meets the following requirements:

1. Install the pump as close to the pool or spa as possible. To reduce friction loss and improve efficiency, use short, direct suction and return piping.
2. Install a minimum of 1.5 meters from the inside wall of the pool and spa.
3. Install the pump a minimum of 1 meter from the heater outlet.
4. Do not install the pump more than 3 meters above the water level.
5. Install the pump in a well ventilated location protected from excess moisture (i.e. rain gutter downspouts, sprinklers, etc.).
6. Install the pump with a rear clearance of at least 10 cm so that the motor can be removed easily for maintenance and repair. See **Figure 1**.



Piping

1. For improved pool plumbing, it is recommended to use a larger pipe size.
2. Piping on the suction side of the pump should be the same or larger than the return line diameter.
3. Plumbing on the suction side of the pump should be as short as possible.
4. For most installations Pentair recommends installing a valve on both the pump suction and return lines so that the pump can be isolated during routine maintenance. However, we also recommend that a valve, elbow or tee installed in the suction line should be no closer to the front of the pump than five (5) times the suction line diameter. See **Figure 2**.

Example: A 2.5 inch pipe requires a 12.5 inch (31.8 cm) straight run in front of the suction inlet of the pump. This will help the pump prime faster and last longer.

Note: DO NOT install 90° elbows directly into the pump inlet or outlet.

Fittings and Valves

1. Do not install 90° elbows directly into pump inlet.
2. Flooded suction systems should have gate valves installed on suction and discharge pipes for maintenance, however, the suction gate valve should be no closer than five times the suction pipe diameter as described in this section.
3. Use a check valve in the discharge line when using this pump for any application where there is significant height to the plumbing after the pump.
4. Be sure to install check valves when plumbing in parallel with another pump. This helps prevent reverse rotation of the impeller and motor.

Electrical Requirements

- Install all equipment in accordance with the your national electrical code and all applicable local codes and ordinances.
- A means for disconnection must be incorporated in the fixed wiring in accordance with the wiring rules.

WARNING

RISK OF ELECTRICAL SHOCK OR ELECTROCUTION. The Variable Speed Pump must be installed by a licensed or certified electrician or a qualified service professional in accordance with the National Electrical Code and all applicable local codes and ordinances. Improper installation will create an electrical hazard which could result in death or serious injury to users, installers, or others due to electrical shock, and may also cause damage to property.

Always disconnect power to the pump at the circuit breaker before servicing the pump. Failure to do so could result in death or serious injury to service people, pool users or others due to electric shock and/or property damage.
Read all servicing instructions before working on the pump.

Wiring Overview and Installation

WARNING

Power should be turned off when installing, servicing, or repairing electrical components. Observe all warning notices posted on the existing equipment, pump, and in these installation instructions.

by a GFCI circuit breaker, use a dedicated circuit breaker that has no other electrical loads.

8. Connect the pump permanently to a circuit. Make sure no other lights or appliances are on the same circuit.

The pump must be wired according to the local electrical codes and standards. Always refer to the National Electrical Code. This pump should be installed by a licensed electrician.

The pump accepts 99-253V, 50 or 60Hz single phase input power. The terminal block connections are capable of handling up to 10AWG solid or stranded wire. There are also fast-on type quick connectors, however, check the local electrical codes for the desired connection method. The connections must be permanently made to the grounding terminal (see **Figure 3**) in the field wiring compartment according to the local electrical code. The motor controller will automatically regulate the pump's speed when running on lower voltage to keep the current below 13.2A. There is no wiring change required to run the pump on 110V nominal power, the same terminals are used as with high voltage wiring.

The drive will operate on 2-phase Line-Line-Ground electrical systems as well as Line-Neutral-Ground systems. This pump must be permanently connected by a circuit breaker as specified in the local electrical code.

1. Be sure all electrical breakers and switches are turned off before wiring motor. Always wait five (5) minutes after disconnecting the power from the pump before opening or servicing the drive.
2. Choose a wire size for the pump in accordance with the current National Electrical Code and all applicable local codes and ordinances. When in doubt use a heavier gauge (larger diameter) wire. Be sure the wiring voltage is within the operating range.
3. Be sure all electrical connections are clean and tight.
4. Cut wires to the appropriate length so they do not overlap or touch when connected to the terminal board.
5. Permanently ground the motor using the ground screw located on the inside rear of the controller interface (see **Figure 3**). Use the correct wire size and type specified by the current National Electrical Code. Be sure the ground wire is connected to an electrical service ground.
6. Bond the motor to all metal parts of the pool structure and to all electrical equipment, metal conduit and metal pipping within 5 feet (1.5 M) of the inside walls of the swimming pool, spa or hot tub in accordance with the current National Electrical Code. UL requires use of a solid copper bonding conductor not smaller than 8 AWG. See **Figure 3**.

Note: For Canada, a 6 AWG or larger solid copper bonding conductor is required.

7. The pump should be permanently connected to either a circuit breaker, 2-pole timer or 2-pole relay. If AC power is supplied

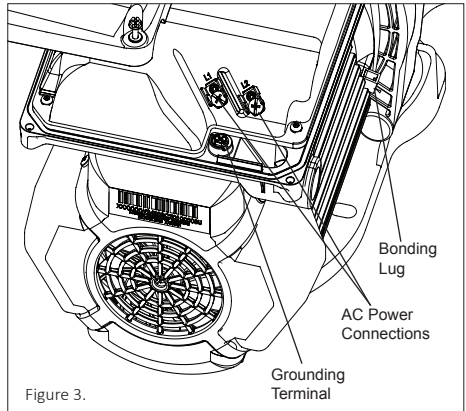


Figure 3.

The field wiring compartment has a 1/2" NPT threaded conduit port for the liquid tight fitting.

The bonding lug should be used to bond the motor frame to the equipment pad.

Control with External Control and Digital Inputs

The user can run the VS2 Variable Speed Pump with automation external controls or Pentair® ControlPro™, allowing all four programmed Speeds to be controlled remotely. The pump has a sealed connector that can be used with Pentair Data Cable (optional, P/N 353129Z) to run the Speeds using digital input signals. When there is an external low voltage signal present on the Speed Digital Input line, the pump will run the speed programmed for that Digital Input. The supplied +5V signal is the recommended input used for external control and Speed Digital Inputs.

Connecting to External Controls

Using the Supplied Low Voltage Signal for Digital Control

The VS2 provides a low voltage output signal that can be used to trigger its own Digital Inputs. This signal will need to be switched via the External Control system to engage the speed that it is connected to as in **Figure 4**. This could be an automation relay or switch in another piece of equipment. This feature could be useful for ensuring that the pump is running a certain program when a specific speed is needed to perform a task.

The wire included with the Pentair Data Cable (optional, P/N 353129Z) will need to be cut to length for the installation. Do not leave excess wire around the installation, and the wire should be supported by something rigid if conduit is not used. At one end of the cable is a custom molded, watertight connection that plugs into the panel connection on the side of the drive. The opposite end has 6 wires that are defined by **Table 1** below. When using the +5V signal supplied by the drive, the speeds should be wired as shown in **Figure 4**.

When there is a low voltage signal present on the Speed Digital Input line the pump will run the speed that is programmed for the speed that is being triggered. The +5V signal supplied via the (red) wire is the suggested input for the Speed Digital Inputs. See **Figure 4**.

Note: Any relay can be associated to any Digital Input. **Figure 4** shows one of many potential wiring options available to the installer, allowing you to install External Controls in the way that best suits your needs.

Note: This +5V Signal (red wire) is output from the drive only, and should never be wired to another power supply!

When a Speed Digital Input is triggered, the LED above the **Speed** button will begin to blink and the display will toggle between the display parameter and "EC" indicating an External Control is running. The pump will run this speed as long as the Digital Input trigger is present. This will override the schedule or any user inputs for Speed selections via the keypad. The **Display** button is still functional along with the **Start/Stop** button. Once the Digital Input trigger is removed from all of the Speed Digital Input wires, the pump will resume the programmed schedule.

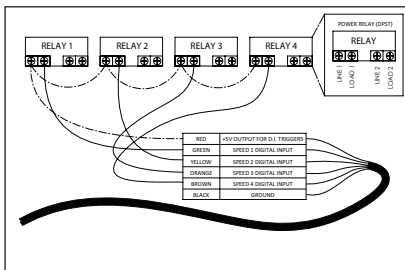


Figure 4:
External Control Kit Wiring Diagram

Definition	Signal Range	Wire Color
+5V Output for Digital Inputs	0 - 20mA	Red
Speed 1 Digital Input	0, 5 - 30V AC/DC	Green
Speed 2 Digital Input	0, 5 - 30V AC/DC	Yellow
Speed 3 Digital Input	0, 5 - 30V AC/DC	Orange
Quick Clean Digital Input	0, 5 - 30V AC/DC	Brown
Common Ground	0V	Black

Table 1:
Automation Control System Input Wiring Chart

Using an Externally Supplied Low Voltage Signal for External Control

When using an externally supplied low voltage signal as the Digital Input trigger, the wire should be connected as shown in Figure 5. The low voltage input needs to be within the range of 5-30V AC or DC. In this case the red +5V supply from the motor control will not be used.

Note: This +5V signal (red wire) is output from the drive only and should never be wired to a voltage supply!

The external low voltage signal can be regulated by switches or relays to activate the desired Digital Input. If more than one Digital Input is active at one time then they will be resolved by priority.

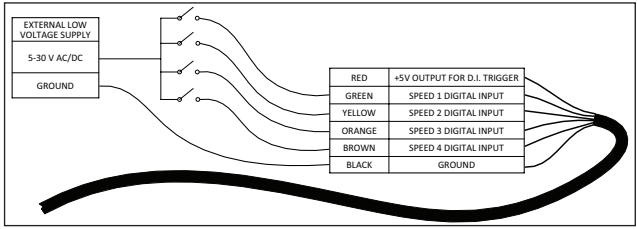


Figure 5: Low Voltage Power Supply Wiring Diagram

Note: If the pump has been stopped via the Start/Stop button, the pump will not run until the pump is turned back on by pressing the Start/Stop button. If the Start/Stop LED is illuminated, that indicates the pump is on and will run via Digital Inputs.

Note: If multiple low voltage triggers are present it will be resolved by this priority: Quick Clean, Speed 3, Speed 2, and then Speed 1.

Connecting to Pentair® ControlPro™

When looking for external controlled installation, Pentair® ControlPro™ can offer an easy solution for the whole pool set up. Speed selection will be switched by ControlPro™, via the interface. For more info, check www.pentairpoolurope.com. The connection should be made as shown in Figure 6. The correct low voltage input comes from ControlPro™, therefore the ground must be connected to the contactor. When connecting the VS2 pump to the ControlPro™, always check the ControlPro manual on www.pentairpoolurope.com.

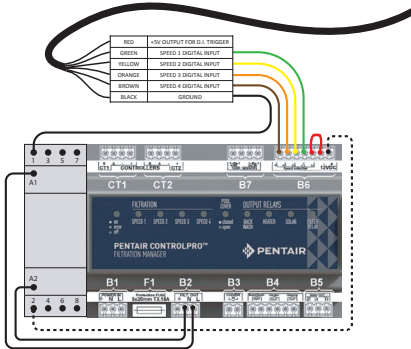


Figure 6: ControlPro Wiring Diagram

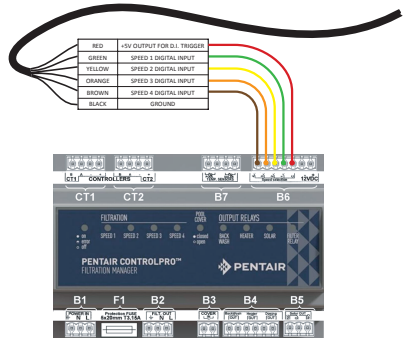


Figure 6: ControlPro+ Wiring Diagram

External Control Only Mode

External Control Only mode will only allow the pump to run from external controls/inputs. When this mode is active the programmed pump schedule is deactivated, and user speed requests from the keypad will not be accepted. If the pump is stopped a user can still program the speeds for all four Speed buttons.

To activate External Control Only mode:

1. Stop the pump by pressing the **Start/Stop** button.
2. Activate External Control Only mode by pressing and holding the **Start/Stop** button for 3 seconds.
3. If successful the LED next to Ext. Control Only will illuminate. See **Figure 7**.
4. The **Start/Stop** button must be pressed again to allow the pump to run.



Figure 7: Activating External Control Only

To deactivate External Control Only mode:

1. Stop the pump by pressing the **Start/Stop** button.
2. Deactivate External Control Only mode by pressing and holding the **Start/Stop** button for 3 seconds.
3. If successful the LED next to Ext. Control Only will turn off. See **Figure 7**.
4. The **Start/Stop** button must be pressed again to allow the pump to run.

OPERATING THE PUMP

Setting the Clock

When the pump is first plugged in, the clock will blink to indicate that it has not been set. Any daily schedule set by the user will be based on this clock setting, so it will be necessary to set the clock first.

To Set the Clock:

1. Press and hold the **Display** button for 3 seconds.
2. Use the "+" and "-" arrows to choose between a 12 or 24 hour time format.
3. Press **Display** to advance in the Clock Setup menu.
4. Use the "+" and "-" arrows to change the time to the correct time of day. In the 12 hour time format AM/PM will display in the bottom right corner.
5. Press **Display** to advance.
6. Use the "+" and "-" arrows to adjust the screen backlight brightness.
7. Press **Display** to exit the Clock Setup menu. The clock is now set.

During a power outage, the drive will retain the clock setting in memory for as long as 24 hours. If the power is out longer than 24 hours the clock will have to be set again. If the drive has lost the user set time, the clock will continuously blink until the time is reset.

Once the time is reset the clock will stop blinking.

Note: When power is returned to the pump after a prolonged outage (24+ hours) the clock will automatically set itself to the Speed 1 start time, blink and advance. The pump will also run the associated schedule from that start time.

Using the Default Schedule

The default schedule is designed to provide enough daily turnover to service a typical pool. See **Table 2** for default schedule.

	Duration (Hours)	Speed (RPM)
SPEED 1	2	3000
SPEED 2	10	1400
SPEED 3	2	2200

Table 2: Default Schedule.

SPEED 1 is set to begin at 8:00am and run at 3000 RPM for a duration of 2 hours. When SPEED 1 is complete the pump immediately begins running the default SPEED 2. SPEED 2 is factory default to 1400 RPM and will last for 10 hours. When SPEED 2 has completed its run the pump will run SPEED 3 at 2200 RPM for a duration of two hours.

After 14 hours of run time and completing its run of SPEED 3, the pump will enter a stationary/paused state for the next 10 hours. The pump will restart at 8:00am the next morning and cycle through the default schedule again. The pump will continue to run in this manner until a custom schedule is programmed into the drive by the user.

Note: The **Start/Stop** button must be pressed, and the LED lit, for the pump to run.

Custom Schedules

To customize the run schedule for your VS2 Variable Speed Pump, the pump must be stopped. Be sure that the **Start/Stop** button LED is not illuminated.

Programming a Custom Schedule:

Note: When programming, the LED light next to the parameter (“Speed”, “Time” and “Duration”) you are setting will blink.

1. Stop the pump if it is running by pressing the **Start/Stop** button.
2. Press the “1” button. The LED above the selected SPEED will begin to blink and the “Speed” parameter LED will blink while editing. See **Figure 8**.



Figure 8: Setting Speed

3. Use the “+” and “-” arrows to adjust the speed in RPM for SPEED 1.

Note: Speed is adjusted up or down by increments of 10 RPM.

4. Press the “1” button again and the display will change to SPEED 1 start time. The “Time” parameter LED will begin to blink. See **Figure 9**.



Figure 9: Setting Start Time

5. Use the “+” and “-” arrows to adjust the daily start time for SPEED 1.
6. Press the “1” button again and the display will change to SPEED 1 duration. The “Duration” parameter LED will begin to blink. See **Figure 10**.



Figure 10: Setting Duration

7. Use the “+” and “-” arrows to adjust the duration for SPEED 1 in hours and minutes.

Note: The duration parameter is adjusted in 15 minute increments.

8. Pressing the “1” button will continue to cycle through these parameters, but the changes are immediately saved as they are adjusted.
9. Press the “2” button. The LED above SPEED 2 will begin to flash and the corresponding parameter LED will flash while editing.
10. Use the “+” and “-” arrows to adjust the speed in RPM for SPEED 2.
11. Press the “2” button again and the display will change to SPEED 2 duration.

Note: SPEEDs 2 and 3 do not have a start time, as they begin their duration immediately after the previous SPEED finishes.

12. Use the “+” and “-” arrows to adjust the duration for SPEED 2 in hours and minutes.
13. Repeat steps 9-12 to program SPEED 3 and QUICK CLEAN.

Note: Remember that the duration allowed for SPEED 3 will be limited to the remaining time in a 24 hour day. Any time in the 24 hour day not programmed into SPEEDs 1-3, the pump will remain in a stationary state.

[SPEED 1 + SPEED 2 + SPEED 3 ≤ 24 Hours]

14. Press the **Start/Stop** button and ensure the LED is lit. The pump is now on and will run the custom user-programmed

schedule.

Note: If the pump has been stopped via the **Start/Stop** button, the pump will not run until the pump is turned back on by the **Start/Stop** button. If the **Start/Stop** LED is illuminated then the pump is on and will run the programmed schedule.

Note: If a user wants to have a period of time during the day when the pump is not running, any of the SPEEDs can be programmed to 0 RPM. This will cause the pump to remain stationary/paused throughout the duration of that SPEED.

Speed Priorities (Non-External Control)

For schedule duration settings, SPEEDs are prioritized as follows: SPEED 1-> SPEED 2-> SPEED 3. SPEED 1 is the highest priority, while SPEED 3 is the lowest.

The drive will not allow a user to program a schedule of more than 24 hours. When the 24th hour of duration is programmed it will take time from the lower priority speeds in order to add them to the SPEED currently being adjusted.

Example:

Starting Schedule (Before Adjustment)

SPEED 1 duration = 20 hours
SPEED 2 duration = 2 hours
SPEED 3 duration = 2 hours

If the user reprograms SPEED 1 to run for 23 hours, SPEED 2 (lower priority speed) will automatically adjust to a 1 hour duration and SPEED 3 (lowest priority speed) will adjust to a 0 hour duration.

End Schedule (After Adjustment)

SPEED 1 duration = 23 hours
SPEED 2 duration = 1 hour
SPEED 3 duration = 0 hours

- **Watts** — amount of watts currently being consumed

Pressing any of the Speed Buttons (“1”, “2”, “3”, “Quick Clean”) while the pump is running will act as temporary override. It will run the speed and duration that is programmed for that button. Once completed it will default back to the appropriate point in the programmed schedule.

Note: If you adjust the speeds of the schedule while the pump is running, it will run the adjusted speed for the rest of the current duration, but will not save the adjustments. **Exception: Speed and Duration adjustments to QUICK CLEAN will always be immediately saved.**

Quick Clean

If running Quick Clean, pressing the “+” or “-” arrows will change the speed accordingly. Pressing the **Quick Clean** button again within 10 seconds of pressing the “+” or “-” arrows will allow you to adjust the duration of Quick Clean via the “+” and “-” arrows. These changes will be saved immediately and are the new defaults for Quick clean. Pressing the **Quick Clean** button again will cycle through the two Quick Clean settings. The pump will exit out of editing mode if no additional buttons are pressed within 10 seconds.

If Quick Clean is running and you wish to stop the Quick Clean prior to the duration being completed you can press and hold the **Quick Clean** button for 3 seconds and the pump will return to the appropriate point in the programmed schedule.

CAUTION

Some speeds might cause resonance and noise coming from the pump in specific installations. This can be solved by slightly modifying the speed.

Operating the Pump While Running

CAUTION

If power is connected to the pump motor, pressing any of the following buttons referred to in this section could result in the motor starting. Failure to recognize this could result in personal injury or damage to equipment.

Pressing the **Display** button will cycle through the current parameters.

- **Speed** — current run speed
- **Time** — current time of day
- **Duration** — amount of time remaining at the current run speed

Priming

CAUTION

This pump is shipped with Priming mode ENABLED. Unless the Priming settings are changed in the menu, **be aware that the pump will speed up to the priming speed when the pump is powered on for the first time, and the start/stop button is pressed.**

Before turning the pump ON, be sure the following conditions are met:

1. Open filter air relief valve.
2. Open valves.
3. Pool return is completely open and clear of any blockages.
4. Water in the pump basket.
5. Stand clear of the filter or other pressurized vessels.

CAUTION

DO NOT run the pump dry. If the pump is run dry, the mechanical seal will be damaged and the pump will start leaking. If this occurs, the damaged seal must be replaced. ALWAYS maintain proper water level in your pool (half way up skimmer opening). If the water level falls below the skimmer opening, the pump will draw air through the skimmer, losing the prime and causing the pump to run dry, resulting in a damaged seal. Continued operation in this manner could cause a loss of pressure, resulting in damage to the pump case, impeller and seal and may cause property and personal injury.

Priming will automatically run when the VS2 Variable Speed Pump is started from a stopped state, except when running in Quick Clean mode. Priming will run at 2850 RPM by default, and will last for 5 minutes. The drive's screen will display and cycle through the following things "Pr1 - Priming Speed, Pr1 -- Remaining Time".

Once priming has begun, the speed can be adjusted between 3450 and 1700 RPM using the "+" and "-" arrows. If it is adjusted below 1700 RPM, Priming mode will be disabled and the pump will immediately begin to run the scheduled speed.

When priming is disabled and the pump is started from a stopped state, the screen will display, "Pr1 - OFF" for 10 seconds while running the scheduled speed (See **Figure 11**). This allows the user time to enable priming mode by pressing the "+" arrow. If the user chooses to re-enable priming mode, the pump will then transition from the scheduled speed to 1700 RPM. The user can increase the priming speed from 1700 RPM by pressing the "+" arrow. The 5 minute priming countdown timer starts when priming is first engaged.

The installer should set the priming speed to be sufficient for priming the pump from a fresh install, but not so fast that there is a substantial waste of energy during the 5 minute priming window. The time the pump needs to achieve prime can change based on local environmental conditions such as water temperature, atmospheric pressure, and your pool's water level. All of these things should be taken into consideration when setting the priming speed, however in most cases the pump will not need to run at 2850 RPM to successfully prime itself.

Please test and verify chosen priming speeds more than once, letting the water drain from the system in between each test.

Note: The pump strainer basket should always remain full to the bottom of the inlet in order to prevent air from entering the system.

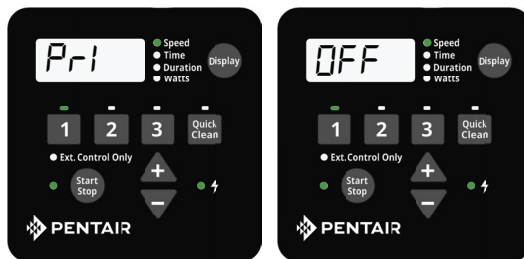


Figure 11: Priming Deactivation

Quick Clean

The VS2 Variable Speed Pump is equipped with a Quick Clean feature, which can be engaged to temporarily run at higher or lower speeds ranging between 300 to 3450 RPM. Once the Quick Clean duration has elapsed, the pump will automatically return to the programmed schedule.

Programming Quick Clean:

1. Stop the pump if it is running by pressing the **Start/Stop** button.
2. Press the **Quick Clean** button. The LED above the **Quick Clean** button and the "Speed" parameter LED will flash while editing. See **Figure 12**.



Figure 12: Setting Speed for Quick Clean

3. Use the "+" and "-" arrows to adjust the speed in RPM for Quick Clean.
4. Press the **Quick Clean** button again and the display will change to Quick Clean duration. The "Duration" parameter LED will flash while editing. See **Figure 13**.
Note: The Quick Clean feature does not have a start time.



5. **Figure 13: Setting Duration for Quick Clean** in hours and minutes for Quick Clean.
6. Press the **Start/Stop** button and ensure the LED is illuminated. The pump is now on and will run the speed and duration set for Quick Clean.

Note: When the Quick Clean duration ends, the pump resumes the 24 hour schedule at the point where it normally would be running at that time. The Quick Clean duration will not affect the start or stop times of the 24 hour schedule. For example, if Quick Clean runs during a period overlapping with a later part of SPEED 1 and an early part of SPEED 2, the start time of SPEED 3 is not affected.

Note: Pressing/Holding Quick Clean key for more than three (3) seconds will cancel Quick Clean mode.

Note: During the Quick Clean mode, the pump will not start with the priming sequence.

Note: It is recommended that you do not set the Quick Clean duration to 0 HRS. Setting the Quick Clean duration to 0 HRS will not allow you to change the duration setting while the motor is running. The motor will have to be stopped in order to change the Quick Clean settings if the duration is set to 0 HRS.

Keypad Lockout

CAUTION

Key lockout will not prevent the motor from being stopped by pressing the Start/Stop button. It will then be unable to be restarted until the keypad has been unlocked. If the motor is operating in Keypad Lockout mode, and being controlled through external controls, it can only run when the Start/Stop LED is illuminated.

The VS2 Variable Speed Pump user interface has a Keypad Lockout feature to prevent unwanted changes to the settings. When locked, the keypad will only accept input from pressing the **Display** button to cycle the displayed information on the screen and input to stop the motor from a press of **Start/Stop** button.

The keypad can be locked by pressing and holding the "1" button and the **Quick Clean** button at the same time for at least three seconds. "Loc On" will be displayed if successful.

To unlock the keypad press and hold the "1" button and the **Quick Clean** button at the same time for at least three seconds. "Loc OFF" will be displayed if successful.

Note: While operating in Keypad Lockout mode the motor can still be stopped by pressing the **Start/Stop** button. However, the motor can not be started again until the user unlocks the keypad.

Factory Reset

The drive can be reset to factory settings if necessary. A Factory Reset will wipe out all of the saved user settings that have been programmed, except for the time of day. Be sure that it is necessary before performing a Factory Reset, as the results are immediate.

To perform a Factory Reset:

1. Stop the pump if necessary by pressing the **Start/Stop** button.
2. Record all of the custom schedule settings using **Table 3**. You can find these settings by pressing the “1”, “2”, “3”, and “**Quick Clean**” buttons and cycling through all the screens. Also write down the Priming Speed.
3. Press and hold the “1”, “2”, “3”, and “**Quick Clean**” buttons for 3 seconds.
4. The screen will display “FACT rSt” if factory reset is successful. See **Figure 14**.
5. Be sure to reprogram the schedule and priming speed after the factory reset. The pump must be turned back on with the **Start/Stop** button before it will run again. The pump will run the programmed schedule upon initial start-up.

Note: Factory Reset can not be performed from a Keypad Lockout state.



Figure 14: Drive Factory Reset

	Speed (RPM)	Duration (Hours)	Start Time (Time Clock)
SPEED 1			
SPEED 2			
SPEED 3			
QUICK CLEAN			
Priming Speed			

Table 3: User Programmed Schedules

WARNING

DO NOT open the strainer pot if VS2 Variable Speed Pump fails to prime or if pump has been operating without water in the strainer pot. Pumps operated in these circumstances may experience a build up of vapor pressure and may contain scalding hot water. Opening the pump may cause serious personal injury. In order to avoid the possibility of personal injury, make sure the suction and discharge valves are open and strainer pot temperature is cool to touch, then open with extreme caution.

CAUTION

To prevent damage to the pump and for proper operation of the system, clean pump strainer and skimmer baskets regularly.

Pump Strainer Basket

The pump strainer basket (or 'strainer pot', 'hair and lint pot'), is located in front of the volute. Inside the chamber is the basket which must be kept clean of leaves and debris at all times. View basket through the 'See Through Lid' to inspect for leaves and debris.

Regardless of the length of time between filter cleaning, it is most important to visually inspect the basket at least once a week.

Cleaning the Pump Strainer Basket

1. Press the **Start/Stop** button to stop the pump and turn off the pump at the circuit breaker.
2. Relieve pressure in the system by allowing the water to cool.
3. Gently tap the clamp in a counter-clockwise direction to remove the clamp and lid.
4. Remove debris and rinse out the basket. Replace the basket if it is cracked.
5. Put the basket back into the housing. Be sure to align the notch in the bottom of the basket with the rib in the bottom of the volute.
6. Fill the pump pot and volute up to the inlet port with water.
7. Clean the cover, O-ring, and sealing surface of the pump pot. **Note:** It is important to keep the lid O-ring clean and well lubricated.
8. Reinstall the lid by placing the lid on the pot. Be sure the lid O-ring is properly placed. Seat the clamp and lid on the pump then turn clockwise until the handles are horizontal.
9. Turn the power on at the house circuit breaker. Reset the pool time clock to the correct time, if applicable.
10. Open the manual air relief valve on top of the filter.
11. Stand clear of the filter. Start the pump.
12. Bleed air from the filter until a steady stream of water comes out. Close the manual air relief valve.

Winterizing

You are responsible for determining when freezing conditions may occur. If freezing conditions are expected, take the following steps to reduce the risk of freeze damage. **Freeze damage is not covered under warranty.**

To prevent freeze damage, follow the procedures below:

1. Press the **Start/Stop** button to stop the pump and shut off electrical power for the pump at the circuit breaker.
2. Drain the water out of the pump housing by removing the two thumb-twist drain plugs from the housing. Store the plugs in the pump basket.
3. Cover the motor to protect it from severe rain, snow and ice.

Note: Do not wrap motor with plastic or other air tight materials during winter storage. The motor may be covered during a storm, winter storage, etc., but never when operating or expecting operation.

Note: In mild climate areas, when temporary freezing conditions may occur, run your filtering equipment all night to prevent freezing.

WARNING

THIS SYSTEM OPERATES UNDER HIGH PRESSURE. When any part of the circulating system (e.g., Lock Ring, Pump, Filter, Valves, etc.) is serviced, air can enter the system and become pressurized. Pressurized air can cause the lid to separate which can result in serious injury, death, or property damage. To avoid this potential hazard, follow above instructions.

SERVICING

⚠️ WARNING Always disconnect power to the VS2 Variable Speed Pump at the circuit breaker and disconnect the communication cable before servicing the pump. Failure to do so could result in death or serious injury to service people, users or others due to electric shock. Read all servicing instructions before working on the pump.

⚠️ WARNING **DO NOT** open the strainer pot if pump fails to prime or if pump has been operating without water in the strainer pot. Pumps operated in these circumstances may experience a build up of vapor pressure and may contain scalding hot water. Opening the pump may cause serious personal injury. In order to avoid the possibility of personal injury, make sure the suction and discharge valves are open and strainer pot temperature is cool to touch, then open with extreme caution.

⚠️ CAUTION Be sure not to scratch or mar the polished shaft seal faces; seal will leak if faces are damaged. The polished and lapped faces of the seal could be damaged if not handled with care.

Electric Motor Care

Protect from heat

1. Shade the motor from the sun.
2. Any enclosure must be well ventilated to prevent overheating.
3. Provide ample cross ventilation.

Protect against dirt

1. Protect from any foreign matter.
2. Do not store (or spill) chemicals on or near the motor.
3. Avoid sweeping or stirring up dust near the motor while it is operating.
4. If a motor has been damaged by dirt it may void the motor warranty.
5. Clean the lid and clamp, O-ring, and sealing surface of the pump pot.

Protect against moisture

1. Protect from splashing or sprayed water.
2. Protect from extreme weather such as flooding.
3. If motor internals have become wet - let them dry before operating. Do not allow the pump to operate if it has been flooded.
4. If a motor has been damaged by water it may void the motor warranty.

Shaft Seal Replacement

The Shaft Seal consists primarily of two parts, a rotating member and a ceramic seal.

The pump requires little or no service other than reasonable care, however, a Shaft Seal may occasionally become damaged and must be replaced.

Note: The polished and lapped faces of the seal could be damaged if not handled with care.

Pump Disassembly

All moving parts are located in the rear sub-assembly of this pump.

Tools required:

- 1/4 inch socket or open end wrench.
- 3/8 inch socket or open end wrench.
- 9/16 inch open end wrench.
- 1/4 inch Allen Key
- Flat blade screwdriver.

To remove and repair the motor subassembly, follow the steps below:

1. Press the **Start/Stop** button to stop the pump and turn off the pump circuit breaker at the main panel.
2. Drain the pump by removing the drain plugs.
3. Remove the 4 bolts that hold the main pump body (strainer pot/volute) to the rear sub-assembly.
4. GENTLY pull the two pump halves apart, removing the rear sub-assembly.
5. Remove the three hex head screws holding the diffuser in position.
6. Hold the impeller securely in place and remove the impeller lock screw by using a flat blade screwdriver or wrench. The screw is a left-handed thread and loosens in a clockwise direction.
7. To unscrew the impeller from the shaft, insert a 1/4 inch Allen key into the center of the motor fan cover and twist the impeller counter-clockwise.
8. Remove the four bolts from the seal plate to the motor using a 9/16 inch wrench.
9. Place the seal plate face down on a flat surface and tap out the ceramic seal.
10. Clean the seal plate, seal housing, and the motor shaft.

⚠️ CAUTION **DO NOT run the pump dry.** If the pump is run dry, the mechanical seal will be damaged and the pump will start leaking. If this occurs, the damaged seal must be replaced. ALWAYS maintain proper water level. If the water level falls below the suction port, the pump will draw air through the suction port, losing the prime and causing the pump to run dry, resulting in a damaged seal. Continued operation in this manner could cause a loss of pressure, resulting in damage to the pump case, impeller and seal and may cause property damage and personal injury.

Pump Reassembly

1. When installing the replacement seal into the seal plate, use soapy water to wet the rubber boot before pressing it into the seal plate.
2. Remount the seal plate to the motor.
3. Before installing the rotating portion of the seal on the motor shaft, wet the motor shaft with soapy water and slide the seal onto the motor shaft. Ensure that the carbon face contacts the ceramic face of the stationary seat. Press the seal into the seal plate with your thumbs and wipe off the ceramic with a clean cloth.
4. Screw impeller onto the motor shaft (clockwise to tighten).
5. Screw in the impeller lock screw (counter-clockwise to tighten).

Note: Insert a 1/4" hex Allen wrench into the motor shaft through the hole in the rear motor fan cover. This will prevent the motor shaft from rotating and you screw in the impeller lock screw.

6. Remount the diffuser onto the seal plate. Make sure the plastic pins and holding screw inserts are aligned.
7. Grease the diffuser quad ring and seal plate O-ring prior to reassembly.
8. Assemble the motor sub-assembly to the strainer pot-pump body. Tighten the bolts until all 4 bolts are in place and finger tightened.
9. Fill the pump with water.
10. Reinstall the pump lid and plastic clamp; see the next section, 'Restart Instructions'.
11. Re-prime the system.

Restart Instructions

If VS2 Variable Speed Pump is installed below the water level of the pool, close return and suction lines prior to opening hair and lint pot on pump. Make sure to re-open valves prior to operating.

Priming the Pump

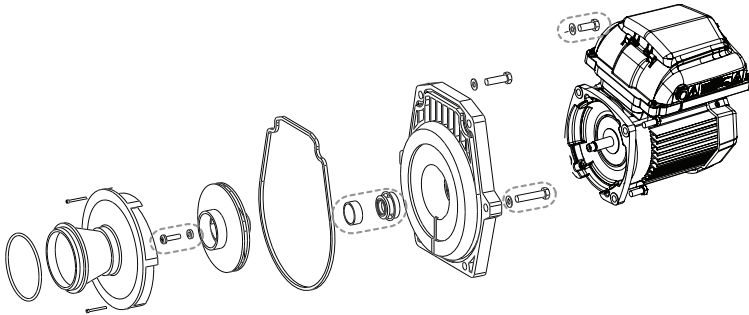
The pump strainer pot must be filled with water before the pump is initially started.

Follow these steps to prime the pump:

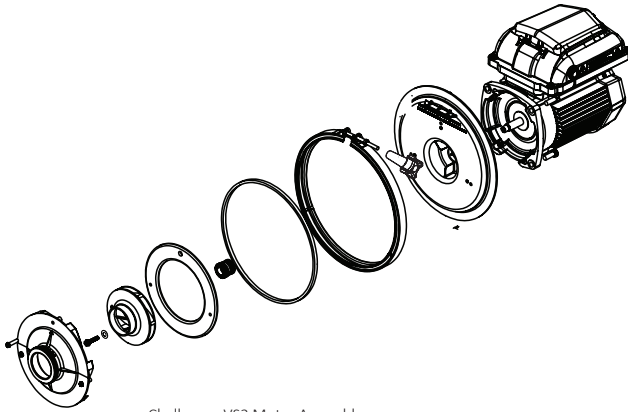
1. Remove the pump lid plastic clamp. Remove the pump lid.
2. Fill the pump strainer pot with water.
3. Reassemble the pump cover and plastic clamp onto the strainer pot. The pump is now ready to prime.
4. Open the air release valve on the filter, and stand clear of the filter.
5. Turn on the power to the pump.
6. Press the **Start/Stop** button on the drive keypad. If the pump is currently scheduled to run it will start.

Note: If the pump is not schedule to start, press a **Speed** button to begin a manual override that will start the pump.

7. When water comes out of the air release valve, close the valve. The system should now be free of air and recirculating water to and from the pool.



Whisperflo VS2 Motor Assembly



Challenger VS2 Motor Assembly

TROUBLESHOOTING

WARNING

Diagnosing certain symptoms may require close interaction with, or in close proximity to, components that are energized with electricity. Contact with electricity can cause death, personal injury, or property damage. When trouble shooting the pump, diagnostics involving electricity should be cared for by a licensed professional.

Problem	Possible Cause	Corrective Action
Pump failure.	<p>Pump will not prime- Air leak, too much air.</p> <p>Pump will not prime- Not enough water.</p> <p>Pump strainer gasket is clogged.</p> <p>Pump strainer gasket is defective.</p>	<p>Check suction piping and valve glands on any suction gate valves. Secure lid on pump strainer pot and be sure lid gasket is in place. Check water level to be sure skimmer is not drawing air.</p> <p>Be sure the suction lines, pump, strainer, and pump volute are full of water. Be sure valve on suction line is working and open (some systems do not have valves). Check water level to make sure water is available through skimmer.</p> <p>Clean pump strainer pot.</p> <p>Replace gasket.</p>
Reduced capacity and/or head.	<p>Air pockets or leaks in suction line.</p> <p>Clogged impeller.</p> <p>Pump strainer clogged.</p>	<p>Check suction piping and valve glands on any suction gate valves. Secure lid on pump strainer pot and be sure lid gasket is in place. Check water level to be sure skimmer is not drawing air.</p> <p>Turn off electrical power to the pump. Disassemble (see page 14, 'Pump Disassembly')</p> <p>Clean debris from impeller. If debris cannot be removed, complete the following steps:</p> <ol style="list-style-type: none"> 1. Remove left hand thread anti-spin bolt and o-ring. 2. Remove, clean, and reinstall impeller. <p>Reassemble (see page 15, 'Pump Reassembly')</p> <p>Clean suction trap.</p>

Troubleshooting (Cont.)

Pump fails to start.	<p>Mains Voltage is not present</p> <p>Pump shaft is locked</p> <p>Pump shaft is damaged</p>	<p>1. Replace fuse, reset breaker/GFCI. 2. Tighten mains wire connections.</p> <p>Check if the pump can be rotated by hand and remove any blockage.</p> <p>Replace pump.</p>
Pump runs then stops.	<p>Over temperature FAULT</p> <p>Over current FAULT</p>	<p>Check that back of pump is free from dirt and debris. Use compressed air to clean.</p> <p>Pump will automatically restart after one (1) minute.</p>
Pump is noisy.	<p>Debris in contact with fan</p> <p>Debris in strainer basket</p> <p>Loose mounting</p>	<p>Check that back of pump is free from dirt and debris. Use compressed air to clean.</p> <p>Clean strainer basket.</p> <p>Check that mounting bolts of pump and pump are tight.</p>
Problem	Possible Cause	Corrective Action
Pump runs without flow.	<p>Impeller is loose</p> <p>Air leak</p> <p>Clogged or restricted plumbing</p>	<p>Check that pump is spinning by looking at fan on back of VS2 Variable Speed Pump. If so, check that pump impeller is correctly installed.</p> <p>Check plumbing connections and verify they are tight.</p> <p>Check for blockage in strainer or suction side piping.</p> <p>Checked for blockage in discharge piping including partially closed valve or dirty pool filter.</p>

Errors and Alarms

If an alarm is triggered the drive's LCD screen will display the fault code text and the VS2 Variable Speed Pump will stop running. Disconnect power to the pump and wait until the keypad LEDs have all turned off. At this point, reconnect power to the pump. If the error has not cleared then proper troubleshooting will be required. Use the error description table below to begin troubleshooting.

Fault Code	Description
21	Communication link between HMI and motor control has been lost
1A	Power Module over current detected
17	Phase Current Offset out of range
1b	Phase Current Imbalance detected
0F	Absolute AC under voltage detected
02	Absolute Phase current limit exceeded
08	Absolute Diode Bridge temperature limit exceeded
04	Absolute Power Module temperature limit exceeded
06	Absolute Power Factor Correction (PFC) temperature limit exceeded
09	DC bus over voltage detected
0A	DC bus under voltage detected

21 – Communication Link between the HMI and Motor control has been lost: Check the jacketed wire on the back side of the keypad inside the drive top cover. Ensure that the 5 pin connector is properly plugged into the socket and that there is no damage to the cable.

1A – Power Module over current detected: If this error displays multiple times, then there may be a problem with the pump's rotating assembly. Please disassemble the pump and investigate to see if there is a problem with the impeller or mechanical seal. See page 14 "Pump Disassembly" for instructions for disassembling the pump.

0F – Absolute AC Under Voltage Detected: This indicates that the supply voltage has dropped below the operating range of 99v. This could be caused by normal voltage variation and will clear itself. Otherwise there could be excess voltage sag caused by improper installation or improper supply voltage.

17, 1b, 02, 08, 04, 06, 09, 0A – Internal Errors: These errors can occur based on operating conditions and the UL 60730 required self-diagnostic safety software. If they do not clear after multiple restart attempts the drive should undergo a hard power cycle. Disconnect main power by turning off the breaker long enough for the keypad LEDs to turn off. After power is reconnected if one of these errors continues to reappear, the drive may need service.

Pump Specifications

Overall Ratings

Input Voltage	115-230 Vrms nominal
Input Current	13.2/12.0-11.5 A
Input Frequency	Single phase, 50 or 60 Hz
Control Terminals	18-30V AC (24V AC +/- 20%) or 9-30V DC (12/24V DC +/- 20%)
Maximum Continuous Load	2.0 THP (Total Horse Power)
Speed Range	300 - 3450 RPM
Environmental Rating	NEMA Type 3
Ambient Conditions	
Storage	-40°C to +85°C (-40°F to +185°)
Operating	0°C to +50°C (+32°F to +122°F)
Humidity	Relative 0 to 95 % non-condensing

WICHTIGE WARNHINWEISE UND SICHERHEITSAUSWEISUNGEN FÜR DIE PUMPE



WICHTIGER HINWEIS

Diese Anleitung enthält Installations- und Bedienungsanweisungen für die VS2 Pumpe mit drehzahlvariablem Antrieb. Wenden Sie sich an Pentair, wenn Sie Fragen zu diesem Gerät haben.

Achtung Installateur: Diese Anleitung enthält wichtige Informationen zur Montage, zum Betrieb und zur sicheren Benutzung dieses Produkts. Diese Unterlagen müssen nach der Installation der Wärmepumpe an den Besitzer und/oder den Betreiber dieses Geräts weitergegeben oder in der Nähe der Pumpe aufbewahrt werden.

Achtung Benutzer: Dieses Handbuch enthält wichtige Informationen für den Betrieb und die Wartung dieses Produkts. Bitte bewahren Sie es für zukünftige Einsichtnahme auf. Warnhinweise und Sicherheitsanweisungen für Pumpen und weiteres Zubehör von Pentair Aquatic Systems sind erhältlich unter: Auf <http://www.pentairpool.com/pool-owner/safety-warnings/> können Sie kostenlos weitere Exemplare dieser Anweisungen anfordern.

LESEN UND BEFOLGEN SIE ALLE ANWEISUNGEN BEWAHREN SIE DIESE ANWEISUNGEN AUF



Dies ist das Sicherheitswarnsymbol. Wenn Sie dieses Symbol in Ihrem System oder im Handbuch sehen, achten Sie auf eines der folgenden Signalwörter und berücksichtigen Sie die Möglichkeit einer Verletzung.



Warn vor Gefahren, die zum Tod, schweren Verletzungen oder erheblichen Sachschäden führen können, wenn sie ignoriert werden.



Warn vor Gefahren, die zum Tod, schweren Verletzungen oder erheblichen Sachschäden führen könnten, wenn sie ignoriert werden.



Warn vor Gefahren, die zu leichten Verletzungen oder kleineren Sachschäden führen können oder könnten, wenn sie ignoriert werden.

HINWEIS Weist auf besondere Anweisungen hin, die keine Gefahr darstellen.

Lesen Sie alle Sicherheitsanweisungen in diesem Handbuch und auf dem Gerät sorgfältig durch und befolgen Sie sie. Achten Sie auf einen guten Zustand der Sicherheitsaufkleber und ersetzen Sie diese, wenn sie fehlen oder beschädigt sind.

Bei der Installation und der Verwendung dieses Elektrogeräts müssen stets grundlegende Sicherheitsvorkehrungen getroffen werden. Dazu gehören unter anderem:

WARNING Kinder dürfen dieses Produkt nicht benutzen!

WARNING GEFAHR EINES STROMSCHLAG. Nur an einen durch einen Fehlerstromschutzschalter (FI) abgesicherten Nebenstromkreis anschließen. Wenden Sie sich an einen qualifizierten Elektriker, wenn Sie nicht sicher sind, ob der Stromkreis durch einen FI geschützt ist.

WARNING Das Gerät darf nur an einen Stromkreis angeschlossen werden, der durch einen Fehlerstromschutzschalter (FI) abgesichert ist. Ein solcher FI-Schalter muss vom Installateur bereitgestellt und regelmäßig getestet werden. Drücken Sie zum Testen des FIs die Prüftaste. Der FI muss die Stromversorgung unterbrechen. Drücken Sie die Rückstellaste. Die Stromzufuhr muss wiederhergestellt werden. Wenn der FI nicht auf diese Weise funktioniert, ist er defekt. Unterbricht der FI die Stromzufuhr zur Pumpe, ohne dass die Prüftaste gedrückt wurde, fließt ein Erdstrom, was auf die Möglichkeit eines Stromschlags hinweist. Verwenden Sie die Pumpe nicht. Trennen Sie die Pumpe vom Stromkreis und lassen Sie das Problem durch einen qualifizierten Wartungstechniker beheben, bevor Sie die Pumpe verwenden.

CAUTION Diese Pumpe ist für den Einsatz von ganzjährigen Pools vorgesehen und kann auch bei Warmwannen und Schwimmbädern verwendet werden, insofern dies angegeben ist. Benutzen Sie sie nicht für lagerbare Pools. Ein fest installierter Pool wird in den Boden eingelassen, auf den Boden aufgestellt oder in ein Gebäude eingebaut, so dass er nicht ohne Weiteres zerlegt werden kann, um gelagert zu werden. Ein lagerbarer Pool ist so konstruiert, dass er zur Lagerung zerlegt und wieder vollständig zusammengebaut werden kann.

Allgemeine Warnhinweise

- Öffnen Sie auf keinen Fall das Gehäuse des Antriebsmotors. Es gibt eine Kondensatorbatterie, die mit 230 VAC aufgeladen ist, auch wenn keine Spannung anliegt.
- Die Pumpe ist kein Tauchpumpe.
- Die Pumpe ist für hohe Durchflussraten geeignet. Aus diesem Grund ist bei der Installation bzw. Programmierung Vorsicht geboten, wenn alte oder zweifelhafte Ausrüstungen zur Begrenzung des Leistungspotenzials der Pumpe verwendet werden.
- Die Vorschriften für den elektrischen Anschluss sind von Land zu Land unterschiedlich. Installieren Sie die Ausrüstung nach Maßgabe des aktuellen National Electrical Code und allen vor Ort geltenden Vorschriften und Verordnungen.
- Schalten Sie vor der Wartung der Pumpe die Stromversorgung AB, indem Sie die Hauptstromversorgung der Pumpe unterbrechen.
- Dieses Gerät ist nicht für Personen (einschl. Kinder) mit eingeschränkten physischen, sensorischen oder mentalen Fähigkeiten, mangelnder Erfahrung und Kenntnis gedacht, es sei denn, sie werden beaufsichtigt oder haben durch eine für ihre Sicherheit verantwortliche Person eine Einweisung im Gebrauch des Geräts erhalten.
- Ausreichenden Potentialausgleich (empfohlen mind. 4.5mm²), in Übereinstimmung mit örtlichen Vorschriften, ist zwischen alle Metallteile des Beckens einschließlich der Schwimmbadpumpe erforderlich. Dies ist notwendig für die elektrische Sicherheit, als auch hinsichtlich der Verringerung des Risikos von Korrosion.

DANGER DIE NICHTBEACHTUNG DIESER ANWEISUNGEN UND WARNUNGEN KANN ZU SCHWEREN KÖRPERLICHEN VERLETZUNGEN ODER ZUM TOD FÜHREN. DIESE PUMPE DARF NUR VON EINEM QUALIFIZIERTEN POOL-SERVICETECHNIKER MONTIERT UND GEWARTET WERDEN. MONTEURE, POOL-BETREIBER UND -BESITZER MÜSSEN DIESE WARNHINWEISE UND ALLE ANWEISUNGEN IM HANDBUCH LESEN, BEVOR SIE DIESE PUMPE BENUTZEN. DIESE WARNHINWEISE UND DAS HANDBUCH MÜSSEN BEIM POOL-BESITZER VERBLEIBEN.

DANGER ANSAUGGEFAHR: HALTEN SIE SICH VOM HAUPTAUSLAUF UND VON ALLEN ANSAUGÖFFNUNGEN FERN!



DIESE PUMPE HAT EINE HOHE SAUGKRAFT UND ERZEUGT EIN STARKES VAKUUM AM HAUPTABFLUSS UNTEN IM WASSER. DIESE SAUGWIRKUNG IST SO GROSS, DASS ERWACHSENE ODER KINDER UNTER WASSER GEZOGEN WERDEN KÖNNEN, WENN SIE IN DIE NÄHE EINES ABFLUSSES ODER EINER LOSEN ODER GEBROCHENEN ABFLUSSABDECKUNG ODER EINES LOSEN ODER BESCHÄDIGTEN GITTERS KOMMEN.

DANGER GEFAHR EINES STROMSCHLAGS ODER ELEKTROSCHOCKS: PUMPEN BENÖTIGEN EINE HOHE SPANNUNG, DIE ZU SCHOCK, VERBRENNUNGEN ODER ZUM TOD FÜHREN KANN. VOR DER DURCHFÜHRUNG VON ARBEITEN AN DER PUMPE! Schalten Sie die Poolpumpe vor Durchführung von Wartungsarbeiten immer am Leistungsschalter der Pumpe aus. Die Nichtbeachtung dieser Anweisung kann einen Stromschlag bewirken und zum Tod oder zu schweren Verletzungen von Servicetechnikern, Poolbenutzern oder anderen Personen führen.

DIE VERWENDUNG NICHT ZUGELASSENER ABFLÜSSE ODER DIE GESTALTUNG DER BENUTZUNG DES POOLS ODER SPAS OHNE ABDECKUNG ODER MIT GERISSENEN ODER GEBROCHENEN ABDECKUNGEN KANN ZUM ANSAUGEN DES KÖRPERS ODER VON KÖRPERTEILEN, ZUM VERFANGEN VON HAAREN, HERAUSREISSEN VON GEDÄRMEN UND/ ODER ZUM TOD FÜHREN.

Der Sog am Auslauf oder Auslass kann Folgendes bewirken:

Ansaugen von Körperteilen: Wenn ein Körperteil in eine Öffnung gesaugt oder gesteckt wird, bleibt es mechanisch stecken oder schwillt an. Diese



WICHTIGE WARNHINWEISE UND SICHERHEITSHINWEISE FÜR DIE PUMPE

Gefahr besteht, wenn eine Abflussabdeckung fehlt, gebrochen, lose, gerissen oder nicht ordnungsgemäß gesichert ist.

Verfangen von Haaren: Wenn sich das Haar in der Abflussabdeckung verfangt oder verknotet, wird der Schwimmer unter Wasser festgehalten. Diese Gefahr besteht, wenn der Durchsatz für die Pumpe oder Pumpen zu klein ist.

Ansaugen des Körpers: Wenn ein Teil des Körpers an der Abflussabdeckung angesaugt wird, wird der Schwimmer unter Wasser festgehalten. Diese Gefahr besteht, wenn die Abflussabdeckung fehlt oder gebrochen ist oder der Durchsatz für die Pumpe oder Pumpen zu klein ist.

Herausreißen von Gedärmen: Wenn eine Person auf einem Auslass in einem offenen Pool (vor allem in einem Planschbecken für Kinder) oder einem Spa sitzt und die Saugkraft unmittelbar auf die Eingeweide wirkt, können schwere Schäden an den Gedärmen auftreten. Diese Gefahr besteht, wenn eine Abflussabdeckung fehlt, gebrochen, lose, gerissen oder nicht ordnungsgemäß gesichert ist.

Mechanisches Ansaugen: Wenn Schmuckstücke, Badekleidung, Haarschmuck, Finger, Zehen oder Knöchel sich in einer Öffnung eines Auslasses oder einer Abflussabdeckung verfangen. Diese Gefahr besteht, wenn die Abflussabdeckung fehlt, gebrochen, lose, gerissen oder nicht ordnungsgemäß gesichert ist.

HINWEIS: ALLE SAUGROHRE MÜSSEN IN ÜBEREINSTIMMUNG MIT DEN GELTENDE NATIONALEN UND LOKALEN VORSCHRIFTEN UND BESTIMMUNGEN INSTALLIERT WERDEN.

⚠️ WARNING

SO VERRINGERN SIE DAS RISIKO EINER VERLETZUNG DURCH ANSAUGEN:

- Alle Ansaugöffnungsabdeckungen müssen in einem Abstand von mindestens 1 Meter voneinander, gemessen zwischen den beiden am nächsten zueinander liegenden Punkten, angeordnet werden.
- Kontrollieren Sie alle Abdeckungen in regelmäßigen Abständen auf Risse, Beschädigungen und fortgeschrittenen Verschleiß.
- Wenn eine Abdeckung lose wird, Risse oder Beschädigungen aufweist oder fehlt, muss sie durch eine passende zertifizierte Abdeckung ersetzt werden.
- Abflussabdeckungen falls nötig ersetzen. Pool-Abflussabdeckungen altern mit der Zeit, da sie der Sonneneinstrahlung und der Witterung ausgesetzt sind.
- Haare, Gliedmaßen oder der Körper dürfen nicht zu nahe an Ansaugöffnungsabdeckungen, Poolabläufe oder Auslässe kommen.
- Deaktivieren Sie Auslässe mit Sog oder wandeln Sie sie in Rückeinslässe um.

⚠️ WARNING

Ein entsprechend gekennzeichnetes Not-Aus-Schalter für die Pumpe muss klar erkennbar an einer leicht zugänglichen und sinnvollen Stelle vorgesehen werden. Stellen Sie sicher, dass die Benutzer wissen, wo er ist und wie sie ihn in einem Notfall bedienen müssen.

Der Virginia Graeme Baker (VGB) Pool and Spa Safety Act stellt neue Anforderungen an Besitzer und Betreiber von kommerziellen Schwimmbädern und Spas.

Kommerzielle Schwimmbäder bzw. Spas, die nach dem 19. Dezember 2008 errichtet wurden, müssen Folgendes verwenden:

- (A) Ein mehrschichtiges Hauptabflusssystem ohne Ansaugung mit Saugöffnungsabdeckungen gemäß ASME/ANSI A112.19.8a Suction Fittings for Use in Swimming Pools, Wading Pools, Spas, and Hot Tubs sowie entweder:
- (i) Einen Ansaugschutz (SVRS) gemäß ASME/ANSI A112.19.17 Manufactured Safety Vacuum Release systems (SVRS) for Residential and Commercial Swimming Pool, Spa, Hot Tub, and Wading Pool Suction Systems und/oder ASTM F2387 Standard Specification for Manufactured Safety Vacuum Release Systems (SVRS) for Swimming pools, Spas and Hot Tubs oder
 - (ii) Ein ordnungsgemäß dimensioniertes und getestetes sogverminderndes Belüftungssystem oder
 - (iii) Ein automatisches Pumpenabschaltsystem.

Kommerzielle Schwimmbäder und Spas, die vor dem 19. Dezember 2008 errichtet wurden und über einen einzelnen Unterwasserabfluss verfügen, müssen eine Abflussabdeckung gemäß ASME/ANSI A112.19.8a verwenden und entweder:

- (A) Ein SVRS gemäß ASME/ANSI A112.19.17 und/oder ASTM F2387, oder
- (B) Ein ordnungsgemäß dimensioniertes und getestetes sogverminderndes Belüftungssystem oder
- (C) Ein automatisches Pumpenabschaltsystem, oder
- (D) Deaktivierte Unterwasserabflüsse, oder
- (E) Auslässe mit Sog müssen in Rücklaufaufnahmen umgewandelt werden.

Für die Installation von elektrischen Steuerungen auf der Geräteplatte (EIN/AUS-Schalter, Timer und Automatisierungs-Center)

⚠️ CAUTION



Installieren Sie alle elektrischen Bedienelemente wie Ein-/Ausschalter, Zeitschaltuhren, Regelungssysteme usw. so auf der Geräteplatte, dass der Betrieb (Start, Abschalten oder Wartung) der Pumpen oder Filter erfolgen kann, ohne dass der Benutzer mit einem Teil seines Körpers über die Pumpenseiteabdeckung, den Filterdeckel oder die Ventilverschlüsse reichen muss oder in ihre Nähe kommt. Diese Montage muss es dem Benutzer ermöglichen, beim Starten, Abschalten oder Warten des Systemfilters genug Abstand zum Filter und zur Pumpe zu halten.

⚠️ DANGER



GEFÄHRLICHER DRUCK: HALTEN SIE WÄHREND DES STARTS ABSTAND ZU PUMPE UND FILTER

Umwälzanlagen arbeiten unter hohem Druck. Wenn ein Teil der Umwälzanlage (d. h. Sicherungsring, Pumpe, Filter, Ventile usw.) gewartet wird, kann Luft in das System gelangen und zu einem Druckaufbau führen. Durch den Druck können das Pumpengehäuse, die Abdeckung, der Filterdeckel und die Ventile abgerissen werden, was zu schweren Verletzungen oder sogar zum Tod führen kann. Der Deckel des Filterbehälters und die Siebabdeckung müssen ordnungsgemäß gesichert werden, um zu verhindern, dass sie abgerissen werden. Halten Sie beim Einschalten oder Starten der Pumpe einen sicheren Abstand zu allen Teilen der Umwälzanlage.

Notieren Sie vor der Wartung des Geräts den Filterdruck. Stellen Sie sicher, dass alle Bedienelemente so eingestellt sind, dass ein unbeabsichtigter Start des Systems während der Wartungsarbeiten nicht möglich ist. Schalten Sie die komplette Stromzufuhr zur Pumpe ab. **WICHTIG:** Positionieren Sie das manuelle Entlüftungsventil des Filters in geöffneter Stellung und warten Sie, bis der gesamte Druck aus dem System entwichen ist.

Öffnen Sie das manuelle Entlüftungsventil vollständig, bevor Sie das System starten, und stellen Sie alle Systemventile auf "Offen", damit das Wasser ungehindert aus dem Tank und wieder zurück fließen kann. Halten Sie einen sicheren Abstand zu allen Geräten ein und starten Sie die Pumpe. **WICHTIG:** Schließen Sie das manuelle Filterentlüftungsventil erst, wenn der Druck aus dem Ventil abgelassen worden ist und das Wasser gleichmäßig fließt. Beobachten Sie das Filtermanometer und stellen Sie sicher, dass der Druck nicht höher ist als vor der Wartung.

Öffnen Sie das manuelle Entlüftungsventil vollständig, bevor Sie das System starten, und stellen Sie alle Systemventile auf "Offen", damit das Wasser ungehindert aus dem Tank und wieder zurück fließen kann. Halten Sie einen sicheren Abstand zu allen Geräten ein und starten Sie die Pumpe. **WICHTIG:** Schließen Sie das manuelle Filterentlüftungsventil erst, wenn der Druck aus dem Ventil abgelassen worden ist und das Wasser gleichmäßig fließt. Beobachten Sie das Filtermanometer und stellen Sie sicher, dass der Druck nicht höher ist als vor der Wartung.

Allgemeine Informationen zur Montage

- Alle Arbeiten sind von einem qualifizierten Service-Techniker auszuführen und müssen sämtlichen nationalen, regionalen und lokalen Vorschriften entsprechen.
- Bei der Installation muss ein Ablauf für die Elektrik vorgesehen werden.
- Diese Anweisungen enthalten Informationen für verschiedene Pumpenmodelle. Daher kann es sein, dass einige Anweisungen für ein spezielles Modell nicht zutreffen. Alle Modelle sind für Schwimmbad-Anwendungen vorgesehen. Die Pumpe arbeitet nur korrekt, wenn sie für die spezielle Anwendung ausgelegt und ordnungsgemäß montiert ist.
- Um das Lösen des Laufrades zu vermeiden wird dringend empfohlen ein Rückschlagventil hinter der Pumpe zu verbauen.

⚠️ WARNING

Eine nicht vorschriftsmäßige Auslegung, Montage oder Verwendung der Pumpe für einen anderen als den vorgesehenen

Zweck kann zu schweren Verletzungen oder sogar zum Tod führen. Diese Gefahren umfassen unter anderem Stromschlag, Brand, Überschwemmung, Ansaugen oder schwere Verletzungen oder Sachschäden durch einen strukturellen Fehler an der Pumpe oder anderen Systemkomponenten.

⚠️ WARNING

Die Pumpe kann eine starke Saugwirkung auf der Ansaugseite der Rohranlage erzeugen. Diese hohen Saugkräfte können eine Gefahr darstellen, wenn Personen in die Nähe der Saugöffnungen kommen. Dieses hohe Vakuum kann dazu führen, dass Personen schwer verletzt oder fest gehalten werden und ertrinken. Es ist äußerst wichtig, dass die Saugleitungen in Übereinstimmung mit den geltenden nationalen und lokalen Vorschriften für Schwimmbäder installiert werden.

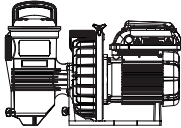
BEWAHREN SIE DIESE HINWEISE AUF.

Pumpe Überblick

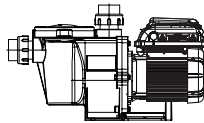
Die VS2 Pumpe mit drehzahlvariablem Antrieb ist die ideale Wahl für alle Poolarten und wurde speziell als erste Wahl für eine Vielzahl von eingelassenen Pools konzipiert.

Dickwandige Gehäuseteile, ein Hochleistungs-TEFC-Motor und eine hochentwickelte Hydraulik machen diese robuste und geprüfte Konstruktion perfekt für jede Art von Pool, Spa, Wasserattraktion oder Springbrunnen.

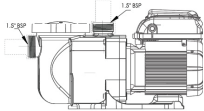
Alle Pumpen von Pentair Aquatic Systems verfügen über eine innovative Hydraulik, die seit über 40 Jahren immer wieder verfeinert wird. Die VS2 Pumpe ist kompakt, stabil und wartungsfreundlich und bietet jahrelangen zuverlässigen Betrieb.



Challenger VS2 Pump
P/N: CHL-VS2



Whisperflo-VS2 Pump
P/N: WFL-VS2



Superflo-VS2 Pump
P/N: SFL-VS2

Allgemeine Funktionen

- Besonders ruhiger Lauf
- Nicht ionisierte Anschlüsse (1,5" und 2") für einfachen Austausch
- Cam and Ramp™-Deckel für einfache Reinigung und Wartung
- Extrem leistungsfähiger, komplett gekapselter, lüftergekühlter TEFC-Motor für lange Lebensdauer
- Integrierter Siebtopf und Spiralgehäuse verringern den hydraulischen Lärm
- Durchsichtiger Deckel ermöglicht einfache Überprüfung des Siebkörbs.
- Selbstansaugung für schnellen und einfachen Start.
- CE/REACH-zertifiziert
- IPX6-Einstufung

Funktionen der Pumpensteuerung

- Einfache Benutzeroberfläche
- UV- und regenbeständiges Gehäuse mit IPX6-Einstufung
- Integriertes Uhrzeitprogramm
- Einstellbarer Ansaugmodus
- Programmierbarer Schnellreinigungsmodus
- Diagnosealarmanzeige und Speichererhalt

- Aktive Korrektur des Leistungsfaktors
- Akzeptiert 99–253 V, 50/60 Hz Eingangsversorgung
- Automatischer Strombegrenzungsschutzschaltkreis
- 24-Stunden Uhrzeitspeicherung bei Stromausfall
- Verriegelungsmodus für Tastenfeld
- Akzeptiert digitale Niederspannungseingänge aus externen Steuerungen

Überblick Steuerung

Die VS2 Pumpe mit drehzahlvariablem Antrieb verwendet einen Hochleistungsmotor mit variabler Drehzahl, der in Bezug auf Motordrehzahl und Einstellungen für die Dauer eine enorme Programmflexibilität bietet. Die Pumpe ist für den Betrieb bei niedrigster Geschwindigkeit konzipiert, um ein hygienisches Umfeld bei minimalem Energieverbrauch zu gewährleisten. Die Größe des Pools, etwaige zusätzliche Wasserattraktionen, die für die Aufrechterhaltung der Pool-Hygiene eingesetzten Chemikalien und die lokalen Umweltbedingungen beeinflussen die für maximales Energiesparen erforderliche optimale Programmierung.

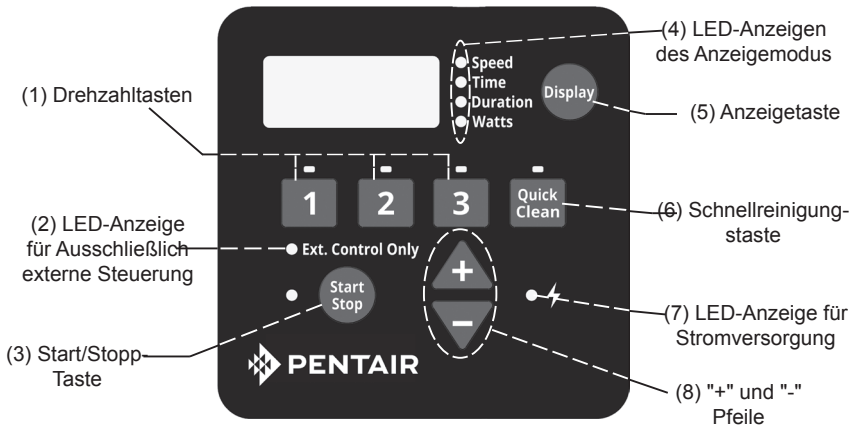


WARNING Diese Pumpe ist für den Betrieb unter 115/208–230 V eff und AUSSCHLIESSLICH für Pool-Anwendungen ausgelegt. Ein Anschluss an die falsche Spannung oder eine andere Anwendung kann zu Beschädigungen der Geräte und Verletzungen führen.

Die integrierte elektronische Benutzeroberfläche steuert die Drehzahleinstellung sowie die Betriebsdauer. Die Pumpe kann mit Drehzahlen zwischen 300 und 3450 U/min betrieben werden und funktioniert in einem Spannungsbereich von 99–253 V eff bei wahlweise 50 oder 60 Hz Eingangsfrequenz. Für die Anpassung des Programms ist möglicherweise eine Phase von Versuch und Irrtum erforderlich, um die für die vorherrschenden Bedingungen am besten passenden Einstellungen zu finden. In den meisten Fällen ist ein Betrieb der Pumpe bei niedrigster Drehzahl und längster Dauer die beste Strategie zur Minimierung des Energieverbrauchs. Die herrschenden Bedingungen können jedoch während einer bestimmten täglichen Dauer einen Betrieb der Pumpe bei höherer Drehzahl erfordern, um eine ordnungsgemäße Filtration zum Erreichen einer befriedigenden Sauberkeit zu gewährleisten.

Hinweis: Optimieren Sie die Pumpe, um sie an die individuellen Pool-Bedingungen anzupassen. Besondere Bedingungen wie etwa Größe des Pools, andere Geräte, Funktionen und Umweltfaktoren können sich alle auf die optimale Einstellung auswirken.

ÜBERBLICK BEDIENFELD



⚠ CAUTION

Wenn der Motor der VS2 Pumpe mit drehzahlvariablem Antrieb an die Stromversorgung angeschlossen ist, kann ein Drücken einer der in diesem Abschnitt erwähnten Tasten zum Starten des Motors führen. Wenn Sie dies nicht beachten, kann das zur Verletzungen oder Beschädigungen an Geräten führen.

Navigation über das Tastenfeld

- Drehzahlstasten** – Zur Auswahl der gewünschten Drehzahl. Die LED oberhalb der Drehzahlstasten leuchtet, wenn die Drehzahl ausgewählt wird oder in Betrieb ist. Eine blinkende LED zeigt an, dass auf diesem Drehzahlkanal eine externe Steuerung aktiv ist.
- LED-Anzeige für Ausschließlich externe Steuerung** – Zeigt an, dass die Pumpe im Modus "Ausschließlich externe Steuerung" betrieben wird. Wenn die LED leuchtet, ist das Programm deaktiviert und die einzige Einspeisung erfolgt über die externen Niederspannungssteuerungen.
- Start/Stop-Taste** – Zum Starten und Stoppen der Pumpe. Wenn die Pumpe gestoppt wird und die LED nicht leuchtet, kann die Pumpe über keine Eingangsart gestartet werden.
- LED-Anzeigen des Anzeigemodus** – Eine leuchtende LED zeigt, welche Information zu einem bestimmten Zeitpunkt angezeigt wird. Eine blinkende LED weist darauf hin, dass der Parameter gerade bearbeitet wird.
- Anzeigetaste** – Zum Umschalten zwischen den verschiedenen verfügbaren Anzeigemodi. Diese Taste dient auch zum Einstellen der 24-Stunden-Uhr und der Bildschirmauflösung.
- Schnellreinigungstaste** – Zum Starten einer ausgewählten, für die Schnellreinigung programmierten Drehzahl und Dauer. Wenn die LED leuchtet, ist das Schnellreinigungsprogramm aktiv.
- LED-Anzeige für Stromversorgung** – Eine leuchtende LED zeigt an, dass die Stromversorgung der Pumpe aktiv ist.
- "+" und "-" Pfeile** – Zum Anpassen der Pumpeneinstellungen auf dem Bildschirm. Mit dem "+" Pfeil wird der Wert einer bestimmten Einstellung erhöht, während mit "-" der Wert einer bestimmten Einstellung verringert wird. Wenn einer der Pfeile gedrückt gehalten wird, verläuft die Erhöhung bzw. Verringerung der schrittweisen Änderung schneller.

Die VS2 Pumpe mit drehzahlvariablem Antrieb darf nur durch einen qualifizierten Installationsfachmann eingebaut werden. Weitere Montageanweisungen und Sicherheitsinformationen finden Sie auf den Seiten ii–iii unter "**Warnungen und Sicherheitsanweisungen für die Pumpe**".

Montageort

Hinweis: Diese Pumpe darf nur in einer Außenverkleidung oder unter der Einfassung eines Whirlpools oder Spas montiert werden, wenn es entsprechend vorgesehen ist.

Hinweis: Die Pumpe muss mechanisch auf der Geräteplatte gesichert sein.

Die Montagestelle der Pumpe muss folgenden Anforderungen entsprechen:

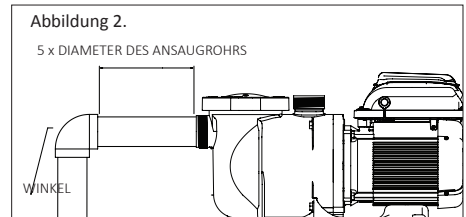
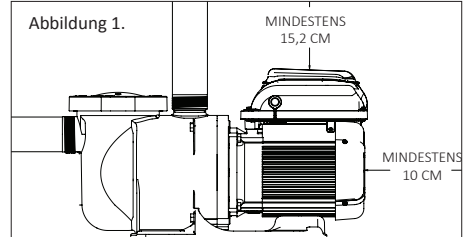
1. Pumpe so nahe wie möglich am Pool oder Spa installieren. Kurze, direkte Saug- und Rückföhrleitungen verwenden, um Reibungsverluste zu verringern und den Wirkungsgrad zu erhöhnen.
2. Pumpe mindestens 1,5 m von der Innenseite der Pool- oder Spa-Wand installieren.
3. Pumpe mindestens 1 m vom Heizungsauslass entfernt installieren.
4. Pumpe nicht höher als 3 m über dem Wasserspiegel installieren.
5. Pumpe an einem gut belüfteten Ort, geschützt vor übermäßiger Feuchtigkeit (d. h. Regen, Dachrinnenablauf, Sprinkler, usw.) installieren.
6. Pumpe hinten mit einem Abstand von mindestens 10 cm installieren, so dass der Motor für Wartungs- und Reparaturzwecke leicht ausgebaut werden kann. Siehe **Abbildung 1**.

Verrohrung

1. Wir empfehlen, Rohre mit einem größeren Diameter zu verwenden.
2. Die Verrohrung auf der Ansaugseite der Pumpe muss einen gleich großen oder größeren Diameter haben als die Rücklaufleitung.
3. Die Rohrleitungen auf der Ansaugseite müssen so kurz wie möglich sein.
4. Pentair empfiehlt für die meisten Installationen den Einbau eines Ventils sowohl auf der Pumpenansaugseite als auch in der Rücklaufleitung, damit die Pumpe während einer vorgesehenen Wartung isoliert werden kann. Wir empfehlen jedoch auch, ein Ventil, einen Winkel oder ein T-Stück in der Ansaugleitung nicht näher an der Vorderseite der Pumpe zu montieren, als in einem Abstand, der dem fünffachen (5) Diameter der Ansaugleitung entspricht. Siehe **Abbildung 2**.

Beispiel: Ein Rohr mit 2,5 Zoll benötigt einen geraden Rohrverlauf von 12,5 Zoll (31,8 cm) vor der Ansaugöffnung der Pumpe. Dadurch kann die Pumpe schneller ansaugen und hat eine längere Lebensdauer.

Hinweis: KEINE 90°-Winkel direkt in den Pumpenein- oder -auslass einbauen.



Fittings und Ventile

1. Keine 90°-Winkel direkt in den Pumpeneinlass einbauen.
2. Bei Zulaufsystemen sind für Wartungszwecke in den Saug- und Druckleitungen Schieber vorzusehen, wobei der Schieber in der Saugleitung in einem Abstand angebracht werden muss, der mindestens dem fünffachen Diameter der Saugleitung entspricht, wie in diesem Abschnitt beschrieben.
3. Verwenden Sie ein Rückschlagventil in der Abflussleitung, wenn Sie diese Pumpe für Anwendungen einsetzen, in denen zur Verrohrung nach der Pumpe eine spürbare Höhe zu überwinden ist.
4. Wenn die Verrohrung parallel zu einer anderen Pumpe verläuft, müssen Rückschlagventile installiert werden. Dadurch wird ein Anlaufen des Laufrads und Motors in der falschen Richtung vermieden.

Elektrische Anforderungen

- Montieren Sie die Ausrüstung in Übereinstimmung mit Ihren nationalen elektrischen Vorschriften und allen lokal geltenden Vorschriften und Bestimmungen.
- In der festen Verdrahtung muss gemäß den Verdrahtungsvorschriften eine Trennvorrichtung vorgesehen werden.

⚠ WARNING

GEFAHR EINES STROMSCHLAGS ODER ELEKTROSCHOCKS. Die Pumpe mit drehzahlvariablem Antrieb ist von einem zugelassenen bzw. zertifizierten Elektrofachmann bzw. einem Wartungstechniker gemäß dem National Electrical Code und allen geltenden örtlichen Vorschriften und Verordnungen zu installieren. Eine nicht fachgerechte Installation verursacht elektrische Gefahren, die zum Tod oder zu schweren Verletzungen bei Benutzern, Installateuren oder anderen Personen durch einen Stromschlag führen und Sachschäden verursachen können.

Vor Durchführung von Wartungsarbeiten an der Pumpe immer am Leistungsschalter ausschalten. Die Nichtbeachtung dieser Anweisung kann einen Stromschlag bewirken und zum Tod oder zu schweren Verletzungen von Servicetechnikern, Poolbenutzern oder anderen Personen und/oder zu Sachschäden führen. Lesen Sie alle Wartungsanweisungen, bevor Sie Arbeiten an der Pumpe ausführen.

Verdrahtungsübersicht und Installation

⚠ WARNING

Bei der Installation, Wartung oder Reparatur von elektrischen Bauteilen muss die Stromversorgung abgeschaltet werden. Beachte Sie alle Warnhinweise auf den bestehenden Geräten, der Pumpe und in diesen Installationsanweisungen.

Die Pumpe muss entsprechend den lokalen elektrischen Vorschriften und Bestimmungen verdrahtet werden. Halten Sie sich immer an den National Electrical Code. Die Pumpe muss von einem zugelassenen Elektriker installiert werden.

Die Pumpe akzeptiert 99–253 V, 50 oder 60 Hz einphasige Versorgungsspannung. Die Anschlussblöcke können Drähte oder Litzen bis zu 10 AWG aufnehmen. Es gibt auch Schnellverschlüsse zur raschen Verdrahtung, prüfen Sie jedoch die lokalen elektrischen Vorschriften hinsichtlich der gewünschten Anschlussmethode. Die Verbindung zum Erdungsanschluss im Feld-Kabelfach muss permanent sein (siehe **Abbildung 3**) und den lokalen elektrischen Vorschriften entsprechen. Wenn die Pumpe mit niedrigerer Spannung betrieben wird, regelt die Motorsteuerung die Pumpendrehzahl automatisch ab, um den Strom unter 13,2 A zu halten. Um die Pumpe mit einer Nennspannung von 110 V zu betreiben, muss die Verdrahtung nicht verändert werden. Es werden dieselben Anschlüsse verwendet wie bei einer höheren Spannung.

Der Antrieb funktioniert sowohl in 2-phasigen Phase-Phase-Erdung-Elektrsystemen als auch in Phase-Nullleiter-Erdung-Systemen. Diese Pumpe muss permanent an einem Trennschalter gemäß den Anforderungen der lokalen elektrischen Vorschriften angeschlossen sein.

1. Vor dem Verdrahten des Motors sicherstellen, dass alle elektrischen Unterbrecher und Schalter ausgeschaltet sind. Warten Sie nach dem Abtrennen der Stromversorgung von der Pumpe immer fünf (5) Minuten, bevor Sie den Antrieb öffnen oder warten.
2. Wählen Sie den Leitungsquerschnitt für die Pumpe nach Maßgabe des aktuellen National Electrical Code und allen vor Ort geltenden Vorschriften und Verordnungen. Verwenden Sie im Zweifelsfall einen dickeren Draht (mit einen größeren Durchmesser). Die Nennspannung der Verdrahtung muss innerhalb des Betriebsbereichs liegen.
3. Sicherstellen, dass alle elektrischen Anschlüsse sauber und dicht sind.
4. Kürzen Sie die Leitungen auf die richtige Länge, damit sie nach dem Anschließen auf der Klemmenplatte nicht überstehen oder sich berühren.
5. Erden Sie den Motor dauerhaft und verwenden Sie dazu die Erdungsschraube im Inneren der hinteren Steuerungsschnittstelle (siehe **Abbildung 3**). Verwenden Sie die richtige Kabelgröße und den richtigen Kabeltyp gemäß den Vorgaben im aktuellen National Electrical Code. Der Erdungsdraht muss an das Erdungssystem angeschlossen sein.

6. Verbinden Sie den Motor gemäß dem aktuellen National Electric Code mit sämtlichen Metallteilen der Pool-Struktur und allen elektrischen Geräten, metallischen Leitern und metallischen Rohren im Abstand von 1,5 m von den Innenwänden des Swimming Pools, Spas oder Whirlpools. Für UL ist die Verwendung von Verbindungsleitungen aus Kupferdraht von mindestens 8 AWG erforderlich. Siehe **Abbildung 3**.

Hinweis: Für Kanada sind Verbindungsleitungen aus Kupferdraht mit mindestens 6 AWG erforderlich.

7. Die Pumpe muss fest mit einem Leistungsschalter, einem 2-poligen Timer oder einem 2-poligen Relais verbunden werden. Wird der Wechselstrom über einen GFCI-Schalter (FI-Schutzschalter) zugeführt, verwenden Sie einen speziellen Hauptschalter, an dem keine anderen elektrischen Lasten anliegen.
8. Schließen Sie die Pumpe fest an einen Stromkreis an. Stellen Sie sicher, dass keine Lampen oder andere Geräte an diesen Stromkreis angeschlossen sind.

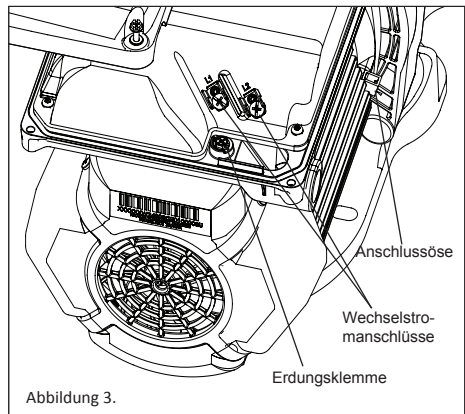


Abbildung 3.

Das Feldverdrahtungsfach verfügt über einen Anschluss mit 1/2" NPT-Gewinde für das flüssigkeitsdichte Fitting.

Zur Verbindung des Motors mit der Geräteplatte muss die Anschlussöse verwendet werden.

Steuerung mit externer Steuerung und digitalen Eingängen

Der Benutzer kann die VS2 Pumpe mit drehzahlvariablem Antrieb mit automatisierten externen Steuerungen oder Pentair® ControlPro™ betreiben und so alle vier programmierten Drehzahlen ferngesteuert kontrollieren. Die Pumpe verfügt über einen abgedichteten Anschluss, der für ein Pentair Datenkabel (optional, Bestell-Nr. 353129Z) zur Ansteuerung der Drehzahlen mithilfe von digitalen Eingangssignalen verwendet werden kann. Wenn am digitalen Drehzahleingang ein externes Niederspannungssignal anliegt, wird die Pumpe mit der für diesen digitalen Eingang programmierten Drehzahl betrieben. Das bereitgestellte +5 V-Signal ist der empfohlene Eingangswert für die externen digitalen Steuerungs- und Drehzahleingänge.

Anschluss an externe Steuerungen

Verwendung des bereitgestellten Niederspannungssignals für digitale Steuerung

Die VS2 stellt ein Niederspannungsausgangssignal zur Verfügung, das zum Auslösen der eigenen digitalen Eingänge verwendet werden kann. Dieses Signal muss über das externe Steuerungssystem geschaltet werden, um die Drehzahl zu aktivieren, mit der es wie in **Abbildung 4** verbunden ist. Das kann ein Automatisierungsrelais oder ein Schalter in einem anderen Gerät sein. Diese Funktion kann sich als nützlich erweisen, wenn gewährleistet werden soll, dass die Pumpe ein bestimmtes Programm ausführt falls für eine Aufgabe eine bestimmte Drehzahl erforderlich ist.

Der mit dem Pentair Datenkabel (optional, Bestell-Nr. 353129Z) mitgelieferte Draht muss für die Installation auf die passende Länge gekürzt werden. Überschüssiger Draht darf nicht in der Installation verbleiben und muss durch einen festen Gegenstand gestützt werden, wenn kein Kabelkanal verwendet wird. An einem Ende des Kabels befindet sich eine speziell angefertigte wasserdichte Gussverbindung, die auf der Antriebsseite in den Anschluss der Platte gesteckt wird. Das andere Ende hat 6 Drähte, die in der nachfolgenden **Tabelle 1** definiert werden. Bei Verwendung des vom Antrieb zur Verfügung gestellten +5 V-Signals, müssen die Drehzahlen gemäß **Abbildung 4** verdrahtet werden.

Wenn am digitalen Drehzahleingang ein externes Niederspannungssignal anliegt, wird die Pumpe mit der für diesen digitalen Eingang programmierten Drehzahl betrieben. Das +5 V-Signal, das über den (roten) Draht bereitgestellt wird, stellt das für die digitalen Drehzahleingänge empfohlene Signal dar. Siehe **Abbildung 4**.

Hinweis: Jedem digitalen Eingang kann ein beliebiges Relais zugewiesen werden. **Abbildung 4** zeigt eine von vielen möglichen Verdrahtungsoptionen, die dem Installateur zur Verfügung stehen, um externe Steuerungen so zu installieren, dass Sie Ihren Anforderungen am besten entsprechen.

Hinweis: Dieses +5 V-Signal (roter Draht) ist nur ein Ausgangssignal des Antriebs und darf niemals an eine andere Stromversorgung angeschlossen werden!

Wenn ein digitaler Drehzahleingang ausgelöst wird, beginnt die LED über der **Drehzahl**-Taste zu blinken und das Display wechselt zwischen der Anzeige des Parameters und "EC", um anzuzeigen, dass eine externe Steuerung in Betrieb ist. Die Pumpe wird solange mit dieser Drehzahl betrieben, wie der Trigger am digitalen Eingang anliegt. Dadurch wird das Programm oder etwaige benutzerdefinierte Eingangssignale für die Drehzahlauswahl über das Tastenfeld übersteuert. Die **Display**-Taste sowie die **Start/Stop**-Taste sind in Funktion. Sobald die Auslösung des digitalen Eingangs von allen Drähten des digitalen Drehzahleingangs entfernt wird, setzt die Pumpe wieder das programmierte Programm fort.

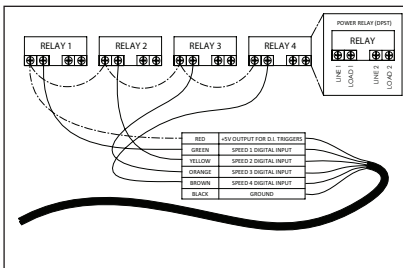


Abbildung 4:

Verdrahtungsdiagramm der externen Steuerung

Definition	Signalbereich	Drahtfarbe
+5 V-Ausgang für digitale Eingänge	0 - 20mA	Rot
Digitaler Eingang für Drehzahl 1	0,5–30 V AC/DC	Grün
Digitaler Eingang für Drehzahl 2	0,5–30 V AC/DC	Gelb
Digitaler Eingang für Drehzahl 3	0,5–30 V AC/DC	Orange
Digitaler Eingang für Schnellreinigung	0,5–30 V AC/DC	Braun
Gemeinsame Erde	0V	Schwarz

Tabelle 1:

Verdrahtungsdiagramm für Eingänge des Automatisierungssystem

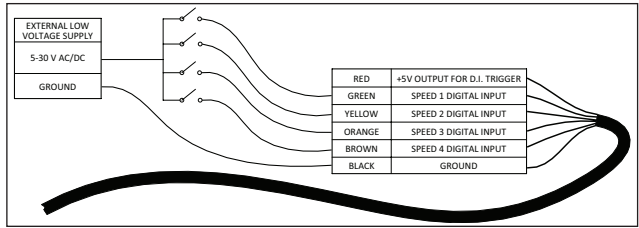
Verwendung eines extern bereitgestellten Niederspannungssignals für externe Steuerung

Wenn als Auslösung des digitalen Eingangs ein extern bereitgestelltes Niederspannungssignal verwendet wird, muss der Draht gemäß **Abbildung 5** angeschlossen werden. Das Niederspannungseingangssignal muss im Bereich von 5–30 V AC oder DC liegen. In diesem Fall wird die rote +5 V-Versorgung aus der Motorsteuerung nicht verwendet.

Hinweis: Dieses +5 V-Signal (roter Draht) ist nur ein Ausgangssignal des Antriebs und darf niemals an eine Spannungsversorgung angeschlossen werden!

Das externe Niederspannungssignal kann mithilfe von Schaltern oder Relais geregelt werden, um den gewünschten digitalen Eingang zu aktivieren. Wenn gleichzeitig mehr als ein digitaler Eingang aktiv ist, erfolgt die Verarbeitung nach Priorität.

Abbildung 5:
Verdrahtungsdiagramm für die
Niederspannungsstromversorgung



Hinweis: Wenn die Pumpe mithilfe der Start/Stopp-Taste gestoppt wurde, läuft sie solange nicht, bis sie durch Drücken der Start/Stopp-Taste wieder gestartet wird. Wenn die Start/Stopp-LED leuchtet, weist das darauf hin, dass die Pumpe läuft und über die digitalen Eingänge betrieben wird.

Hinweis: Wenn mehrere Niederspannungs-Trigger anliegen, werden diese nach folgender Priorität verarbeitet: Schnellreinigung, Drehzahl 3, Drehzahl 2 und dann Drehzahl 1.

Verbindung mit Pentair® ControlPro™

Wenn Sie eine extern gesteuerte Installation benötigen, bietet Pentair® ControlPro™ eine einfache Lösung für den gesamten Pool-Setup. Die Drehzahlauswahl wird durch ControlPro™ über die Schnittstelle geschaltet. Weitere Informationen finden Sie auf www.pentairpoolerurope.com. Die Verbindung muss gemäß Abbildung 6 durchgeführt werden. Das korrekte Niederspannungseingangssignal stammt aus ControlPro™, daher muss die Erde an den Schaltschütz angeschlossen werden. Beachten Sie stets das ControlPro-Handbuch auf www.pentairpoolerurope.com, wenn Sie die VS2-Pumpe an ControlPro™ anschließen.

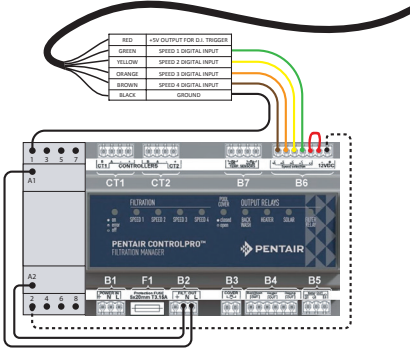


Abbildung 6:
ControlPro Verdrahtungsdiagramm

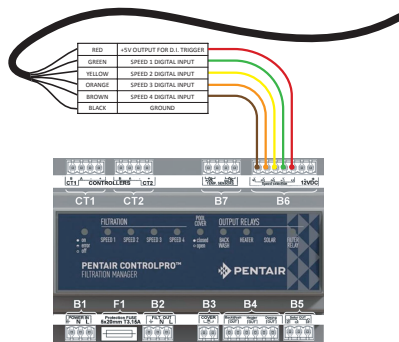


Abbildung 6:
ControlPro+ Verdrahtungsdiagramm

Modus Ausschließlich externe Steuerung

Der Modus Ausschließlich externe Steuerung erlaubt eine Steuerung der Pumpe über externe Steuerungen/Eingänge. Wenn dieser Modus aktiv ist, wird der programmierte Pumpenzeitplan deaktiviert und es werden keine Drehzahleingaben des Benutzers über das Tastenfeld akzeptiert. Wird die Pumpe gestoppt, kann ein Benutzer trotzdem die Drehzahlen für alle vier Drehzahl-tasten programmieren.

So aktivieren Sie den Modus Ausschließlich externe Steuerung:

1. Stoppen Sie die Pumpe durch Drücken der **Start/Stopp**-Taste.
2. Aktivieren Sie den Modus Ausschließlich externe Steuerung, indem Sie die **Start/Stopp**-Taste 3 Sekunden gedrückt halten.
3. Im Erfolgsfall wird die LED neben Ausschließlich externe Steuerung aufleuchten. Siehe **Abbildung 7**.
4. Drücken Sie nochmals die **Start/Stopp**-Taste, um die Pumpe zu starten.



Abbildung 7: Ausschließlich externe Steuerung aktivieren

So deaktivieren Sie den Modus Ausschließlich externe Steuerung:

1. Stoppen Sie die Pumpe durch Drücken der **Start/Stopp**-Taste.
2. Deaktivieren Sie den Modus Ausschließlich externe Steuerung, indem Sie die **Start/Stopp**-Taste 3 Sekunden gedrückt halten.
3. Im Erfolgsfall wird die LED neben Ausschließlich externe Steuerung erlöschen. Siehe **Abbildung 7**.
4. Drücken Sie nochmals die **Start/Stopp**-Taste, um die Pumpe zu starten.

BETRIEB DER PUMPE

Einstellen der Uhr

Wenn die Pumpe zum ersten Mal angeschlossen wird, blinkt die Uhrzeitanzeige, um darauf hinzuweisen, dass die Uhr noch nicht eingestellt wurde. Sämtliche Tagesprogramme, die vom Benutzer programmiert werden, basieren auf dieser Uhrzeiteinstellung; es ist daher notwendig, zuerst die Uhr einzustellen.

So stellen Sie die Uhr ein:

1. Halten Sie die **Display**-Taste 3 Sekunden gedrückt.
2. Verwenden Sie die "+" und "-" Pfeile, um zwischen 12-Stunden- und 24-Stunden-Zeitformat zu wählen.
3. Drücken Sie auf **Display**, um zum nächsten Schritt des Uhreneinstellungsmenüs zu wechseln.
4. Verwenden Sie die "+" und "-" Pfeile, um die Zeit auf die korrekte Uhrzeit einzustellen. Im 12-Stunden-Zeitformat wird in der rechten unteren Ecke AM/PM angezeigt.
5. Drücken Sie auf **Display**, um fortzufahren.
6. Verwenden Sie die "+" und "-" Pfeile, um die Helligkeit des Bildschirmhintergrunds anzupassen.
7. Drücken Sie auf **Display**, um das Uhreneinstellungsmenü zu verlassen. Die Uhr ist jetzt eingestellt.

Während eines Stromausfalls bleibt die Uhrzeiteinstellung 24 Stunden gespeichert. Dauert der Stromausfall länger als 24 Stunden, muss die Uhr erneut eingestellt werden. Sollte der Antrieb die vom Benutzer eingestellte Zeit verloren haben, blinkt die Uhrzeitanzeige dauerhaft, bis die Zeit wieder eingestellt ist.

Sobald die Zeit wieder eingestellt ist, blinkt die Uhrzeitanzeige nicht mehr.

Hinweis: Wenn die Stromversorgung nach einem längeren Stromausfall (mehr als 24 Stunden) wiederhergestellt ist, stellt sich die Uhr automatisch auf die Startzeit von Drehzahl 1, blinkt und beginnt zu laufen. Die Pumpe führt das mit dieser Startzeit verknüpfte Programm ebenfalls aus.

Verwendung des Standard- programm

Das Standardprogramm wurde so eingestellt, dass genügend Wasser umgewälzt wird, um einen typischen Pool zu warten. Das Standardprogramm finden Sie in **Tabelle 2**.

	Dauer (Stunden)	Drehzahl (U/min)
DREHZAHL 1	2	3000
DREHZAHL 2	10	1400
DREHZAHL 3	2	2200

Tabelle 2: Standardprogramm

DREHZAHL 1 beginnt um 8:00 Uhr und läuft 2 Stunden lang mit 3000 U/min. Sobald DREHZAHL 1 abgeschlossen ist, wird die Pumpe sofort auf die Standard-DREHZAHL 2 umgeschaltet. DREHZAHL 2 ist werksseitig auf 1400 U/min eingestellt und dauert 10 Stunden. Nachdem DREHZAHL 2 abgeschlossen ist, läuft die Pumpe in DREHZAHL 3 zwei Stunden lang mit 2200 U/min.

Nach einer Laufzeit von 14 Stunden und nach Abschluss von DREHZAHL 3 wechselt die Pumpe für die nächsten 10 Stunden in einen stationären/Pausezustand. Die Pumpe wird am nächsten Morgen um 8:00 Uhr wieder gestartet und durchläuft das Standardprogramm erneut. Die Pumpe läuft solange auf diese Weise, bis im Antrieb ein benutzerdefiniertes Programm festgelegt wird.

Hinweis: Damit die Pumpe läuft, muss die **Start/Stop**-Taste gedrückt werden und die LED leuchten.

Benutzerdefinierte Programme

Damit das Betriebsprogramm Ihrer VS2 Pumpe mit drehzahlvariablem Antrieb angepasst werden kann, muss die Pumpe gestoppt werden. Vergewissern Sie sich, dass die LED der **Start/Stop**-Taste nicht leuchtet.

So definieren Sie ein benutzerdefiniertes Programm:

Hinweis: Während der Programmierung blinkt die LED neben dem Parameter ("Drehzahl", "Uhrzeit" und "Dauer"), den Sie gerade definieren.

1. Falls die Pumpe läuft, stoppen Sie sie durch Drücken der **Start/Stop**-Taste.
2. Drücken Sie die Taste "1". Die LED über der ausgewählten DREHZAHL beginnt zu blinken und die LED des Parameters "Drehzahl" blinkt während der Programmierung. Siehe **Abbildung 8**.



Abbildung 8: Festlegen der Drehzahl

3. Verwenden Sie die "+" und "-" Pfeile um die Drehzahl in U/min für DREHZAHL 1 anzupassen.
Hinweis: Die Drehzahl wird aufwärts oder abwärts in Schritten von 10 U/min eingestellt.
4. Drücken Sie nochmals die "1"-Taste; das Display wechselt zur Startzeit von DREHZAHL 1. Die LED des Parameters "Uhrzeit" beginnt zu blinken. Siehe **Abbildung 9**.



Abbildung 9: Festlegen der Startzeit

5. Verwenden Sie die "+" und "-" Pfeile um die tägliche Startzeit für DREHZAHL 1 anzupassen.
6. Drücken Sie nochmals die "1"-Taste; das Display wechselt zur Dauer von DREHZAHL 1. Die LED des Parameters "Dauer" beginnt zu blinken. Siehe **Abbildung 10**.



Abbildung 10: Festlegen der Dauer

7. Verwenden Sie die "+" und "-" Pfeile, um die Dauer für DREHZAHL 1 in Stunden und Minuten anzupassen.
Hinweis: Der Parameter für die Dauer wird in Schritten von 15 Minuten eingestellt.
8. Durch Drücken der Taste "1" können Sie zwischen diesen Parametern hin und her wechseln; die Änderungen werden jedoch sofort bei der Anpassung gespeichert.
9. Drücken Sie die Taste "2". Die LED über DREHZAHL 2 beginnt zu blinken und die LED des entsprechenden Parameters blinkt während der Programmierung.
10. Verwenden Sie die "+" und "-" Pfeile um die Drehzahl in U/min für DREHZAHL 2 anzupassen.
11. Drücken Sie nochmals die "2"-Taste; das Display wechselt zur Dauer von DREHZAHL 2.
Hinweis: Die DREHZAHLen 2 und 3 haben keine Startzeit, da sie sofort nach Abschluss der vorhergehenden DREHZAHL beginnen.
12. Verwenden Sie die "+" und "-" Pfeile, um die Dauer für DREHZAHL 2 in Stunden und Minuten anzupassen.
13. Wiederholen Sie die Schritte 9–12, um DREHZAHL 3 und SCHNELLREINIGUNG zu programmieren.
Hinweis: Vergessen Sie nicht, dass die Dauer von DREHZAHL 3 auf die verbleibende Zeit in einem 24-Stunden-Tag beschränkt ist. Während der Zeit eines 24-Stunden-Tages, die nicht in DREHZAHLen 1–3 programmiert wurde, bleibt die Pumpe in einem stationären Zustand.

[DREHZAHL 1 + DREHZAHL 2 + DREHZAHL 3 ≤ 24 Stunden]

14. Drücken Sie die **Start/Stopp**-Taste und vergewissern Sie sich, dass die LED leuchtet. Die Pumpe ist jetzt eingeschaltet und durchläuft das benutzerdefinierte Programm.

Hinweis: Wenn die Pumpe mithilfe der **Start/Stopp**-Taste gestoppt wurde, läuft sie solange nicht, bis sie mithilfe der **Start/Stopp**-Taste wieder gestartet wird. Wenn die **Start/Stopp**-Taste leuchtet, dann ist die Pumpe eingeschaltet und durchläuft sie das festgelegte Programm.

Hinweis: Wenn der Benutzer während des Tages eine Zeitspanne benötigt, in der die Pumpe nicht läuft, kann jede der DREHZAHLen auf 0 U/min eingestellt werden. Dadurch bleibt die Pumpe während der Dauer dieser DREHZAHL im stationären/Pausezustand.

Priorität der Drehzahlen (nicht externe Steuerung)

Für die Einstellungen der Programmdauer gilt folgende Priorität der DREHZAHLen: DREHZAHL 1 -> DREHZAHL 2 -> DREHZAHL 3. DREHZAHL 1 hat die höchste Priorität und DREHZAHL 3 die niedrigste.

Der Antrieb erlaubt dem Benutzer nicht, ein Programm festzulegen, das länger als 24 Stunden dauert. Wenn die 24. Stunde programmiert wird, nimmt die Steuerung Zeit von den Drehzahlen mit niedrigerer Priorität und fügt sie zur derzeit angepassten DREHZAHL hinzu.

Beispiel:

Ausgangsprogramm (Vor der Anpassung)

DREHZAHL 1 Dauer = 20 Stunden
DREHZAHL 2 Dauer = 2 Stunden
DREHZAHL 3 Dauer = 2 Stunden

Wenn der Benutzer DREHZAHL 1 neu auf eine Dauer von 23 Stunden programmiert, wird DREHZAHL 2 (niedrigere Priorität) automatisch auf eine Dauer von 1 Stunde und DREHZAHL 3 (niedrigste Priorität) auf eine Dauer von 0 Stunden angepasst.

Endgültiges Programm (nach der Anpassung)

DREHZAHL 1 Dauer = 23 Stunden
DREHZAHL 2 Dauer = 1 Stunde
DREHZAHL 3 Dauer = 0 Stunden

Bedienung der Pumpe während der Laufzeit

CAUTION

Wenn der Motor der Pumpe an die Stromversorgung angeschlossen ist, kann ein Drücken einer der in diesem Abschnitt erwähnten Tasten zum Starten des Motors führen. Wenn Sie dies nicht beachten, kann das zur Verletzungen oder Beschädigungen an Geräten führen.

Durch Drücken der Taste **Display** können Sie durch die aktuellen Parameter blättern.

- **Drehzahl** — derzeit ausgeführte Drehzahl
- **Uhrzeit** — aktuelle Uhrzeit
- **Dauer** — verbleibende Zeit für die derzeit ausgeführte Drehzahl
- **Watt** — derzeit verbrauchte Wattanzahl

Wird bei laufender Pumpe eine der Drehzahlstasten ("1", "2", "3", "Schnellreinigung") gedrückt, gilt das als vorübergehende Übersteuerung. Die Pumpe wird dann mit der für diese Taste programmierten Drehzahl und Dauer betrieben. Nach Abschluss kehrt sie zum entsprechenden Punkt des festgelegten Programms zurück.

Hinweis: Wenn Sie die Drehzahlen des Programms anpassen während die Pumpe in Betrieb ist, wird sie für den Rest der aktuellen Dauer mit der angepassten Drehzahl betrieben, die Änderungen werden jedoch nicht gespeichert. **Ausnahme: Anpassungen von Drehzahl und Dauer der SCHNELLREINIGUNG werden immer sofort gespeichert.**

QuickClean

Wenn die Schnellreinigung ausgeführt wird, kann durch Drücken der "+" oder "-" Pfeile die Drehzahl entsprechend geändert werden. Wird die Taste **Schnellreinigung** innerhalb von 10 Sekunden nach Drücken der "+" oder "-" Pfeile nochmals gedrückt, kann die Dauer der Schnellreinigung mithilfe der "+" und "-" Pfeile angepasst werden. Diese Änderungen werden sofort gespeichert und gelten als neue Standardeinstellung für die Schnellreinigung. Durch erneutes Drücken der Taste **Schnellreinigung** kann durch die beiden Einstellungen für die Schnellreinigung geblättert werden. Wenn innerhalb von 10 Sekunden keine weiteren Tasten gedrückt werden, verlässt die Pumpe den Bearbeitungsmodus.

Wenn die Schnellreinigung läuft und Sie die Schnellreinigung beenden möchten, bevor die Dauer abgelaufen ist, können Sie die Taste **Schnellreinigung** 3 Sekunden gedrückt halten, woraufhin die Pumpe zum entsprechenden Punkt im definierten Programm zurückkehrt.

CAUTION

Manche Geschwindigkeiten erzeugen, bei speziellen Installationen, möglicherweise einen (Nach-)Hall oder Geräusche an der Pumpe.

Diese können durch eine kleine Anpassung der Geschwindigkeit beseitigt werden.

Ansaugen

CAUTION

Diese Pumpe wird mit AKTIVIERTEM Ansaugmodus ausgeliefert. Sofern die Ansaugereinstellungen nicht im Menü geändert werden, **beachten Sie bitte, dass die Pumpe auf die Ansaugdrehzahl beschleunigt, wenn sie zum ersten Mal in Betrieb genommen wird und die Start/Stop-Taste gedrückt wird.**

Vergewissern Sie sich, dass die folgenden Anforderungen erfüllt sind, bevor Sie die Pumpe EINSCHALTEN.

1. Öffnen Sie das Filterentlüftungsventil.
2. Öffnen Sie die Ventile.
3. Die Pool-Rücklaufleitung ist vollständig geöffnet und frei von Blockierungen.
4. Der Pumpenkorb ist mit Wasser gefüllt.
5. Halten Sie Abstand zum Filter und anderen unter Druck gesetzten Behältern.

CAUTION

Pumpe NICHT trocken laufen lassen. Wenn die Pumpe trocken läuft, wird die mechanische Dichtung beschädigt und die Pumpe wird undicht. Wenn dies der Fall ist, muss die beschädigte Dichtung ersetzt werden. Achten Sie IMMER auf einen ausreichenden Wasserstand in Ihrem Pool (bis zur Hälfte der Skimmer-Öffnung). Wenn der Wasserstand unter die Skimmer-Öffnung fällt, saugt die Pumpe Luft durch den Skimmer an, wodurch nicht mehr angesaugt wird und die Pumpe trocken läuft, was zu einer Beschädigung der Dichtung führt. Wenn die Pumpe so weiter betrieben wird, könnte es zu einem Druckverlust kommen, der zu Schäden am Pumpengehäuse, am Laufrad und an der Dichtung sowie zu Sachschäden und Verletzungen führen könnte.

Wenn die VS2 Pumpe mit drehzahlvariablem Antrieb aus dem gestoppten Zustand gestartet wird, wird automatisch angesaugt, außer es wird der Schnellreinigungsmodus ausgeführt. Das Ansaugen geht mit 2850 U/min vor sich und dauert 5 Minuten. Der Bildschirm des Antriebs zeigt und durchläuft folgenden Zyklus "PrI – Ansaugdrehzahl, PrI – Restzeit".

Sobald das Ansaugen begonnen hat, kann die Drehzahl mithilfe der "+" und "-" Pfeile zwischen 3450 und 1700 U/min eingestellt werden. Wenn Sie auf unter 1700 U/min eingestellt wird, wird der Ansaugmodus deaktiviert und die Pumpe beginnt unmittelbar in der programmierten Drehzahl zu laufen.

Wenn der Ansaugmodus deaktiviert ist und die Pumpe aus dem gestoppten Zustand gestartet wird, zeigt der Bildschirm 10 Sekunden lang "PrI - AUS" an, während die Pumpe mit der programmierten Drehzahl läuft (siehe **Abbildung 11**). Dadurch hat der Benutzer die Möglichkeit, den Ansaugmodus durch Drücken des "+" Pfeils zu aktivieren. Wenn sich der Benutzer für eine Reaktivierung des Ansaugmodus entscheidet, wechselt die Pumpe von der programmierten Drehzahl auf 1700 U/min. Der Benutzer kann die Ansaugdrehzahl von 1700 U/min durch Drücken des "+" Pfeils erhöhen. Der fünfminütige Countdown für das Ansaugen wird gestartet, wenn das Ansaugen zum ersten Mal aktiviert wird. Der Installateur muss die Ansaugdrehzahl so einstellen, dass sie für ein Ansaugen der Pumpe in einer Neuinstallation ausreicht, aber nicht zu schnell ist, um während des fünfminütigen Zeitfensters der

Ansaugung Energie zu vergeuden. Die Zeit, die die Pumpe zum Erreichen der Ansaugung benötigt, kann sich aufgrund der lokalen Umweltbedingungen wie etwa Wassertemperatur, Luftdruck oder Wasserstand im Pool ändern. All dies sollte bei der Festlegung der Ansaugdrehzahl berücksichtigt werden, in den meisten Fällen ist es jedoch nicht erforderlich, dass die Pumpe für ein erfolgreiches Ansaugen mit 2850 U/min läuft.

Bitte testen und überprüfen Sie die gewählte Ansaugdrehzahl mehr als einmal und lassen Sie das Wasser zwischen den Tests auslaufen.

Hinweis: Der Pumpensiebkorb muss immer voll bis zum Boden des Einlasses sein, damit keine Luft in das System eindringen kann.

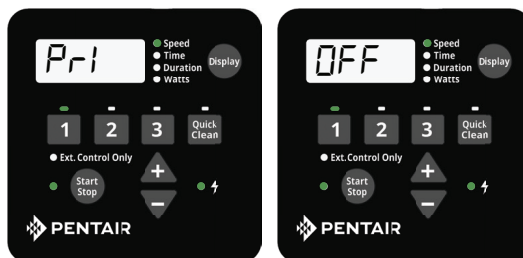


Abbildung 11: Deaktivierung der Ansaugung

QuickClean

Die VS2 Pumpe mit drehzahlvariablem Antrieb ist mit einer Schnellreinigungsfunktion ausgestattet, die aktiviert werden kann, um die Pumpe vorübergehend mit einer höheren bzw. niedrigeren Drehzahl als 300 bis 3450 U/min zu betreiben. Sobald die Dauer für die Schnellreinigung abgelaufen ist, kehrt die Pumpe automatisch zum festgelegten Programm zurück.

Programmierung der Schnellreinigung:

1. Falls die Pumpe läuft, stoppen Sie sie durch Drücken der **Start/Stopp**-Taste.
2. Drücken Sie die Taste **Schnellreinigung**. Die LED über der Taste **Schnellreinigung** und die LED des Parameters "Drehzahl" blinken während der Bearbeitung. Siehe **Abbildung 12**.



Abbildung 12: Festlegen der Drehzahl für die Schnellreinigung

3. Verwenden Sie die "+" und "-" Pfeile um die Drehzahl in U/min für die Schnellreinigung anzupassen.
4. Drücken Sie nochmals die **Schnellreinigung**; das Display wechselt zur Dauer der Schnellreinigung. Die LED des Parameters "Dauer" blinkt während der Bearbeitung. Siehe **Abbildung 13**.

Hinweis: Die Schnellreinigungsfunktion hat keine Startzeit.



Abbildung 13: Festlegen der Dauer für die Schnellreinigung

5. Verwenden Sie die "+" und "-" Pfeile, um die Dauer für die Schnellreinigung in Stunden und Minuten anzupassen.
6. Drücken Sie die **Start/Stopp**-Taste und vergewissern Sie sich, dass die LED leuchtet. Die Pumpe ist jetzt eingeschaltet und läuft mit der für die Schnellreinigung festgelegten Drehzahl und Dauer.

Hinweis: Wenn die Dauer für die Schnellreinigung endet, nimmt die Pumpe das 24-Stunden-Programm an jenem Punkt wieder auf, an dem sie sich normalerweise zu diesem Zeitpunkt befinden würde. Die Dauer der Schnellreinigung hat keinen Einfluss auf die Start- bzw. Stopp-Zeiten des 24-Stunden-Programms. Wenn die Schnellreinigung beispielsweise während einer Zeitspanne abläuft, in der sich der letzte Teil von DREHZAH 1 und der erste Teil von DREHZAH 2 überlappen, ist die Startzeit von DREHZAH 3 davon nicht betroffen.

Hinweis: Wenn die Taste Schnellreinigung länger als drei (3) Sekunden gedrückt gehalten wird, wird der Schnellreinigungsmodus abgebrochen.

Hinweis: Während des Schnellreinigungsmodus startet die Pumpe keine Ansaugen-Sequenz.

Hinweis: Es wird empfohlen, die Schnellreinigungsdauer nicht auf 0 Std. zu setzen. Wenn Sie die Schnellreinigungsdauer auf 0 Std. setzen, können Sie die Einstellung der Dauer nicht ändern während der Motor läuft. Der Motor muss gestoppt werden, um die Schnellreinigungseinstellungen zu ändern, wenn die Dauer auf 0 Std. gesetzt ist.

Verriegelung des Tastenfelds

CAUTION

Durch die Tastensperre wird nicht verhindert, dass der Motor durch Drücken der Start/Stopp-Taste gestoppt wird. Es ist dann nicht möglich, den Motor wieder zu starten, solange das Tastenfeld verriegelt ist. Wenn der Motor im Modus Tastensperre betrieben und über externe Steuerungen gesteuert wird, kann er nur dann laufen, wenn die Start/Stopp-LED leuchtet.

Die Benutzeroberfläche der VS2 Pumpe mit drehzahlvariablem Antrieb verfügt über eine Funktion zur Verriegelung des Tastenfelds, um unerwünschte Änderungen der Einstellungen zu vermeiden. Wenn das Tastenfeld verriegelt ist, werden Eingaben des Benutzers nur akzeptiert, wenn die Display-Taste gedrückt wird, um durch die auf dem Bildschirm angezeigten Informationen zu blättern, oder wenn die Start/Stopp-Taste gedrückt wird, um den Motor zu stoppen.

Das Tastenfeld wird verriegelt, wenn die "1"-Taste und die Taste Schnellreinigung gleichzeitig mindestens drei Sekunden lang gedrückt gehalten werden. Wenn die Verriegelung erfolgreich war, wird "Loc ON" angezeigt.

Das Tastenfeld wird entriegelt, wenn die "1"-Taste und die Taste Schnellreinigung gleichzeitig mindestens drei Sekunden lang gedrückt gehalten werden. Wenn die Entriegelung erfolgreich war, wird "Loc OFF" angezeigt.

Hinweis: Wenn das Tastenfeld verriegelt ist, kann der Motor trotzdem gestoppt werden; drücken Sie dazu die Start/Stopp-Taste. Der Motor kann allerdings erst wieder gestartet werden, nachdem der Benutzer das Tastenfeld entriegelt hat.

Werkseinstellung

Der Antrieb kann erforderlichenfalls auf die Werkseinstellung zurückgesetzt werden. Durch eine Wiederherstellung der Werkseinstellung werden alle gespeicherten programmierten Benutzereinstellungen mit Ausnahme der Uhrzeit gelöscht. Bevor Sie die Werkseinstellungen wiederherstellen, überzeugen Sie sich davon, dass dies wirklich notwendig ist, da die Ergebnisse unwiderruflich sind.

So stellen Sie die Werkseinstellungen wieder her:

1. Stoppen Sie die Pumpe erforderlichenfalls durch Drücken der **Start/Stopp**-Taste.
2. Notieren Sie alle benutzerdefinierten Programmeinstellungen mithilfe von **Tabelle 3**. Sie finden sämtliche Einstellungen, indem Sie die Tasten "1", "2", "3" und "**Schnellreinigung**" drücken und durch alle Bildschirme blättern. Notieren Sie auch die Ansaugdrehzahl.
3. Halten Sie die Tasten "1", "2", "3" und "**Schnellreinigung**" 3 Sekunden gedrückt.
4. Auf dem Bildschirm wird "FACT rSt" angezeigt, wenn die Werkseinstellungen erfolgreich wiederhergestellt wurden. Siehe **Abbildung 14**.
5. Nach der Wiederherstellung der Werkseinstellungen müssen das Programm und die Ansaugdrehzahl neu programmiert werden. Die Pumpe muss mithilfe der **Start/Stopp**-Taste wieder eingeschaltet werden, bevor sie wieder läuft. Bei der ersten Inbetriebnahme durchläuft die Pumpe das festgelegte Programm.

Hinweis: Die Werkseinstellungen können nicht wiederhergestellt werden, wenn das Tastenfeld verriegelt ist.



Abbildung 14: Werkseinstellung des Antriebs

	Drehzahl (U/min)	Dauer (Stunden)	Startzeit (Zeitsteuerung)
DREHZAHL 1			
DREHZAHL 2			
DREHZAHL 3			
SCHNELL- REINI- GUNG			
Ansaugdrehzahl			

Tabelle 3: Benutzerdefinierte Programmierung

WARNING

Siebkorb NICHT öffnen, wenn die VS2 Pumpe mit drehzahlvariablem Antrieb nicht ansaugt oder die Pumpe ohne Wasser im Siebkorb betrieben worden ist. Wenn eine Pumpe unter diesen Bedingungen betrieben wird, kann es zum Aufbau eines Dampfdrucks kommen und die Pumpe kann siedend heißes Wasser enthalten. Wenn die Pumpe geöffnet wird, kann es zu schweren Verletzungen kommen. Stellen Sie sicher, dass die Saug- und Druckventile geöffnet sind und der Siebtopf sich kühl anfühlt, um mögliche Verletzungen zu vermeiden. Dann sehr vorsichtig öffnen.

CAUTION

Zur Vermeidung von Schäden an der Pumpe und zur Gewährleistung eines einwandfreien Betriebs der Anlage müssen die Pumpensieb- und Skimmerkörbe regelmäßig gereinigt werden.

Pumpensiebkorb

Der Pumpensiebkorb (oder Siebtopf, Haar- und Flusentopf) befindet sich an der Vorderseite des Spiralgehäuses. In der Kammer befindet sich der Korb. Er muss jederzeit frei von Blättern und Schmutzpartikeln gehalten werden. Schauen Sie durch den durchsichtigen Deckel in den Korb, um ihn auf Vorhandensein von Blättern und Schmutzpartikeln zu überprüfen.

Der Korb muss unabhängig von der Häufigkeit der Filterreinigung mindestens einmal wöchentlich einer Sichtprüfung unterzogen werden.

Reinigung des Pumpensiebkorbs

1. Drücken Sie die **Start/Stop**-Taste, um die Pumpe anzuhalten, und schalten Sie die Pumpe am Hauptschalter ab.
2. Lassen Sie Druck aus dem System ab, indem Sie das Wasser auskühlen lassen.
3. Drücken Sie den Klemmring sanft im Gegenuhrzeigersinn um Klemmring und Deckel zu entfernen.
4. Entfernen Sie Fremdkörper und spülen Sie den Korb aus. Tauschen Sie den Korb aus, wenn er Sprünge aufweist.
5. Montieren Sie den Korb wieder im Gehäuse. Richten Sie die Aussparungsnocke am Boden des Korbs mit dem Zapfen am Boden des Spiralgehäuses aus.
6. Füllen Sie den Pumpentopf und das Gehäuse bis zur Einlassöffnung mit Wasser.
7. Reinigen Sie die Abdeckung, den O-Ring und die Dichtfläche des Pumpentopfs. **Hinweis:** Es ist wichtig, dass der O-Ring des Deckels sauber und gut geschmiert bleibt.
8. Montieren Sie dem Deckel wieder, indem Sie den Deckel auf den Topf setzen. Stellen Sie sicher, dass der O-Ring richtig eingelegt ist. Positionieren Sie den Klemmring und den Deckel wieder auf der Pumpe und drehen Sie sie im Uhrzeigersinn, bis die Griffe horizontal sind.
9. Schalten Sie die Spannungsversorgung am Leistungsschalter im Haus ein. Stellen Sie die Zeitschaltuhr für den Pool erforderlichenfalls wieder auf die richtige Zeit.
10. Öffnen Sie das manuelle Filterentlüftungsventil oben auf dem Filter.
11. Einen sicheren Abstand zum Filter halten. Starten Sie die Pumpe.
12. Entlüften Sie den Filter, bis ein gleichmäßiger Wasserstrahl

Überwinterung

Sie sind dafür verantwortlich, auf den Eintritt von Frost zu achten. Wenn Frost zu erwarten ist, gehen Sie wie folgt vor, um das Risiko von Frostschäden zu verringern. **Frostschäden fallen nicht unter die Garantie.**

Um Frostschäden zu vermeiden, gehen Sie wie folgt vor:

1. Drücken Sie die **Start/Stop**-Taste, um die Pumpe anzuhalten, und schalten Sie die Stromversorgung der Pumpe am Hauptschalter ab.
2. Lassen Sie das Wasser aus dem Pumpengehäuse ab, indem Sie die beiden Ablassschrauben am Pumpengehäuse herausdrehen. Die Stopfen in den Pumpenkorb legen und darin aufbewahren.
3. Decken Sie den Motor ab, um ihn vor starkem Regen, Schnee und Eis zu schützen.

Hinweis: Wickeln Sie den Motor während der Überwinterung nicht in Kunststoffmaterial oder anderes luftdichtes Material ein. Der Motor kann bei einem Sturm, während der Überwinterung usw. abgedeckt werden. Er darf aber nie abgedeckt werden, wenn er in Betrieb ist oder wenn davon auszugehen ist, dass er in Betrieb genommen wird.

Hinweis: In milden Regionen, in denen vorübergehend Frost möglich ist, muss die Filteranlage die ganze Nacht laufen, um ein Gefrieren zu vermeiden.

WARNING**DIESES SYSTEM ARBEITET UNTER HOHEM DRUCK**

Wenn ein Teil der Umwälzanlage (d. h. Sicherungsring, Pumpe, Filter, Ventile usw.) gewartet wird, kann Luft in das System gelangen und zu einem Druckaufbau führen. Der Druck kann dazu führen, dass der Deckel abgerissen wird, was zu schweren Verletzungen, Tod oder Sachschäden führen kann. Beachten Sie die obigen Anweisungen, um diese potentielle Gefahr zu vermeiden.



austritt. Schließen Sie das manuelle Entlüftungsventil.

SERVICE



WARNING Vor Wartungsarbeiten an der VS2 Pumpe mit drehzahlvariablem Antrieb immer die Netzspannung zur Pool-Pumpe am Leistungsschalter ausschalten und das Kommunikationskabel abtrennen. Die Nichtbeachtung dieser Anweisung kann einen Stromschlag bewirken und zum Tod oder zu schweren Verletzungen von Servicetechnikern, Benutzern oder anderen Personen führen. Lesen Sie alle Wartungsanweisungen, bevor Sie Arbeiten an der Pumpe ausführen.



WARNING Siebtopf **NICHT** öffnen, wenn die Pumpe nicht ansaugt oder ohne Wasser im Siebtopf betrieben worden ist. Wenn eine Pumpe unter diesen Bedingungen betrieben wird, kann es zum Aufbau eines Dampfdrucks kommen und die Pumpe kann siedend heißes Wasser enthalten. Wenn die Pumpe geöffnet wird, kann es zu schweren Verletzungen kommen. Stellen Sie sicher, dass die Saug- und Druckventile geöffnet sind und der Siebtopf sich kühl anfühlt, um mögliche Verletzungen zu vermeiden. Dann sehr vorsichtig öffnen.



CAUTION Achten Sie darauf, die polierten Flächen der Wellendichtung nicht zu zerkratzen bzw. zu beschädigen, da anderenfalls die Dichtung bei Beschädigung dieser Flächen undicht wird. Die polierten und geläppten Dichtungsflächen können beschädigt werden, wenn sie nicht mit der entsprechenden Sorgfalt behandelt werden.

Pflege des Elektromotors

Vor Hitze schützen

1. Schützen Sie den Motor vor Sonneneinstrahlung.
2. Alle Gehäuse müssen gut belüftet werden, um ein Überhitzen zu vermeiden.
3. Sorgen Sie für ausreichende Querbelüftung.

Vor Schmutz schützen

1. Vor Fremdkörpern schützen.
2. Lagern (oder verschütten) Sie keine Pool-Chemikalien auf dem Motor oder in der Nähe des Motors.
3. In der Nähe des Motors möglichst nicht kehren oder keinen Staub aufwirbeln, wenn der Motor in Betrieb ist.
4. Wenn ein Motor durch Staub beschädigt wird, kann die Garantie für den Motor erlöschen.
5. Reinigen Sie Deckel und Klemmring, O-Ring und die Dichtfläche des Pumpentopfs.

Vor Feuchtigkeit schützen

1. Gegen Spritz- oder Sprühwasser aus dem Pool schützen.
2. Vor extremen Wetterbedingungen wie Überflutung schützen.
3. Wenn der Innenraum des Motors nass geworden ist, muss er zuerst trocken, bevor er wieder in Betrieb genommen wird. Pumpe nicht betreiben, wenn sie überschwemmt wurde.
4. Wenn ein Motor durch Wasser beschädigt wird, kann die Garantie für den Motor erlöschen.

Auswechseln der Wellendichtung

Die Wellendichtung besteht hauptsächlich aus zwei Teilen, einem drehenden Teil und einer Keramikdichtung.

Die Pumpe erfordert wenig oder überhaupt keine Wartung außer angemessener Pflege, wobei jedoch möglicherweise eine Wellendichtung gelegentlich beschädigt wird und ausgetauscht werden muss.

Hinweis: Die polierten und geläppten Flächen der Dichtung können bei nicht sorgsamer Behandlung beschädigt werden.

Zerlegung der Pumpe

Alle beweglichen Teile befinden sich in der hinteren Unterbaugruppe dieser Pumpe.

Erforderliche Werkzeuge

- 1/4 Zoll Steckschlüssel oder offener Schraubenschlüssel
- 3/8 Zoll Steckschlüssel oder offener Schraubenschlüssel
- 9/16" Maulschlüssel
- 1/4 Zoll Inbusschlüssel

- Schlitzschraubendreher

Gehen Sie wie folgt vor, um die Motor-Unterbaugruppe zu entfernen oder zu reparieren:

1. Drücken Sie die **Start/Stop**-Taste, um die Pumpe anzuhalten, und schalten Sie den Trennschalter der Pumpe an der Haupttafel ab.
2. Ablasstopfen entfernen, um die Pumpe zu entleeren.
3. Entfernen Sie die vier Schrauben, mit denen der Hauptpumpenkörper (Siebkorb/Gehäuse) an der hinteren Unterbaugruppe befestigt ist.
4. Ziehen Sie die beiden Pumpenhälften **VORSICHTIG** auseinander und entnehmen Sie die hintere Unterbaugruppe.
5. Entfernen Sie die drei Sechskantschrauben, mit denen der Diffusor in Position gehalten wird.
6. Halten Sie das Laufrad sicher in seiner Position fest und entfernen Sie die Befestigungsschraube des Laufrads mit einem Schlitzschraubendreher oder einem Schraubenschlüssel. Die Schraube hat ein Linksgewinde und wird zum Lösen im Uhrzeigersinn gedreht.
7. Um das Laufrad von der Welle zu schrauben, führen Sie einen 1/4" Inbusschlüssel in der Mitte der Abdeckung des Motorventilators ein und drehen Sie das Laufrad im Gegenuhrzeigersinn.
8. Entfernen Sie die vier Schrauben von der Dichtungsplatte am Motor mit einem 9/16" Schraubenschlüssel.
9. Legen Sie die Dichtungsplatte mit der Oberseite nach unten auf eine ebene Fläche und drücken Sie die keramische Dichtung heraus.
10. Reinigen Sie die Dichtungsplatte, das Dichtungsgehäuse und die Motorwelle.



CAUTION **Pumpe NICHT trocken laufen lassen.** Wenn die Pumpe trocken läuft, wird die mechanische Dichtung beschädigt und die Pumpe wird undicht. Wenn dies der Fall ist, muss die beschädigte Dichtung ersetzt werden. Achten Sie **IMMER** auf einen ausreichenden Wasserstand. Achten Sie **IMMER** auf einen ausreichenden Wasserstand. Wenn der Wasserstand unter den Sauganschluss fällt, saugt die Pumpe Luft durch den Sauganschluss an, wodurch nicht mehr angesaugt wird und die Pumpe trocken läuft, was zu einer Beschädigung der Dichtung führt. Wenn die Pumpe so weiter betrieben wird, könnte es zu einem Druckverlust kommen, der zu Schäden am Pumpengehäuse, am Laufrad und an der Dichtung sowie zu Sachschäden und Verletzungen führen könnte.

Wiederzusammenbau der Pumpe

1. Verwenden Sie beim Einbauen der Ersatzdichtung in die Dichtungsplatte Seifenwasser, um den Gummischuh anzufeuchten, bevor Sie die Dichtung in die Dichtungsplatte drücken.
2. Die Dichtungsplatte wieder am Motor montieren.
3. Bevor Sie den drehbaren Teil der Dichtung auf der Motorwelle montieren, befeuchten Sie die Motorwelle mit Seifenwasser und schieben Sie die Dichtung auf die Motorwelle. Überzeugen Sie sich, dass die Kohlenstofffläche Kontakt mit der keramischen Fläche des stationären Sitzes hat. Drücken Sie die Dichtung mit den Daumen in die Dichtungsplatte und wischen Sie die Keramik- und Kohlenstoffflächen mit einem sauberen Tuch ab.
4. Schrauben Sie das Laufrad auf die Motorwelle (im Uhrzeigersinn festdrehen)
5. Schrauben Sie die Laufradsicherungsschraube fest (gegen den Uhrzeigersinn anziehen).

Hinweis: Führen Sie einen 1/4" Sechskant-Inbusschlüssel durch die Öffnung in der Abdeckung des hinteren Motorlüfters in die Motorwelle ein. Dadurch wird verhindert, dass sich die Motorwelle dreht und Sie in die Laufradsicherungsschraube schrauben.

6. Diffusor auf die Dichtungsplatte montieren. Gewährleisten Sie die korrekte Ausrichtung der Kunststoffstifte und Bohrungen für die Befestigungsschrauben.
7. Fetten Sie vor dem Zusammenbau die Diffusordichtung und den O-Ring ein.
8. Montieren Sie die Motorunterbaugruppe auf das Siebtopf-/Pumpengehäuse. Ziehen Sie die Durchgangsschrauben fest, bis alle vier Schrauben eingesetzt und von Hand festgeschraubt sind.
9. Die Pumpe mit Wasser füllen.
10. Montieren Sie den Pumpendeckel und den Kunststoff-Klemmring, siehe nächsten Abschnitt

"Anweisungen für den Neustart".

11. Lassen Sie das System neu ansaugen. Anweisungen für den Neustart

Wenn die VS2 Pumpe mit drehzahlvariablem Antrieb im Pool unterhalb des Wasserspiegels montiert ist, müssen die Rücklauf- und Saugleitungen geschlossen werden, bevor der Haar- und Flusentopf an der Pumpe geöffnet wird. Vor dem Betrieb müssen die Ventile wieder geöffnet werden.

Vorfüllen der Pumpe

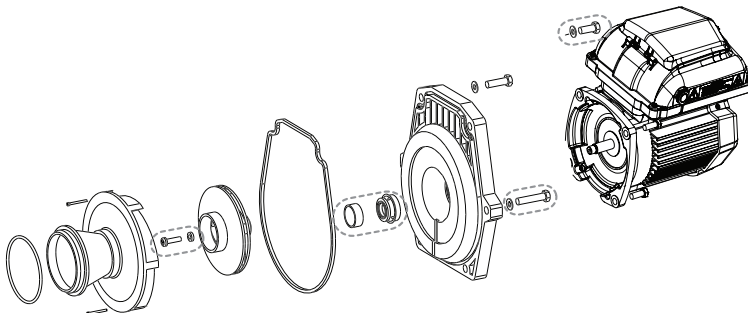
Der Pumpensiebtopf muss mit Wasser gefüllt werden, bevor die Pumpe erstmals gestartet wird.

Gehen Sie wie folgt vor, um ein Ansaugen der Pumpe durchzuführen:

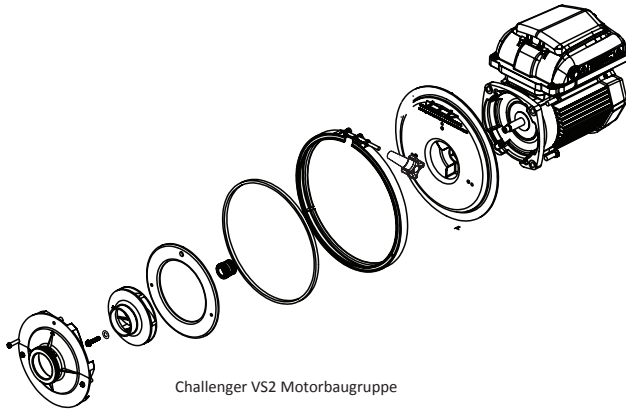
12. Entfernen Sie den Kunststoffklemmring des Pumpendeckels. Entfernen Sie den Pumpendeckel.
13. Pumpensiebtopf mit Wasser füllen.
14. Montieren Sie die Pumpenabdeckung und den Kunststoffklemmring wieder auf dem Siebtopf. Die Pumpe ist jetzt bereit zum Ansaugen.
15. Entlüftungsventil am Filter öffnen und sicheren Abstand zum Filter halten.
16. Schalten Sie die Stromzufuhr zur Pumpe ein.
17. Drücken Sie die **Start/Stop**-Taste am Tastenfeld des Antriebs. Wenn die Pumpe korrekt programmiert wurde, startet sie.

Hinweis: Wenn die Pumpe nicht laut Programm startet, drücken Sie die **Drehzahl**-Taste, um eine manuelle Übersteuerung zu starten, mit der die Pumpe gestartet wird.

18. Das Ventil schließen, sobald Wasser aus dem Entlüftungsventil austritt. Das System sollte nun frei von Luft sein und Wasser zum und vom Pool pumpen.



WhisperFlo VS2
Motorbaugruppe



Challenger VS2 Motorbaugruppe

TROUBLESHOOTING

⚠ WARNING Für die Diagnose bestimmter Symptome ist eventuell eine enge Interaktion mit, bzw. ein Arbeiten in der Nähe von Bauteilen erforderlich, die unter Elektrizität stehen. Kontakt mit Elektrizität kann zum Tod, zu Verletzungen und Sachschäden führen. Wenn Sie bei der Problembehebung Probleme haben, lassen Sie eine Diagnose, bei der Elektrizität im Spiel ist, von einem zugelassenen Experten durchführen.

Problem	Mögliche Ursache	Korrekturmaßnahme
Pumpenstörung.	<p>Pumpe saugt nicht an- Luft tritt aus, zu viel Luft.</p> <p>Pumpe saugt nicht an- Nicht genug Wasser.</p> <p>Pumpensiebkorb ist verstopft.</p> <p>Pumpensiebkorb ist beschädigt.</p>	<p>Saugleitung und Stopfbuchsen an allen Saugschiebern kontrollieren. Deckel auf dem Pumpensiebtopf festdrehen und sicherstellen, dass die Deckeldichtung eingelegt ist. Wasserstand prüfen, um sicherzustellen, dass der Skimmer keine Luft ansaugt.</p> <p>Sicherstellen, dass Saugleitungen, Pumpe, Sieb und Pumpengehäuse mit Wasser gefüllt sind. Überprüfen Sie, ob das Ventil an der Saugleitung arbeitet und geöffnet ist (einige Systeme haben keine Ventile). Wasserstand prüfen, um sicherzustellen, dass Wasser über den Skimmer angesaugt wird.</p> <p>Pumpensiebtopf reinigen.</p> <p>Korb auswechseln.</p>

Troubleshooting (Fortsetzung)

<p>Verringerte Leistung und/oder Förderhöhe.</p>	<p>Luftblasen oder Lecks in der Saugleitung.</p> <p>Laufrad ist verstopft.</p> <p>Pumpensieb verstopft.</p>	<p>Saugleitung und Stopfbuchsen an allen Saugschiebern kontrollieren. Deckel auf dem Pumpensiebtopf festdrehen und sicherstellen, dass die Deckeldichtung eingelegt ist. Wasserstand prüfen, um sicherzustellen, dass der Skimmer keine Luft ansaugt.</p> <p>Stromversorgung für die Pumpe ausschalten. Zerlegen Sie die Pumpe (siehe Seite 14, "Zerlegung der Pumpe")</p> <p>Schmutz vom Laufrad entfernen. Wenn sich der Schmutz nicht entfernen lässt, wie folgt vorgehen:</p> <ol style="list-style-type: none"> 1. Entfernen Sie die Sicherungsschraube mit Linksgewinde und den O-Ring. 2. Nehmen Sie das Laufrad ab, reinigen sie es und montieren Sie es wieder. <p>Bauen Sie die Pumpe wieder zusammen (siehe Seite 15, "Erneuter Zusammenbau der Pumpe")</p> <p>Reinigen Sie den Ansaugabscheider.</p>
<p>Pumpe startet nicht.</p>	<p>Netzspannung fehlt</p> <p>Pumpenwelle ist arretiert</p> <p>Pumpenwelle ist beschädigt</p>	<ol style="list-style-type: none"> 1. Tauschen Sie die Sicherung aus, setzen Sie den Netztrennschalter/FI zurück. 2. Ziehen Sie die Anschlüsse der Netzkabel fest. <p>Prüfen Sie, ob die Pumpe von Hand gedreht werden kann und entfernen Sie etwaige Blockaden.</p> <p>Tauschen Sie die Pumpe aus.</p>
<p>Die Pumpe läuft und stoppt dann.</p>	<p>FEHLER Überhitzung</p> <p>FEHLER Überstrom</p>	<p>Prüfen Sie, ob die Pumpenrückseite frei von Schmutz und Fremdkörpern ist. Reinigen Sie mit Druckluft.</p> <p>Die Pumpe wird nach einer (1) Minute automatisch neu gestartet.</p>
<p>Die Pumpe ist laut.</p>	<p>Fremdkörper in Kontakt mit dem Ventilator</p> <p>Fremdkörper im Siebkorb</p> <p>Lockere Montage</p>	<p>Prüfen Sie, ob die Pumpenrückseite frei von Schmutz und Fremdkörpern ist. Reinigen Sie mit Druckluft.</p> <p>Reinigen Sie den Siebkorb.</p> <p>Prüfen Sie, ob die Montageschrauben der Pumpe fest angezogen sind.</p>
<p>Problem</p>	<p>Mögliche Ursache</p>	<p>Korrekturmaßnahme</p>
<p>Pumpe läuft ohne Durchfluss.</p>	<p>Der Ventilator ist locker</p> <p>Luftaustritt</p> <p>Verstopfte oder beeinträchtigte Rohre</p>	<p>Prüfen Sie, ob die Pumpe dreht, indem Sie den Ventilator auf der Rückseite der VS2 Pumpe mit drehzahlvariablem Antrieb beobachten. Wenn das der Fall ist, prüfen Sie, ob das Laufrad der Pumpe korrekt installiert ist.</p> <p>Prüfen Sie die Rohranschlüsse und stellen Sie sicher, dass sie dicht sind.</p> <p>Prüfen Sie auf Blockaden auf der Sieb- bzw. Ansaugseite der Verrohrung.</p> <p>Prüfen Sie auf blockierte Abflussleitungen inklusive teilweise geschlossene Ventile oder schmutzige Poolfilter.</p>

Fehler und Alarme

Wenn ein Alarm ausgelöst wird, zeigt der LCD-Bildschirm des Antriebs den Text des Fehlercodes an und die VS2 Pumpe mit drehzahlvariablem Antrieb wird gestoppt. Trennen Sie die Stromversorgung zur Pumpe ab und warten Sie, bis alle LEDs am Tastenfeld erloschen sind. Stellen Sie dann die Stromversorgung der Pumpe wieder her. Falls der Fehler dann nicht behoben ist, ist ein entsprechendes Troubleshooting erforderlich. Verwenden Sie die nachfolgende Fehlerbeschreibungstabelle, um mit dem Troubleshooting zu beginnen.

Fault Code	Description
21	Communication link between HMI and motor control has been lost
1A	Power Module over current detected
17	Phase Current Offset out of range
1b	Phase Current Imbalance detected
0F	Absolute AC under voltage detected
02	Absolute Phase current limit exceeded
08	Absolute Diode Bridge temperature limit exceeded
04	Absolute Power Module temperature limit exceeded
06	Absolute Power Factor Correction (PFC) temperature limit exceeded
09	DC bus over voltage detected
0A	DC bus under voltage detected

21 – Keine Kommunikation zwischen HMI und Motorsteuerung: Überprüfen Sie den ummantelten Draht auf der Rückseite des Tastenfelds im Inneren der oberen Abdeckung des Antriebs. Vergewissern Sie sich, dass der 5-polige Stecker richtig in die Buchse eingesteckt ist und dass das Kabel unbeschädigt ist.

1A – Überstrom im Leistungsmodul entdeckt: Wenn dieser Fehler mehrfach angezeigt wird, kann ein Problem mit den rotierenden Pumpenteilen vorliegen. Bitte zerlegen Sie die Pumpe und überprüfen Sie, ob es ein Problem mit dem Laufrad oder der mechanischen Dichtung gibt. Anweisungen zum Zerlegen der Pumpe finden Sie auf Seite 14 "Zerlegung der Pumpe".

0F – Absolute Wechselspannungsunterversorgung: Deutet darauf hin, dass die Versorgungsspannung unter den Betriebsbereich von 99 V gefallen ist. Das kann durch eine normale Spannungsschwankung hervorgerufen werden und löst sich von selbst. Anderenfalls könnte es durch eine übermäßige Spannungsabsenkung aufgrund einer inkorrekten Installation oder falschen Versorgungsspannung hervorgerufen werden.

17, 1b, 02, 08, 04, 06, 09, 0A – Interne Fehler: Diese Fehler können aufgrund der Betriebsbedingungen und der gemäß UL 60730 erforderlichen Selbstdiagnosesicherheitssoftware hervorgerufen werden. Wenn sie nach mehreren Neustartversuchen nicht beseitigt sind, muss der Antrieb einer Komplettabschaltung unterzogen werden. Trennen Sie die Hauptstromversorgung, indem Sie den Trennschalter solange abschalten, bis die LEDs des Tastenfelds erlöschen. Wenn nach Wiederherstellung der Stromversorgung einer dieser Fehler immer noch auftritt, benötigt der Antrieb eine Wartung.

Technische Daten der Pumpe

Allgemeine Nenndaten

Eingangsspannung	115–230 V eff Nennspannung
Eingangsstrom	13,2/12,0–11,5 A
Eingangsfrequenz	Einphasig, 50 oder 60 Hz
Steuerungsanschlüsse	18–30 V AC (24 V AC +/- 20 %) oder 9–30 V DC (12/24 V DC +/- 20 %)
Maximale Dauerlast	2,0 THP (Gesamt-PS)
Drehzahlbereich	300–3450 U/min
Umweltkennzeichen	NEMA Typ 3
Umgebungsbedingungen	
Lagerung	-40 °C bis +85 °C
Betrieb	0° C bis +50 °C
Feuchtigkeit	Relativ 0 bis 95 % nicht kondensierend

AVERTISSEMENTS ET CONSIGNES DE SECURITE IMPORTANTS DE LA POMPE



REMARQUE IMPORTANTE

Ce guide procure des instructions relatives à l'installation et au fonctionnement de la pompe à vitesse variable. Consultez Pentair si vous avez des questions concernant cet équipement.

A l'attention de l'installateur: ce guide présente une série d'instructions importantes concernant l'installation, le fonctionnement et l'utilisation sans risque de ce produit. Ces informations doivent être transmises au propriétaire et/ou à l'opérateur de cet équipement après l'installation ou laissées sur ou près de la pompe.

A l'attention de l'utilisateur: ce manuel contient d'importantes informations qui vous aideront à utiliser et entretenir ce produit. Veuillez le conserver pour pouvoir vous y reporter ultérieurement. Avertissements et instructions de sécurité pour Pentair Aquatic Systems. Pompes et autres produits connexes disponibles sur :

<http://www.pentairpool.com/pool-owner/safety-warnings/> pour des copies supplémentaires gratuites des présentes instructions.

LISEZ ET SUIVEZ TOUTES LES INSTRUCTIONS SAUVEGARDEZ CES INSTRUCTIONS



Voici le symbole d'alerte de sécurité. Lorsque vous apercevez ce symbole dans votre système ou sur ce manuel, recherchez un des mots clés suivants et soyez vigilant au risque de dommages corporels.



DANGER

Avertissements relatifs à des risques pouvant potentiellement provoquer la mort, des dommages corporels ou matériels graves s'ils sont ignorés.



WARNING

Avertissements relatifs à des risques susceptibles de provoquer la mort, des dommages corporels ou matériels graves s'ils sont ignorés.



CAUTION

Avertissements relatifs à des risques pouvant potentiellement ou susceptibles de provoquer des dommages ou matériels mineurs s'ils sont ignorés.

NOTE indique des instructions spéciales non liées à des risques.

Lisez attentivement et respectez toutes les instructions de sécurité figurant dans ce manuel et sur l'équipement. Gardez les étiquettes de sécurité en bon état et remplacez-les si elles manquent ou sont abîmées.

Lors de l'installation et de l'utilisation de cet équipement électrique, prenez toujours des précautions de sécurité élémentaires, notamment :



WARNING

N'autorisez pas les enfants à utiliser ce produit.

RISQUE DE DÉCHARGE ÉLECTRIQUE. Raccordez seulement à un circuit



WARNING

dérivé protégé par un disjoncteur-détecteur de fuites à la terre (GFCI). Contactez un électricien qualifié si vous ne pouvez pas vérifier que le circuit est protégé

par un GFCI.



WARNING

L'unité doit seulement être reliée à un circuit d'alimentation protégé par un disjoncteur-détecteur de fuites à la terre (GFCI). Ce GFCI doit être fourni par l'installateur et testé régulièrement. Pour tester le GFCI, appuyez sur le bouton de test. Le GFCI doit interrompre l'alimentation de courant. Appuyez sur le bouton de RAZ. L'alimentation électrique doit être rétablie. Si le GFCI ne fonctionne pas comme cela, il est défectueux. Si le GFCI interrompt l'alimentation de la pompe sans devoir appuyer sur le bouton de test, un courant à la terre circule, indiquant la possibilité d'un choc électrique. N'utilisez pas cette pompe. Débranchez la pompe et faites-la réparer par un représentant de service qualifié avant de l'utiliser à nouveau.



CAUTION

Cette pompe est destinée à être utilisée avec des piscines à installation permanente et peut également être utilisée avec des

bains à remous et des spas le cas échéant. Ne pas utiliser avec des piscines démontables. Une piscine installée de manière permanente est construite dans le sol, sur le sol ou dans un bâtiment, et ne peut pas être démontée pour être rangée. Une piscine démontable est conçue de manière à pouvoir être démontée rapidement en vue de son rangement et remontée dans son état d'intégrité initial.

Avertissements généraux

- N'ouvrez jamais l'intérieur de l'enceinte du moteur d'entraînement. Même lorsque l'unité n'est pas alimentée, une batterie de condensateurs contient du courant 230 V CA.
- La pompe n'est pas submersible.
- La pompe autorise des débits élevés ; procéder avec précaution lors de l'installation et de la programmation pour limiter le potentiel de performances des pompes avec de l'équipement ancien ou douteux.
- Les exigences du code de connexion électrique diffèrent d'un État à l'autre. Installez l'équipement conformément au Code National Électrique en vigueur et à tous les codes et règlements locaux d'application.
- Avant une intervention sur la pompe, mettez la pompe HORS tension en débranchant la pompe du secteur.
- L'appareil n'est pas conçu pour être utilisé par des personnes (y compris des enfants) ayant des aptitudes physiques, sensorielles ou mentales réduites ou manquant d'expérience et de connaissance, sauf si elles sont supervisées ou ont reçu des instructions concernant l'utilisation de l'appareil par une personne responsable de leur sécurité.
- Une liaison équipotentielle suffisante (min. 4.5mm2 recommandé), conformément à la réglementation locale, est obligatoire sur tous les composants métalliques de la piscine, y compris la pompe de piscine. Ceci est nécessaire pour la sécurité électrique, ainsi qu'à la réduction du risque de corrosion.



DANGER

NE PAS SUIVRE TOUTES LES CONSIGNES ET TOUS LES AVERTISSEMENTS PEUT CAUSER DES BLESSURES CORPORELLES GRAVES, VOIRE LA MORT. SEUL UN PROFESSIONNEL D'ENTRETIEN DE PISCINE QUALIFIÉ PEUT INSTALLER ET ENTRETIENIR CETTE POMPE. LES INSTALLATEURS, OPÉRATEURS ET PROPRIÉTAIRES DE PISCINE DOIVENT LIRE CES AVERTISSEMENTS ET TOUTES LES CONSIGNES DU MANUEL DU PROPRIÉTAIRE AVANT D'UTILISER LA POMPE. CES AVERTISSEMENTS ET LE MANUEL DU PROPRIÉTAIRE DOIVENT ÊTRE LAISSÉS AU PROPRIÉTAIRE DE LA PISCINE.



DANGER

RISQUE D'ASPIRATION : RESTEZ ÉLOIGNÉ(E) DE L'ÉVACUATION PRINCIPALE ET DE TOUTES LES SORTIES D'ASPIRATION !

CETTE POMPE PRODUIT DES NIVEAUX ÉLEVÉS D'ASPIRATION ET CRÉE UNE DÉPRESSION PUISSANTE AU NIVEAU DE L'ÉVACUATION PRINCIPALE AU FOND DE L'EAU. CETTE ASPIRATION EST SI FORTE QU'ELLE PEUT PIÉGER LES ADULTES OU LES ENFANTS SOUS L'EAU S'ILS S'APPROCHENT D'UNE ÉVACUATION OU D'UN COUVERCLE OU D'UNE GRILLE D'ÉVACUATION CASSE(E) OU DESSERRE(E).



DANGER



RISQUE DE CHOC ÉLECTRIQUE OU D'ÉLECTROCUTION : LES POMPES NÉCESSITENT UNE HAUTE TENSION QUI PEUT PROVOQUER DES CHOCs, DES BRULURES, VOIRE LA MORT. AVANT DE TRAVAILLER SUR UNE POMPE ! Toujours débrancher le courant de la pompe de piscine au niveau du disjoncteur de la pompe avant d'intervenir sur la pompe. Tout manquement à cette obligation est susceptible d'entraîner la mort ou d'occasionner des lésions corporelles graves aux utilisateurs de la piscine, aux installateurs ou à d'autres personnes en raison du risque d'électrocution.

L'UTILISATION DE COUVERCLES NON AUTORISÉS A LA PERMISSION D'UTILISER LA PISCINE OU LE SPA LORSQUE LES COUVERCLES SONT FISSURÉS OU CASSÉS PEUT PIÉGER LE CORPS OU UN MEMBRE, ENTRAÎNER UN ENCHEVÊTUREMENT DES CHEVEUX, UNE VISCÉRATION ET/OU PROVOQUER LA MORT.

L'aspiration d'une évacuation ou d'une sortie peut provoquer :

Coïncement d'un membre : si un membre est aspiré ou coincé dans une ouverture, entraînant un piège mécanique ou un gonflement. Ce risque est présent si un couvercle d'évacuation est manquant, cassé, desserré, fissuré ou sécurisé de manière incorrecte.

AVERTISSEMENTS ET INSTRUCTIONS DE SÉCURITÉ IMPORTANTS POUR LES POMPES

Coincement de cheveux : si les cheveux sont enchevêtrés ou coincés dans le couvercle d'évacuation, piégeant par conséquent le nageur sous l'eau. Ce risque est présent si le débit du couvercle est trop faible pour la ou les pompe(s).

Coincement du corps : si une partie du corps est maintenue contre le couvercle d'évacuation piégeant par conséquent le nageur sous l'eau. Ce risque est présent si le couvercle d'évacuation est manquant, cassé ou si le débit n'est pas assez élevé pour la ou les pompe(s).

Éviscération/événement : quand une personne s'assoit sur une piscine ouverte (particulièrement les pataugeoires pour enfant) ou sur la sortie du spa et si l'aspiration est appliquée directement sur les zones intestinales, causant des blessures graves. Ce risque est présent si un couvercle d'évacuation est manquant, desserré, fissuré ou sécurisé de manière incorrecte.

Coincement mécanique : quand des bijoux, un maillot de bain, des décorations pour cheveux, des doigts, des ortels ou des articulations sont pris dans l'ouverture d'une sortie ou d'un couvercle d'évacuation. Ce risque est présent si un couvercle d'évacuation est manquant, cassé, desserré, fissuré ou sécurisé de manière incorrecte.

TOUTES LES TUYAUTERIES D'ASPIRATION DOIVENT ÊTRE INSTALLÉES CONFORMÉMENT AUX DERNIERS CODES, NORMES ET DIRECTIVES NATIONALES ET LOCAUX EN VIGUEUR POUR LES PISCINES, LES SPAS ET LES JACUZZIS.



POUR MINIMISER LES RISQUES DE BLESSURES PAR PIÈGE D'ASPIRATION :

- Les couvercles d'aspiration doivent être installés à au moins 1 mètre l'un de l'autre, du point le plus proche au point le plus proche.
- Inspectez régulièrement tous les couvercles pour vérifier la présence de fissures, de dommages ou d'effritements avancés.
- Si un couvercle est détaché, fissuré, endommagé, cassé ou manquant, remplacez-le par un couvercle certifié correspondant.
- Remplacez les couvercles d'évacuation si nécessaire. Les couvercles d'évacuation se détériorent avec le temps en raison de l'exposition à la lumière du soleil et des conditions météorologiques.
- Ne tenez pas les cheveux, les membres ou le corps à proximité d'un couvercle d'aspiration, de l'évacuation ou la sortie d'une piscine.
- Désactivez les sorties d'aspiration et reconfigurez-les en entrées de retour.



Un commutateur de coupure d'urgence clairement étiqueté pour la pompe doit être placé dans un endroit évident, facilement accessible. Assurez-vous que les utilisateurs savent où il se trouve et comment l'utiliser en cas d'urgence.

La "Virginia Graeme Baker (VGB) Pool and Spa Safety Act" instaure de nouvelles exigences pour les propriétaires et opérateurs de piscines et de spas à vocation commerciale.

Les piscines ou spas à vocation commerciale construits à partir du 19 décembre 2008 utiliseront :

(A) un système d'évacuation principale multiple sans capacité d'isolation avec des couvercles pour ouvertures d'aspiration, conformes à l'"ASME/ANSI A112.19.8a Suction Fittings for Use in Swimming Pools, Wading Pools, Spas, and Hot Tubs" et :

- (i) un système d'anti-atrapement de sécurité (SVRS) conforme à "ASME/ANSI A112.19.17 Manufactured Safety Vacuum Release systems (SVRS) for Residential and Commercial Swimming Pool, Spa, Hot Tub, and Wading Pool Suction Systems" et/ou "ASTM F2387 Standard Specification for Manufactured Safety Vacuum Release Systems (SVRS) for Swimming pools, Spas and Hot Tubs" ou
- (ii) un système de limite d'aspiration correctement conçu et testé ou
- (iii) un système d'arrêt automatique de la pompe.

Les piscines et spas à vocation commerciale, construits avant le 19 décembre 2008, avec une sortie d'aspiration immergée utiliseront un couvercle pour sortie d'aspiration conforme à ASME/ANSI A112.19.8a et au choix :

- (A) un SVRS conforme à ASME/ANSI A112.19.17 et/ou ASTM F2387, ou
- (B) un système de limite d'aspiration correctement conçu et testé ou
- (C) un système d'arrêt automatique de la pompe ou
- (D) des sorties immergées désactivées ou
- (E) des sorties d'aspiration seront reconfigurées en entrées de retour.

Pour l'installation de commandes électriques sur le coussin d'équipements (commutateurs ON/OFF, temporisateurs et centre de charge d'automatisation)



Les commandes électriques comme les interrupteurs marche/arrêt, les timers et les systèmes de commande, devraient être installés pour permettre à la pompe ou au filtre de fonctionner (démarrage, arrêt ou entretien) sans devoir mettre une partie du corps sur ou à proximité du couvercle du pré-filtre de la pompe, du couvercle du filtre ou de la fermeture de la vanne. Une telle installation devrait offrir à l'utilisateur assez de place pour rester éloigné du filtre et de la pompe pendant le démarrage, l'arrêt ou l'entretien du filtre système.



PRESSION DANGEREUSE : ÉLOIGNEZ-VOUS DE LA POMPE ET DU FILTRE PENDANT LE DÉMARRAGE.

Les systèmes de circulation fonctionnent sous haute pression. En cas d'entretien de n'importe quelle pièce du système de circulation (par exemple, bague de retenue, pompe, filtre, vanne etc.), l'air peut entrer dans le système et être pressurisé. L'air sous pression peut séparer violemment le couvercle du boîtier de la pompe, le couvercle du filtre et les vannes, causant des blessures graves voire la mort.

Le couvercle de la bouteille du filtre et le couvercle du pré-filtre doivent être sécurisés pour empêcher toute séparation violente. Restez éloigné du système de circulation lors de la mise en marche ou du démarrage de la pompe.

Avant l'entretien de l'équipement, notez la pression du filtre. Vérifiez que toutes commandes sont positionnées pour garantir que le système ne se mette pas par inadvertance en marche pendant l'entretien. Coupez le courant de la pompe. **IMPORTANT :** mettez la vanne de purge d'air manuelle du filtre en position ouverte et attendez que la pression du système s'évacue.

Avant le démarrage du système, ouvrez entièrement la vanne de purge d'air manuelle et mettez toutes les vannes du système en position "ouverte" pour permettre à l'eau de circuler librement à partir et en direction du réservoir. Restez éloigné de l'équipement et démarrez la pompe.

IMPORTANT : ne fermez pas la vanne de purge d'air manuelle avant que toute la pression soit évacuée et qu'un flux constant d'eau apparaisse. Observez la jauge de pression du filtre et vérifiez qu'elle n'est pas supérieure aux conditions préalables à l'entretien.

Informations d'installation générales

- Tous les travaux doivent être effectués par un électricien qualifié, et doivent être conformes à tous les codes nationaux, régionaux et locaux.
- Prévoir un drainage du compartiment des composants électriques.
- Ces instructions contiennent des informations valables pour une variété de modèles de pompes. Par conséquent, certaines instructions peuvent ne pas s'appliquer à un modèle spécifique. Tous les modèles sont destinés à être utilisés dans des applications pour piscines. La pompe ne fonctionnera correctement que si elle est justement dimensionnée pour l'application spécifique et correctement installée.
- Pour empêcher la circulation d'eau dans le mauvais sens et le desserement de la turbine, l'installation d'une vanne anti-retour après la pompe est vivement conseillé.



Les pompes mal dimensionnées ou installées, ou utilisées dans des applications autres que celles pour lesquelles la pompe a été conçue, peuvent entraîner des blessures graves, voire la mort. De façon non exhaustive, ces risques peuvent inclure un choc électrique, un incendie, une inondation, une prise au piège dans les sorties d'aspiration, des blessures graves ou des dégâts aux biens provoqués par une défaillance structurelle de la pompe ou d'autres composants du système.



La pompe peut produire une aspiration élevée côté aspiration du système de tuyauterie. Ces aspirations élevées peuvent représenter un risque si une personne s'approche trop près des ouvertures d'aspiration. Une personne peut être sérieusement blessée par cette aspiration élevée ou être prise au piège et se noyer. Il est absolument indispensable que la tuyauterie d'aspiration soit installée conformément aux derniers codes nationaux et locaux pour piscines.

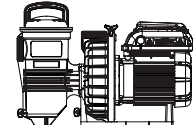
CONSERVEZ CES INSTRUCTIONS

Description de la pompe

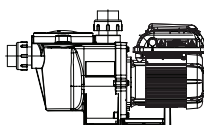
Choix parfait pour tous les types de piscines, la pompe à vitesse variable VS2 a été spécialement conçue pour représenter le meilleur choix pour une multitude de piscines enterrées.

Ses éléments de carrosserie aux parois épaisses, son moteur TEFC pour usage intensif et son hydraulique de très haute technologie font de ce concept robuste et éprouvé la solution parfaite pour tout type de piscine, de spa, d'animation d'eau ou de fontaine.

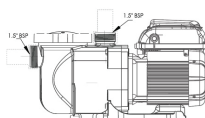
Toutes les pompes de Pentair Aquatic Systems intègrent une technologie hydraulique novatrice qui est peaufinée depuis plus de 40 ans. Compacte, robuste et facile à entretenir, la pompe VS2 offre des années de service fiable.



Challenger VS2 pompe
P/N: CHL-VS2



Whisperflo-VS2 pompe
P/N: WFL-VS2



Superflo-VS2 pompe
P/N: SFL-VS2

Caractéristiques générales

- Fonctionnement extrêmement silencieux
- Raccords unions (1,5" et 2") pour un remplacement aisé
- Couvercle Cam and Ramp™ pour un nettoyage et une maintenance aisés
- Moteur haute résistance refroidi par ventilateur entièrement intégré (TEFC) pour une longue durée de vie.
- La volute et le panier intégrés réduisent le bruit hydraulique
- Ce couvercle permet une inspection aisée du panier-tamis
- Auto-amorçante pour un démarrage rapide et aisé.
- Certifié CE/REACH
- Classement IPX6

Caractéristiques du contrôleur

- Interface utilisateur simple
- Boîtier IPX6 certifié résistant UV et à la pluie
- Heure de bord du programme journalier
- Mode d'amorçage réglable
- Mode Quick Clean programmable

- Affichage et mémorisation des alarmes de diagnostic
- Correction active du facteur de puissance
- Accepte une puissance d'entrée de 99-253 V, 50/60 Hz
- Circuit de protection à limitation automatique de puissance
- Horloge à mémoire 24 h pour les coupures de courant
- Mode verrouillage de clavier
- Accepte les entrées numériques basse tension d'appareils de commandes externes

Description du contrôleur

La pompe à vitesse variable VS2 fait appel à un moteur à vitesse variable à efficacité supérieure qui offre une grande flexibilité de programmation sur le plan des paramètres de vitesse du moteur et de durée. La pompe est conçue pour fonctionner aux vitesses de rotation minimales requises pour maintenir un environnement sain minimisant, à son tour, la consommation d'énergie. Les dimensions de la piscine, la présence d'animations d'eau supplémentaires, les produits chimiques utilisés pour maintenir des conditions sanitaires et les facteurs environnementaux locaux influenceront la programmation optimale requise pour maximiser les économies d'énergie.

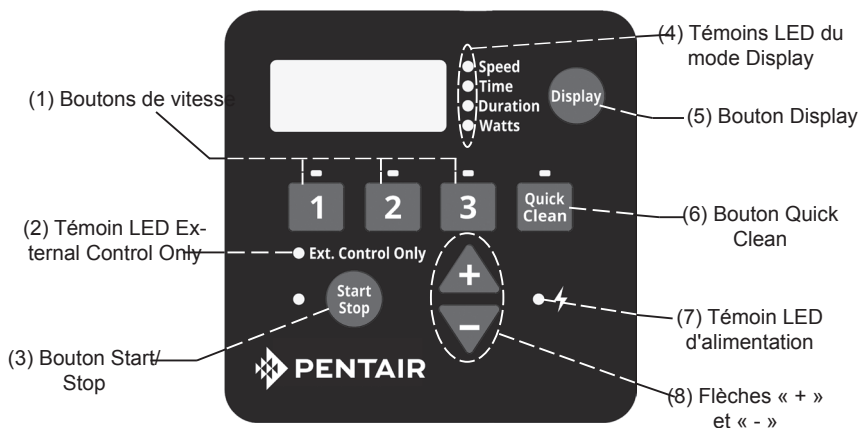
L'interface intégrée de l'électronique commande les réglages

	WARNING Cette pompe est conçue pour fonctionner à une tension nominale de 115/208-230 Vrms et dans des applications de pompe pour piscine UNIQUEMENT. Une connexion à une tension incorrecte ou toute utilisation dans le cadre d'une autre application peut endommager l'équipement ou provoquer des dommages corporels.
--	--

de vitesse et les durées des cycles. La pompe peut fonctionner selon une plage de vitesses de 300 à 3450 tr/min et selon une plage de tension allant de 99 à 253 Vrms avec une fréquence d'entrée de 50 ou 60 Hz. La personnalisation des programmes peut impliquer certains tâtonnements afin de déterminer les réglages les plus satisfaisants en fonction des conditions. Dans la plupart des cas, le réglage de la pompe sur la vitesse de rotation minimale pendant la durée la plus longue constitue la meilleure stratégie en vue de minimiser la consommation d'énergie. Néanmoins, certaines conditions peuvent imposer de faire fonctionner la pompe à des vitesses de rotation plus élevées pendant un certain temps chaque jour afin de maintenir une filtration correcte permettant d'atteindre une hygiène satisfaisante.

Remarque : optimisez la pompe en fonction des conditions individuelles de la piscine. Des conditions spécifiques incluant les dimensions de la piscine, d'autres appareils, des animations et des facteurs environnementaux peuvent toutes influencer sur les réglages optimaux.

DESCRIPTION DU PANNEAU DE COMMANDE



⚠ CAUTION

Si le moteur de la pompe à vitesse variable VS2 est sous tension, il peut être démarré en appuyant sur n'importe lequel des boutons auxquels il est fait référence dans cette section. Tout non-respect de cette instruction peut entraîner une blessure corporelle ou endommager l'équipement.

Navigation du clavier

- Boutons de vitesse** - Utilisés pour sélectionner la vitesse de marche désirée. Les LED situées au-dessus des boutons de vitesse s'allument quand cette vitesse est sélectionnée ou est en cours d'utilisation. Une LED qui clignote indique qu'une commande externe est active sur ce canal de vitesse.
- Témoin LED External Control Only** - Indique que la pompe fonctionne en mode Commande externe uniquement. Lorsque la LED est allumée, le programme est désactivé et la seule entrée provient des commandes externes à basse tension.
- Bouton Start/Stop** - Utilisé pour démarrer/arrêter la pompe. Lorsque la pompe est arrêtée et la LED éteinte, la pompe ne peut pas tourner, quel que soit le type d'action.
- Témoins LED du mode Display** - Une LED allumée indique la nature des informations affichées à l'écran à un moment donné. Une LED qui clignote indique que le paramètre est actuellement en cours de modification.
- Bouton Display** - Utilisé pour basculer entre les différents modes d'affichage disponibles. Ce bouton sert également à régler l'horloge 24 h et la résolution de l'écran.
- Bouton Quick Clean** - Utilisé pour lancer une vitesse et une durée programmées du Quick Clean. Lorsque la LED est allumée, le programme Quick Clean est actif.
- Témoin LED d'alimentation** - La LED allumée signifie que la pompe est sous tension.
- Flèches « + » et « - »** - Servent à effectuer les réglages à l'écran des paramètres de la pompe. La flèche « + » permet d'augmenter la valeur d'un paramètre donné alors que la flèche « - » la diminue. Le fait de maintenir appuyé un des deux boutons permet d'augmenter ou diminuer plus rapidement les modifications par incrément.

La pompe à vitesse variable VS2 doit être obligatoirement installée par un plombier qualifié. Se référer à « **Avertissements et consignes de sécurité de la pompe** » en pages ii-iii au sujet des consignes d'installation supplémentaires et des informations de sécurité.

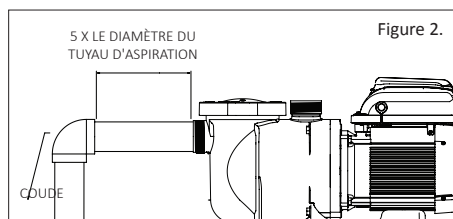
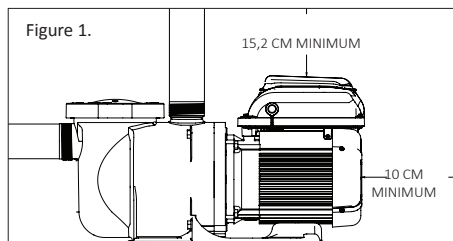
Emplacement

Remarque : ne pas installer cette pompe dans une enceinte extérieure ou sous la jupe d'un bain à remous ou d'un spa sauf mention dans ce sens.

Remarque : assurez-vous que la pompe est mécaniquement fixée au plateau de l'équipement.

Vérifiez que l'emplacement de la pompe répond aux exigences suivantes :

1. Installez la pompe le plus près possible de la piscine ou du spa. Pour réduire les pertes de charge par frottement et améliorer l'efficacité, utilisez des tuyaux d'aspiration et de retour courts et directs.
2. Installez la pompe au minimum à 1,50 m de la paroi intérieure de la piscine et du spa.
3. Installez la pompe au minimum à 1 mètre de la sortie du radiateur.
4. N'installez pas la pompe à plus de 3 mètres au-dessus du niveau d'eau.
5. Installez la pompe dans un endroit bien ventilé et protégé d'une humidité excessive (c.-à-d. tuyaux de descente d'eaux pluviales, arroseurs, etc.).
6. Installez la pompe avec un écart arrière d'au moins 10 cm de sorte que le moteur puisse être démonté facilement pour la maintenance et la réparation. Voir **Figure 1**.



Tuyauterie

1. Pour une tuyauterie de piscine optimisée, il est recommandé d'utiliser une taille de tuyaux plus importante.
2. Le diamètre de la tuyauterie du côté aspiration de la pompe doit être identique ou plus important que celui de la conduite de retour.
3. La tuyauterie du côté aspiration de la pompe doit être la plus courte possible.
4. Pour la plupart des installations, Pentair recommande d'installer une vanne sur les conduites d'aspiration et de retour afin de pouvoir isoler la pompe pendant les travaux d'entretien courants. Cependant, nous recommandons également qu'une vanne, un coude ou un té installés sur la conduite d'aspiration ne soit pas placé à une distance de l'avant de la pompe inférieure à cinq (5) fois le diamètre de la conduite d'aspiration. Voir **Figure 2**.

Exemple : un tuyau de 2,5 pouces (6,35 cm) requiert une ligne droite de 31,8 cm (12,5 pouces) avant l'entrée d'aspiration de la pompe. Cela permettra d'amorcer la pompe plus rapidement et elle fonctionnera plus longtemps.

Remarque : NE PAS installer de coudes à 90° directement à l'entrée ou à la sortie de la pompe.

Raccords et vannes

1. Ne pas installer de coudes à 90° directement à l'entrée de la pompe.
2. Les systèmes d'aspiration immergés doivent avoir des robinets-vannes intégrés dans les tuyaux d'aspiration et de décharge pour la maintenance. Toutefois, le robinet-vanne d'aspiration ne doit pas être plus près que cinq fois le diamètre du tuyau d'aspiration, comme décrit ci-dessus.
3. Utilisez un clapet anti-retour dans la conduite de décharge lorsque vous utilisez cette pompe pour une application où la hauteur est importante par rapport à la tuyauterie placée après la pompe.
4. Installez des clapets anti-retour lorsque la tuyauterie est en parallèle avec une autre pompe. Cela évite les rotations en sens inverse de la turbine et du moteur.

Alimentation électrique requise

- Installez tout l'équipement conformément à votre code national électrique et à tous les codes et règlements locaux en vigueur.
- Il est nécessaire d'intégrer un moyen de déconnexion au câblage fixe conformément aux règles de câblage.



RISQUE DE CHOC ÉLECTRIQUE OU D'ÉLECTROCUTION. La pompe à vitesse variable doit être installée par un électricien agréé ou certifié ou un technicien de service qualifié conformément au Code National Électrique et à tous les codes et règlements locaux en vigueur. Une installation incorrecte risque de présenter un danger électrique pouvant entraîner la mort ou des blessures graves aux utilisateurs, aux installateurs ou à d'autres personnes en raison du choc électrique ; elle peut également endommager les biens.



Débranchez toujours le courant de la pompe de piscine au niveau du disjoncteur avant d'intervenir sur la pompe. Tout manquement à cette obligation est susceptible d'entraîner la mort ou d'occasionner des dommages corporels graves aux techniciens de service, aux utilisateurs de la piscine ou à d'autres personnes en raison du risque de choc électrique et/ou de dommage matériel. Lisez toutes les instructions d'entretien avant d'intervenir sur la pompe.

Description et installation du câblage



Le courant doit être coupé lors de l'installation, de l'entretien ou de la réparation de composants électriques. Observez tous les avertissements apposés sur l'équipement existant, la pompe ainsi que dans les présentes instructions d'installation.

La pompe doit être câblée conformément aux codes et normes électriques locales. Reportez-vous toujours au Code National Électrique. Cette pompe doit être installée par un électricien agréé.

La pompe accepte une alimentation électrique monophasée de 99-253 V, 50 ou 60 Hz. Les raccordements du bornier peuvent accueillir du câble massif ou torsadé de 10 AWG au maximum. Il existe également des raccords rapides de type Faston. Cependant, vérifiez les codes électriques locaux au sujet de la méthode de raccordement voulue. Les raccordements doivent être effectués de manière fixe à la borne de mise à la terre (voir **Figure 3**) dans le compartiment du câblage d'excitation conformément au code électrique local. Le boîtier de commande du moteur va automatiquement réguler la vitesse de la pompe lorsqu'elle tourne à basse tension afin de maintenir le courant en dessous de 13,2 A. Aucun changement de câblage n'est nécessaire pour faire fonctionner la pompe avec un courant nominal de 110 V, on utilise les mêmes bornes que pour un câblage haute tension.

La commande fonctionne sur les systèmes électriques biphasés Ligne-Ligne-Terre ainsi que sur les systèmes Ligne-Neutre-Terre. Cette pompe doit être raccordée en permanence à un disjoncteur selon les spécifications du code électrique local.

1. Vérifiez que tous les interrupteurs et disjoncteurs électriques sont coupés avant de raccorder le moteur. Attendez toujours cinq (5) minutes après avoir coupé l'alimentation électrique de la pompe avant d'ouvrir ou d'entretenir le système d'entraînement.
2. Choisissez une taille de câble adaptée à la pompe, conformément au Code National Électrique et à tous les codes et règlements locaux en vigueur. En cas de doute, utilisez un fil de plus gros diamètre. Vérifiez que la tension du câblage correspond à la plage de fonctionnement.
3. Vérifiez que toutes les connexions électriques sont propres et étanches.
4. Coupez les fils à la longueur appropriée de sorte qu'ils ne se chevauchent ou ne se touchent pas quand ils sont connectés au bornier.
5. Mettez à demeure le moteur à la terre à l'aide de la vis de terre située sur la face arrière intérieure de l'interface du contrôleur (voir **Figure 3**). Utiliser la taille de fil correcte et le type spécifié par le Code National Électrique. Vérifiez que le fil de terre est relié à une terre électrique adéquate.
6. Raccordez le moteur à toutes les pièces métalliques de la structure de la piscine et à l'ensemble des équipements électriques, conduites ou tuyauteries métalliques se trouvant à moins de 1,5 m des parois intérieures de la piscine, du spa ou

du bain à remous conformément au Code National Électrique en vigueur. UL requiert l'utilisation d'un conducteur de raccordement en cuivre massif qui ne soit pas inférieur à 8 AWG. Voir **Figure 3**.

Remarque : au Canada, un conducteur de raccordement en cuivre massif de 6 AWG ou plus est obligatoire.

7. La pompe doit être reliée en permanence à un disjoncteur, un minuteur 2 pôles ou un relais 2 pôles. Si le courant CA est fourni par un disjoncteur différentiel de fuite à la terre (GFCI), utilisez un disjoncteur spécifique qui n'a pas d'autres charges électriques.
8. Connectez en permanence la pompe à un circuit. Veillez à ce qu'aucune autre lumière ni aucun appareil ne soient sur le même circuit.

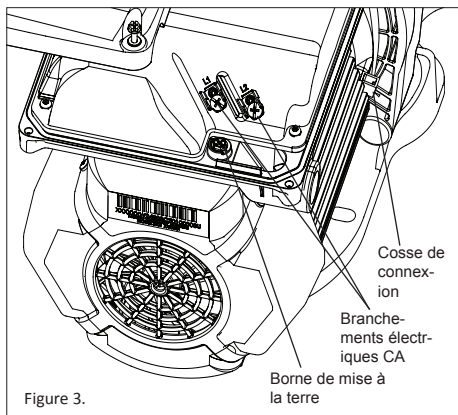


Figure 3.

Le compartiment du câblage d'excitation comporte un port fileté 1/2" NPT pour le raccordement étanche.

La cosse de connexion doit être utilisée pour relier le châssis du moteur au plateau de l'équipement.

Contrôle par commande externe et entrées numériques

L'utilisateur peut faire tourner la pompe à vitesse variable VS2 avec des commandes externes d'automatisation ou Pentair® ControlPro™, ce qui permet de commander à distance les quatre vitesses programmées. La pompe comporte un connecteur étanche qui peut être utilisé avec le câble de données Pentair (option, Réf. 353129Z) pour exécuter les vitesses à l'aide de signaux d'entrée numériques. Lorsqu'il y a un signal externe basse tension sur la ligne d'entrée numérique des vitesses, la pompe tourne à la vitesse programmée pour cette entrée numérique. Le signal +5 V fourni est l'entrée recommandée utilisée pour la commande externe et les entrées numériques des vitesses.

Connexion aux commandes externes

Utilisation du signal basse tension fourni pour la commande numérique

La pompe VS2 fournit un signal de sortie basse tension qui peut être utilisé pour déclencher ses propres entrées numériques. Ce signal devra être commuté via le système de commande externe pour engager la vitesse qui y est connectée comme sur la **Figure 4**. Ce peut être un relais ou un interrupteur d'automatisation d'un autre équipement. Cette fonctionnalité peut être utile pour s'assurer que la pompe exécute un certain programme lorsqu'une vitesse spécifique est nécessaire pour effectuer une tâche.

Le fil inclus dans le câble de données Pentair (option, Réf. 353129Z) devra être coupé à la bonne longueur pour l'installation. Ne laissez pas de longueur excessive de câble autour de l'installation. Le fil doit avoir un support rigide si vous n'utilisez pas de conduite. À une extrémité du câble, il y a un raccordement personnalisé moulé et étanche, qui se branche dans le panneau de connexion du côté du périphérique. L'extrémité opposée comporte 6 fils qui sont définis par le **Tableau 1** ci-dessous. Si vous utilisez le signal +5 V fourni par le périphérique, les vitesses doivent être câblées selon les indications de la **Figure 4**.

Lorsqu'il y a un signal basse tension sur la ligne d'entrée numérique des vitesses, la pompe tourne à la vitesse programmée pour la vitesse qui est déclenchée. Le signal +5 V fourni via le fil (rouge) est l'entrée suggérée pour les entrées numériques des vitesses. Voir **Figure 4**.

Remarque : n'importe quel relais peut être associé à n'importe quelle entrée numérique. La **Figure 4** illustre une des options de câblage possibles à disposition de l'installateur, ce qui vous permet d'installer les commandes externes de la manière la mieux adaptée à vos besoins.

Remarque : ce signal +5 V (fil rouge) est émis par le périphérique uniquement, il ne doit jamais être raccordé à une autre alimentation électrique !

Lorsqu'une entrée numérique de vitesse est déclenchée, la LED placée au-dessus du bouton de **vitesse** commence à clignoter et l'affichage bascule entre le paramètre d'affichage et « EC » pour indiquer qu'une commande externe est exécutée. La pompe exécute cette vitesse tant que le déclencheur d'entrée numérique est présent. Cette action neutralise le programme ou toute entrée utilisateur de sélection des vitesses via le clavier. Le bouton **Display** reste fonctionnel, ainsi que le bouton **Start/Stop**. Une fois que le déclencheur d'entrée numérique est enlevé de tous les fils d'entrée numérique de vitesse, la pompe reprend le programme planifié.

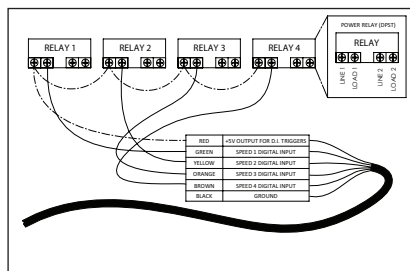


Figure 4 :

Schéma de câblage du kit de commande externe

Définition	Plage du signal	Couleur du fil
Sortie +5 V pour entrées numériques	0 - 20 mA	Rouge
Entrée numérique vitesse 1	0, 5 - 30 V CA/CC	Vert
Entrée numérique vitesse 2	0, 5 - 30 V CA/CC	Jaune
Entrée numérique vitesse 3	0, 5 - 30 V CA/CC	Orange
Entrée numérique Quick Clean	0, 5 - 30 V CA/CC	Marron
Terre commune	0 V	Noir

Tableau 1 :

Schéma de câblage d'entrée du système de commande d'automatisation

Utilisation d'un signal basse tension fourni en externe pour la commande externe

Lors de l'utilisation d'un signal basse tension fourni en externe comme déclencheur d'entrée numérique, le fil doit être connecté selon les illustrations de la Figure 5. L'entrée basse tension doit être dans la plage 5-30 V CA ou CC. Dans ce cas, l'alimentation rouge +5 V provenant de la commande du moteur n'est pas utilisée.

Remarque : ce signal +5 V (fil rouge) est émis par le périphérique uniquement, il ne doit jamais être raccordé à une autre alimentation électrique !

Le signal externe basse tension peut être régulé par des commutateurs ou des relais permettant d'activer l'entrée numérique voulue. Si plusieurs entrées numériques sont actives à un moment donné, elles sont résolues par ordre de priorité.

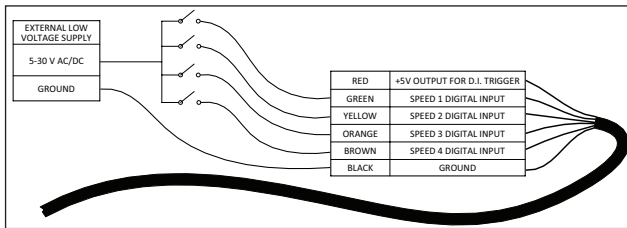


Figure 5 : Schéma de câblage d'alimentation électrique basse tension

Remarque : si la pompe a été arrêtée via le bouton Start/Stop, elle ne fonctionne pas tant qu'elle n'a pas été remise en marche en appuyant sur le bouton Start/Stop. Si la LED Start/Stop est allumée, cela indique que la pompe est sous tension et fonctionnera via les entrées numériques.

Remarque : s'il y a plusieurs déclencheurs basse tension, ils sont résolus selon cet ordre de priorité : Quick Clean, vitesse 3, vitesse 2, puis vitesse 1.

Connexion à Pentair® ControlPro™

Si vous recherchez une installation commandée en externe, Pentair® ControlPro™ peut proposer une solution simple pour la configuration globale de la piscine. La sélection de vitesse est effectuée par ControlPro™, via l'interface. Pour en savoir plus, visitez le site www.pentairpooleurope.com. La connexion doit être réalisée selon les illustrations de la Figure 6. La bonne entrée basse tension provient de ControlPro™, la terre doit donc être raccordée au contacteur. Lorsque vous raccordez la pompe VS2 à ControlPro™, consultez toujours le manuel ControlPro sur le site www.pentairpooleurope.com.

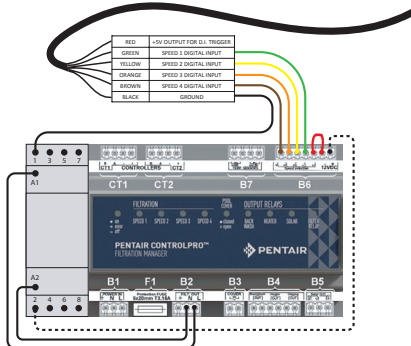


Figure 6 : Schéma de câblage ControlPro

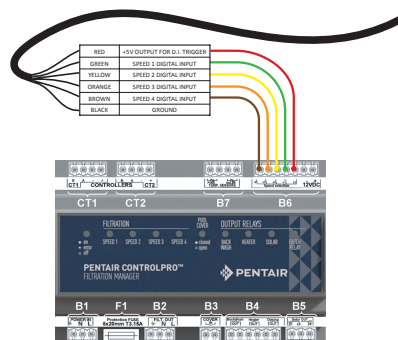


Figure 6 : Schéma de câblage ControlPro+

Mode Commande externe uniquement

Le mode Commande externe uniquement permet à la pompe de fonctionner uniquement à partir de commandes/entrées externes. Lorsque ce mode est actif, le programme défini pour la pompe est désactivé et les demandes de vitesse effectuées sur le clavier par l'utilisateur ne sont pas acceptées. Si la pompe est arrêtée, un utilisateur peut toujours programmer les vitesses pour les quatre boutons de vitesse.

Pour activer le mode Commande externe uniquement :

1. Arrêtez la pompe en appuyant sur le bouton **Start/Stop**.
2. Activez le mode Commande externe uniquement en appuyant sur le bouton **Start/Stop** et en le maintenant enfoncé pendant 3 secondes.
3. Si la commande fonctionne, la LED située près de Ext. Control Only s'allume. Voir **Figure 7**.
4. Il faut appuyer à nouveau sur le bouton **Start/Stop** pour que la pompe puisse fonctionner.



Figure 7 : Activation du mode
Commande externe uniquement

Pour désactiver le mode Commande externe uniquement :

1. Arrêtez la pompe en appuyant sur le bouton **Start/Stop**.
2. Désactivez le mode Commande externe uniquement en appuyant sur le bouton **Start/Stop** et en le maintenant enfoncé pendant 3 secondes.
3. Si la commande fonctionne, la LED située près de Ext. Control Only s'éteint. Voir **Figure 7**.
4. Il faut appuyer à nouveau sur le bouton **Start/Stop** pour que la pompe puisse fonctionner.

FONCTIONNEMENT DE LA POMPE

Réglage de l'horloge

Lorsque la pompe est branchée pour la première fois, l'horloge clignote pour indiquer qu'elle n'est pas réglée. Tous les programmes quotidiens définis par l'utilisateur sont basés sur cette horloge, il faut donc la régler d'abord.

Pour régler l'horloge :

1. Appuyez sur le bouton **Display** et maintenez-le enfoncé pendant 3 secondes.
2. Utilisez les flèches « + » et « - » pour choisir le format d'affichage 12 ou 24 heures.
3. Appuyez sur **Display** pour continuer dans le menu de réglage de l'horloge
4. Utilisez les flèches « + » et « - » pour ajuster l'heure du jour. En format d'affichage 12 heures, AM/PM s'affiche dans le coin inférieur droit.
5. Appuyez sur **Display** pour continuer.
6. Utilisez les flèches « + » et « - » pour régler la luminosité du rétro-éclairage de l'écran.
7. Appuyez sur **Display** pour sortir du menu de réglage de l'horloge. L'horloge est maintenant réglée.

En cas de coupure de courant, le périphérique conserve le réglage de l'horloge en mémoire pendant 24 heures. Si le courant est coupé plus de 24 heures, l'horloge doit être réglée à nouveau. Si le périphérique a perdu l'heure réglée par l'utilisateur, l'horloge clignote en permanence jusqu'au réglage de l'heure.

Une fois que l'heure est réglée, l'horloge cesse de clignoter.

Remarque : quand la pompe est remise sous tension après une coupure prolongée (plus de 24 heures), l'horloge va automatiquement se régler d'elle-même sur l'heure de début de la vitesse 1, clignoter et avancer. La pompe va également exécuter le programme associé à partir de cette heure de début.

Utilisation du programme par défaut

Le programme par défaut est conçu pour fournir suffisamment de débit journalier pour entretenir une piscine classique. Voir le **Tableau 2** au sujet du programme par défaut.

	Durée (Heures)	Vitesse (tr/min)
VITESSE 1	2	3000
VITESSE 2	10	1400
VITESSE 3	2	2200

Tableau 2 : Programme par défaut.

Le programme VITESSE 1 est réglé pour commencer à 8 h 00 et fonctionner à 3000 tr/min pendant une durée de 2 heures. Lorsque le programme VITESSE 1 est terminé, la pompe commence immédiatement à exécuter le programme par défaut VITESSE 2. Le programme VITESSE 2 est réglé par défaut en usine sur 1400 tr/min et dure 10 heures. Lorsque le programme VITESSE 2 a terminé son

cycle, la pompe exécute VITESSE 3 à 2200 tr/min pendant une durée de deux heures.

Après 14 heures de fonctionnement, à la fin du cycle de VITESSE 3, la pompe se met en pause pendant les 10 heures suivantes. La pompe redémarre à 8 h 00 le matin suivant et exécute à nouveau le programme par défaut. La pompe fonctionne de cette manière tant qu'un programme personnalisé n'est pas défini dans le périphérique par l'utilisateur.

Remarque : il faut appuyer sur le bouton **Start/Stop** et que la LED soit allumée pour que la pompe fonctionne.



Figure 9 : Réglage de l'heure de début

Programmes personnalisés

Pour personnaliser le programme de fonctionnement de votre pompe à vitesse variable VS2, elle doit être arrêtée. Vérifiez que la LED du bouton **Start/Stop** n'est pas allumée.

Programmation d'un programme personnalisé :

Remarque : Pendant la programmation, la LED située près du paramètre que vous réglez (« Speed », « Time » et « Duration ») clignote.

1. Si elle fonctionne, arrêtez la pompe en appuyant sur le bouton **Start/Stop**.
2. Appuyez sur le bouton « 1 ». La LED placée au-dessus de la VITESSE sélectionnée commence à clignoter et la LED du paramètre « Speed » clignote pendant la modification. Voir **Figure 8**.



Figure 8 : Réglage de la vitesse

3. Utilisez les flèches « + » et « - » pour régler la vitesse en tr/min de VITESSE 1.

Remarque : la vitesse est augmentée ou diminuée par incréments de 10 tr/min.

4. Appuyez à nouveau sur le bouton « 1 » et l'affichage passe à l'heure de début de VITESSE 1. La LED du paramètre « Time » commence à clignoter. Voir **Figure 9**.
5. Utilisez les flèches « + » et « - » pour régler l'heure de début quotidienne de VITESSE 1.
6. Appuyez à nouveau sur le bouton « 1 » et l'affichage passe à la durée de VITESSE 1. La LED du paramètre « Duration » commence à clignoter. Voir **Figure 10**.
7. Utilisez les flèches « + » et « - » pour régler la durée de VITESSE 1 en heures et minutes.



Figure 10 : Réglage de la durée

Remarque : le paramètre de durée est réglé par incréments de 15 minutes.

8. En appuyant sur le bouton « 1 », vous continuez à naviguer dans ces paramètres, mais les modifications sont immédiatement enregistrées dès qu'elles sont réglées.
9. Appuyez sur le bouton « 2 ». La LED placée au-dessus de VITESSE 2 commence à clignoter et la LED du paramètre correspondant clignote pendant la modification.
10. Utilisez les flèches « + » et « - » pour régler la vitesse en tr/min de VITESSE 2.
11. Appuyez à nouveau sur le bouton « 2 » et l'affichage passe à la durée de VITESSE 2.

Remarque : Les programmes VITESSE 2 et 3 n'ont pas d'heure de début, parce qu'ils commencent immédiatement dès que le programme VITESSE précédent se termine.

12. Utilisez les flèches « + » et « - » pour régler la durée de VITESSE 2 en heures et minutes.
13. Répétez les étapes de 9 à 12 pour programmer VITESSE 3 et QUICK CLEAN.

Remarque : souvenez-vous que la durée possible pour VITESSE 3 est limitée au temps restant sur une journée de 24 heures. Pour toute heure d'une journée de 24 heures non programmée pour les programmes VITESSE 1-3, la pompe reste en état stationnaire.

[VITESSE 1 + VITESSE 2 + VITESSE 3 ≤ 24 heures]

14. Appuyez sur le bouton **Start/Stop** et vérifiez que la LED est allumée. La pompe est désormais sous tension et va exécuter le programme personnalisé défini par l'utilisateur.

Remarque : si la pompe a été arrêtée via le bouton **Start/Stop**, elle ne fonctionne pas tant qu'elle n'a pas été remise sous tension en appuyant sur le bouton **Start/Stop**. Si la LED **Start/Stop** est allumée, la pompe est sous tension et exécutera le programme défini.

Remarque : Si un utilisateur veut que la pompe ne fonctionne pas pendant une période de la journée, un des programmes VITESSE peut être réglé sur 0 tr/min. Cela aura pour effet de maintenir la pompe en pause pendant la durée de ce programme VITESSE.

Priorités des vitesses (commande non externe)

Pour les paramètres de durée, les programmes VITESSE ont la priorité suivante : VITESSE 1 -> VITESSE 2 -> VITESSE 3. VITESSE 1 est la priorité la plus élevée alors que VITESSE 3 est la plus basse.

Le périphérique ne permet pas à un utilisateur de définir un programme qui dure plus de 24 heures. Lorsque la 24e heure de durée est programmée, il prélève du temps sur les vitesses à basse priorité afin de les ajouter au programme VITESSE en cours de réglage.

Exemple :

Programme de départ (avant réglage)

Durée de VITESSE 1 = 20 heures

Durée de VITESSE 2 = 2 heures

Durée de VITESSE 3 = 2 heures

Si l'utilisateur reprogramme VITESSE 1 pour une exécution pendant 23 heures, VITESSE 2 (vitesse à priorité inférieure) sera automatiquement réglé sur une durée d'1 heure et VITESSE 3 (vitesse à priorité la plus faible) sera réglé sur une durée de 0 heure.

Programme final (après réglage)

Durée de VITESSE 1 = 23 heures

Durée de VITESSE 2 = 1 heure

Durée de VITESSE 3 = 0 heure

Un appui sur n'importe quel bouton de vitesse (**1, 2, 3, Quick Clean**) pendant que la pompe fonctionne sert de forçage temporaire. La vitesse et la durée programmées pour ce bouton sont exécutées. Une fois terminé, le programme défini reprend par défaut au point approprié.

Remarque : si vous réglez les vitesses du programme pendant que la pompe fonctionne, la vitesse réglée est appliquée pendant le reste de la durée en cours, mais les réglages ne sont pas enregistrés. **Exception : les réglages de vitesse et de durée de QUICK CLEAN sont toujours enregistrés immédiatement.**

Quick Clean

Si Quick Clean est en cours d'exécution, une pression sur les flèches « + » ou « - » change la vitesse en conséquence. En appuyant à nouveau sur le bouton **Quick Clean** dans les 10 secondes suivant la pression sur les flèches « + » ou « - », vous pourrez régler la durée de Quick Clean avec les flèches « + » et « - ». Ces modifications sont enregistrées immédiatement et deviennent les nouvelles valeurs par défaut de Quick Clean. Une nouvelle pression sur le bouton **Quick Clean** permet de parcourir les deux paramètres de Quick Clean. La pompe quitte le mode modification si vous n'appuyez sur aucun autre bouton dans les 10 secondes.

Si Quick Clean est en cours d'exécution et que vous désirez l'arrêter avant que la durée soit terminée, vous pouvez appuyer sur le bouton **Quick Clean** et le maintenir enfoncé pendant 3 secondes : la pompe reviendra au point approprié du programme défini.

CAUTION

Dans de rares conditions, certaines vitesses du moteur peuvent causer des bruits de résonance dans la pompe, ceci peut être résolu simplement en modifiant légèrement la vitesse.

Utilisation de la pompe pendant qu'elle fonctionne

CAUTION

Si le moteur de la pompe est sous tension, le moteur peut être démarré en appuyant sur n'importe lequel des boutons auxquels il est fait référence dans cette section. Tout non-respect de cette instruction peut entraîner une blessure corporelle ou endommager l'équipement.

Des pressions sur le bouton **Display** permettent de parcourir les différents paramètres en cours.

- **Speed** — Vitesse d'exécution actuelle
- **Time** — Heure de la journée actuelle
- **Duration** — Temps restant à la vitesse actuelle
- **Watts** — Nombre de watts actuellement consommés

Amorçage

⚠ CAUTION

Cette pompe est expédiée avec le mode d'amorçage ACTIVÉ. À moins que les paramètres d'amorçage ne soient changés dans le menu, **sachez que la pompe va accélérer jusqu'à la vitesse d'amorçage quand elle sera mise sous tension pour la première fois et que vous appuierez sur le bouton Start/Stop.**

Avant de mettre la pompe EN MARCHÉ, vérifiez que les conditions suivantes sont remplies :

1. Ouvrez le purgeur d'air du filtre.
2. Ouvrez les vannes.
3. Le retour de la piscine est entièrement ouvert et n'est pas obstrué.
4. Il y a de l'eau dans le panier de la pompe.
5. Tenez-vous à distance du filtre ou des autres réservoirs sous pression.

⚠ CAUTION

NE FAITES PAS fonctionner la pompe à sec. Si la pompe fonctionne à sec, la garniture mécanique risque d'être endommagée et la pompe commencera à fuir. Si cela se produit, le joint endommagé doit être remplacé. Maintenez TOUJOURS un niveau d'eau approprié dans votre piscine (skimmer semi-ouvert) Si le niveau d'eau chute sous l'ouverture du skimmer, la pompe aspirera de l'air, perdra son amorce, fonctionnera à sec et endommagera le joint. Un fonctionnement continu avec un niveau d'eau inadéquat pourrait provoquer une perte de pression susceptible d'entraîner des dégâts au carter de pompe, à la turbine et au joint et risquerait de provoquer des dommages matériels et corporels.

L'amorçage va automatiquement s'exécuter lorsque la pompe à vitesse variable VS2 est démarrée en étant à l'arrêt, sauf en cas d'exécution du mode Quick Clean. L'amorçage s'effectue par défaut à 2850 tr/min et dure 5 minutes. L'écran du périphérique affiche alternativement les éléments suivants : « Prl - Priming Speed, Prl -- Remaining Time ».

Une fois que l'amorçage a commencé, la vitesse peut être réglée entre 3450 et 1700 tr/min avec les flèches « + » et « - ». S'il est réglé à moins de 1700 tr/min, le mode d'amorçage est désactivé et la pompe commence immédiatement à exécuter la vitesse programmée.

Lorsque l'amorçage est désactivé et la pompe est démarrée en étant à l'arrêt, l'écran affiche « Prl - OFF » pendant 10 secondes tout en exécutant la vitesse programmée (Voir Figure 11). Cela donne à l'utilisateur le temps d'activer le mode d'amorçage en appuyant sur la flèche « + ». Si l'utilisateur choisit de réactiver le mode d'amorçage, la pompe passe alors de la vitesse programmée à 1700 tr/min. L'utilisateur peut augmenter la vitesse d'amorçage à partir de 1700 tr/min en appuyant sur la flèche « + ». Le minuteur du compte à rebours de 5 minutes de l'amorçage démarre lorsque l'amorçage est lancé pour la première fois.

L'installateur doit définir une vitesse d'amorçage suffisante pour amorcer la pompe dans une nouvelle installation, mais pas trop rapide pour éviter un gaspillage important d'énergie pendant le créneau d'amorçage de 5 minutes. La durée pendant laquelle la pompe doit s'amorcer peut changer selon les conditions environnementales locales, par exemple température de l'eau, pression atmosphérique et niveau d'eau de la piscine. L'ensemble de ces facteurs doit être pris en compte lors du réglage de la vitesse d'amorçage, mais dans la plupart des cas, la pompe n'a pas besoin de tourner à 2850 tr/min pour s'amorcer correctement d'elle-même.

Veillez tester et vérifier les vitesses d'amorçage plusieurs fois en laissant l'eau s'évacuer du système entre chaque test.

Remarque : le panier du pré-filtre de la pompe doit toujours rester rempli jusqu'au bas de l'orifice d'admission afin d'empêcher l'air d'entrer dans le système.

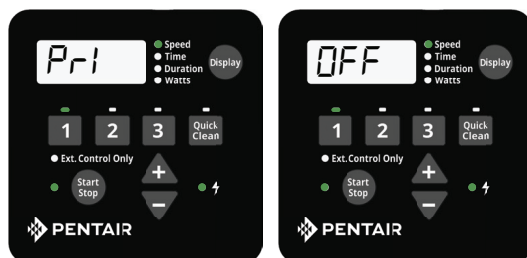


Figure 11 : Désactivation de l'amorçage

Quick Clean

La pompe à vitesse variable est équipée d'une fonction Quick Clean qui peut être activée pour faire tourner temporairement la pompe à des vitesses supérieures ou inférieures allant de 300 à 3450 tr/min. Une fois la durée de Quick Clean écoulée, la pompe revient automatiquement au programme paramétré.

Programmation de Quick Clean :

1. Si elle fonctionne, arrêtez la pompe en appuyant sur le bouton **Start/Stop**.
2. Appuyez sur le bouton **Quick Clean** . La LED placée au-dessus de **Quick Clean** et la LED du paramètre « Speed » clignotent pendant la modification. Voir **Figure 12**.



Figure 12 : Réglage de la vitesse de Quick Clean

3. Utilisez les flèches « + » et « - » pour régler la vitesse en tr/min de Quick Clean.
4. Appuyez à nouveau sur le bouton « **Quick Clean** » et l'affichage passe à la durée de Quick Clean. La LED du paramètre « Duration » clignote pendant la modification. Voir **Figure 13**.

Remarque : la fonction Quick Clean ne comporte pas d'heure de début.



Figure 13 : Réglage de la durée de Quick Clean

5. Utilisez les flèches « + » et « - » pour régler la durée en heures et minutes de Quick Clean.
6. Appuyez sur le bouton **Start/Stop** et vérifiez que la LED est allumée. La pompe est maintenant sous tension et va appliquer la vitesse et la durée définies pour Quick Clean.

Remarque : à la fin de la durée du Quick Clean, la pompe reprend le programme de 24 heures au point où il devait normalement se dérouler à cette heure-là. La durée du Quick Clean n'affecte pas les heures de début ou de fin du programme de 24 heures. Par exemple, si Quick Clean s'exécute durant une période chevauchant la fin de VITESSE 1 et le début de VITESSE 2, l'heure de début de VITESSE 3 n'est pas affectée.

Remarque : pour annuler le mode Quick Clean, appuyez sur la touche Quick Clean et maintenez-la enfoncée pendant plus de trois (3) secondes.

Remarque : durant le mode Quick Clean, la pompe ne démarre pas avec la séquence d'amorçage.

Remarque : il est conseillé de ne pas régler la durée de Quick Clean sur 0 HRS. Si vous réglez la durée de Quick Clean sur 0 HRS, vous ne pouvez pas modifier le paramètre de durée quand le moteur fonctionne. Si la durée est réglée sur 0 HRS, le moteur doit être arrêté pour pouvoir modifier les paramètres de Quick Clean.

Verrouillage du clavier

CAUTION

Le verrouillage du clavier n'empêche pas l'arrêt du moteur en appuyant sur le bouton Start/Stop. Ensuite, il ne peut pas être redémarré tant que le clavier n'a pas été déverrouillé. Si le moteur fonctionne en mode verrouillage du clavier et est actionné par des commandes externes, il peut fonctionner uniquement lorsque la LED Start/Stop est allumée.

L'interface utilisateur de la pompe à vitesse variable VS2 possède une fonction de verrouillage du clavier afin d'empêcher toute modification indésirable des paramètres. Lorsqu'il est verrouillé, le clavier accepte uniquement l'appui sur le bouton **Display** pour parcourir les informations affichées à l'écran et l'appui sur le bouton **Start/Stop** pour arrêter le moteur.

Le clavier peut être verrouillé en appuyant simultanément sur le bouton « 1 » et le bouton **Quick Clean** et en les maintenant enfoncés pendant au moins trois secondes. « Loc On » s'affiche si la commande est acceptée.

Le clavier peut être déverrouillé en appuyant simultanément sur le bouton « 1 » et le bouton **Quick Clean** et en les maintenant enfoncés pendant au moins trois secondes. « Loc Off » s'affiche si la commande est acceptée.

Remarque : pendant le fonctionnement en mode verrouillage du clavier, le moteur peut toujours être arrêté en appuyant sur le bouton **Start/Stop**. Cependant, le moteur ne peut pas être redémarré tant que l'utilisateur n'a pas déverrouillé le clavier.

Réinitialisation aux paramètres d'usine

Si nécessaire, le périphérique peut être réinitialisé aux paramètres d'usine. La réinitialisation efface l'ensemble des paramètres utilisateur enregistrés ayant été programmés, sauf l'heure du jour. Avant d'effectuer une réinitialisation, assurez-vous qu'elle est nécessaire, parce que ses effets sont immédiats.

Pour effectuer une réinitialisation :

1. Si nécessaire, arrêtez la pompe en appuyant sur le bouton **Start/Stop**.
2. Relevez l'ensemble des paramètres du programme personnalisé à l'aide du **Tableau 3**. Vous trouverez ces paramètres en appuyant sur les boutons « 1 », « 2 », « 3 » et « **Quick Clean** », puis en faisant défiler tous les écrans. Notez également la vitesse d'amorçage.
3. Appuyez sur les boutons « 1 », « 2 », « 3 » et « **Quick Clean** », puis maintenez-les enfoncés pendant 3 secondes.
4. L'écran affiche « **FACT rSt** » si la réinitialisation est réussie. Voir **Figure 14**.
5. Redéfinissez le programme et la vitesse d'amorçage après la réinitialisation. La pompe doit être remise sous tension avec le bouton **Start/Stop** pour pouvoir fonctionner à nouveau. La pompe va exécuter le programme défini à partir de l'heure de début initiale.

Remarque : la réinitialisation ne peut pas être effectuée si le clavier est verrouillé.



Figure 14 : Réinitialisation du périphérique

	Vitesse (tr/min)	Durée (Heures)	Heure de début (Horloge)
VITESSE 1			
VITESSE 2			
VITESSE 3			
QUICK CLEAN			
Vitesse d'amorçage			

Tableau 3 : Programmes définis par l'utilisateur



N'OUVREZ PAS le panier de pré-filtre si la pompe à vitesse variable VS2 ne s'amorce pas ou si elle a fonctionné sans eau dans le panier de pré-filtre. Les pompes actionnées dans ces circonstances peuvent connaître une accumulation de pression de vapeur et contenir de l'eau chaude. L'ouverture de la pompe peut provoquer de graves blessures. Afin d'éviter le risque de blessures, assurez-vous que les vannes d'aspiration et de décharge sont ouvertes et que la température du panier de pré-filtre est froide au toucher, puis ouvrez la pompe avec une extrême précaution.



Pour éviter des dégâts à la pompe et au filtre et pour un fonctionnement correct du système, nettoyez régulièrement le panier de pré-filtre et les paniers du skimmer.

Panier de pré-filtre de la pompe

Le panier de pré-filtre de la pompe (ou « passoire », « récipient à cheveux et peluches ») se trouve devant la volute. La chambre contient le panier qui doit rester propre et exempt de feuilles et de débris à tout moment. Pour vérifier s'il y a des feuilles et des débris, observez le panier par le « couvercle transparent ».

Quel que soit l'intervalle entre les nettoyages de filtre, il est très important d'inspecter visuellement le panier au moins une fois par semaine.

Nettoyage du panier de pré-filtre de la pompe

1. Appuyez sur le bouton **Start/Stop** pour arrêter la pompe et éteignez la pompe avec le disjoncteur.
2. Purgez la pression dans le système en refroidissant l'eau.
3. Tapotez doucement le collier dans un sens antihoraire pour déposer le collier et le couvercle.
4. Éliminez les débris et rincez le panier. Remplacez le panier s'il est fissuré.
5. Remplacez le panier dans le boîtier. Veillez à aligner l'encoche dans le fond du panier sur la nervure dans le fond de la volute.
6. Remplissez le panier de pré-filtre de la pompe et la volute avec de l'eau jusqu'à l'orifice d'entrée.
7. Nettoyez le couvercle, le joint torique et la surface d'étanchéité du panier de la pompe. **Remarque** : il est important de garder le joint torique du couvercle propre et bien lubrifié.
8. Remettez en place le couvercle en mettant le couvercle sur le panier. Assurez-vous que le joint torique du couvercle est bien en place. Placez le collier et le couvercle sur la pompe, puis tournez dans le sens horaire jusqu'à ce que les poignées soient horizontales.
9. Mettez sous tension au disjoncteur du boîtier. Le cas échéant, réinitialisez l'horloge de la piscine à l'heure correcte.
10. Ouvrez la purge d'air manuelle au-dessus du filtre.
11. Tenez-vous éloigné du filtre. Démarrez la pompe.
12. Purgez l'air du filtre jusqu'à ce qu'un jet d'eau constant sorte. Fermez la vanne de décharge d'air manuelle.

Hivernage

Il vous incombe de déterminer le moment où des conditions de gel peuvent survenir. Si des conditions de gel sont attendues, prenez les mesures suivantes pour réduire les risques de dégâts dus au gel. **Les dégâts dus au gel ne sont pas couverts par la garantie.**

Pour éviter des dégâts par le gel, suivez les procédures reprises ci-dessous :

1. Appuyez sur le bouton **Start/Stop** pour arrêter la pompe et coupez le courant de la pompe avec le disjoncteur.
2. Purgez l'eau du boîtier de la pompe en déposant les deux bouchons de purge s'ouvrant avec le pouce du boîtier. Rangez les bouchons dans le panier de pompe.
3. Recouvrez le moteur pour le protéger de la pluie, de la neige ou du gel.

Note : ne couvrez pas le moteur de plastique ou d'un autre matériau étanche à l'air pendant l'hivernisation. Le moteur peut être coulé pendant un orage, pour l'hiver, etc., mais jamais quand il fonctionne ou quand il est prévu de le faire fonctionner.

Remarque : dans les zones tempérées, en cas de gel temporaire, faites tourner la filtration toute la nuit pour éviter le gel.



CE SYSTÈME FONCTIONNE SOUS HAUTE PRESSION. Lorsqu'une partie du système de circulation (p. ex., bague de retenue, pompe, filtre, vannes, etc.) est en cours d'entretien, l'air peut pénétrer dans le système, qui se dépressurise. De l'air sous pression peut entraîner une séparation du couvercle, ce qui peut engendrer des blessures graves, la mort ou des dommages matériels. Pour éviter ce risque potentiel, suivez les instructions ci-dessus.



ENTRETIEN COURANT



WARNING Débranchez toujours le courant de la pompe à vitesse variable VS2 au niveau du disjoncteur et déconnectez le câble de communication avant d'intervenir sur la pompe. Tout manquement à cette obligation est susceptible d'entraîner la mort ou d'occasionner des dommages corporels graves aux techniciens de service, aux utilisateurs de la piscine ou à d'autres personnes en raison du risque d'électrocution. Lisez toutes les instructions d'entretien avant d'intervenir sur la pompe.



WARNING **NE PAS** ouvrir le panier de pré-filtre si la pompe ne s'amorce pas ou si elle a fonctionné sans eau dans le panier de pré-filtre. Les pompes actionnées dans ces circonstances peuvent connaître une accumulation de pression de vapeur et contenir de l'eau chaude. L'ouverture de la pompe peut provoquer de graves blessures. Afin d'éviter le risque de blessures, assurez-vous que les vannes d'aspiration et de décharge sont ouvertes et que la température du panier de pré-filtre est froide au toucher, puis ouvrez la pompe avec une extrême précaution.



CAUTION Veillez à ne pas griffer ou marquer les surfaces d'étanchéité polies de l'arbre ; le joint fuira si les surfaces sont endommagées. Les surfaces polies du joint risquent de s'abîmer si elles ne sont pas manipulées avec soin.

Entretien du moteur électrique

Protection contre la chaleur

1. Mettez le moteur à l'abri du soleil.
2. Tout local clos doit être bien ventilé pour éviter une surchauffe.
3. Prévoyez une ventilation transversale suffisante.

Protection contre la saleté

1. Protégez de toute matière étrangère.
2. Ne stockez (ou déversez) pas de produits chimiques sur le moteur ou près de celui-ci.
3. Évitez de balayer ou de remuer la poussière près du moteur quand il fonctionne.
4. Si un moteur a été endommagé par la saleté, la garantie sera annulée.
5. Nettoyez le couvercle et le collier, le joint torique et la surface d'étanchéité du panier de la pompe.

Protection contre l'humidité

1. Protégez des projections d'eau.
2. Protégez des intempéries, telles que des inondations.
3. Si l'intérieur d'un moteur est mouillé, laissez-le sécher avant de l'utiliser. Ne pas laisser la pompe fonctionner si elle a été inondée.
4. Si un moteur a été endommagé par l'eau, la garantie peut être annulée.

Remplacement des joints d'arbre

Le joint d'arbre comprend essentiellement deux parties : un organe rotatif et un joint en céramique.

La pompe exige peu ou pas d'entretien autre qu'un soin raisonnable ; toutefois, un joint d'arbre peut occasionnellement s'abîmer et doit être remplacé.

Remarque : les faces polies du joint risquent de s'abîmer si elles ne sont pas manipulées avec soin.

Démontage de la pompe

Toutes les pièces en mouvement se situent à l'arrière de cette pompe.

Outils nécessaires :

- Clé plate ou à douille 1/4".
- Clé plate ou à douille 3/8".
- Clé plate ou à douille 9/16".
- Clé Allen 1/4".
- Tournevis plat.

Pour déposer et réparer le sous-ensemble du moteur, suivez les étapes ci-dessous :

1. Appuyez sur le bouton **Start/Stop** pour arrêter la pompe et coupez le disjoncteur de la pompe au niveau du tableau principal.
2. Purgez la pompe en retirant les bouchons de purge.
3. Retirez les 4 boulons qui maintiennent le corps de pompe (panier de pré-filtre/volute) au sous-ensemble arrière.
4. Détachez DÉLICATEMENT les deux moitiés de pompe en enlevant le sous-ensemble arrière.
5. Retirez les trois vis à tête hexagonale maintenant le diffuseur en position.
6. Tenez la turbine en place et retirez la vis de blocage de turbine à l'aide d'un tournevis plat ou d'une clé. La vis présente un filetage à gauche et se desserre dans le sens horaire.
7. Pour dévisser la turbine de l'arbre, introduisez une clé Allen de 1/4" dans le centre du cache du ventilateur du moteur et tournez la turbine dans le sens antihoraire.
8. Enlevez les quatre boulons assujettissant la plaque de joint au moteur à l'aide d'une clé de 9/16".
9. Placez la plaque de joint face vers le bas sur une surface plane et extrayez le joint céramique.
10. Nettoyez la plaque de joint, le logement de joint et l'arbre du moteur.



CAUTION **NE FAITES PAS fonctionner la pompe à sec.** Si la pompe fonctionne à sec, le joint mécanique risque de s'abîmer et la pompe commencera à couler. Si cela se produit, le joint endommagé doit être remplacé. Gardez TOUJOURS le niveau d'eau adéquat. Si le niveau d'eau chute sous l'orifice d'aspiration, la pompe aspirera de l'air par l'orifice d'aspiration, perdra son amorce, fonctionnera à sec et endommagera le joint. Un fonctionnement continu avec un niveau d'eau inadéquat pourrait provoquer une perte de pression susceptible d'entraîner des dégâts au carter de pompe, à la turbine et au joint et risquerait de provoquer des dommages matériels et corporels.

Remontage de la pompe

1. Lors de la pose du joint de remplacement dans la plaque de joint, utilisez une eau savonneuse pour humidifier la gaine en caoutchouc avant de la comprimer dans la plaque de joint.
2. Remonter la plaque d'étanchéité sur le moteur.
3. Avant d'installer la partie rotative du joint sur l'arbre du moteur, humidifiez l'arbre du moteur avec de l'eau savonneuse et faites glisser le joint sur l'arbre du moteur. Assurez-vous que la face en carbone touche la face céramique du logement fixe. Comprimez le joint dans la plaque de joint avec les pouces et essuyez la céramique avec un tissu propre.
4. Vissez la turbine sur l'arbre du moteur (dans le sens horaire pour serrer).
5. Vissez la vis de blocage de la turbine (dans le sens antihoraire pour serrer).

Remarque : insérez une clé Allen hexagonale 1/4" dans l'arbre du moteur à travers l'orifice du cache du ventilateur à l'arrière du moteur. Cela empêche l'arbre du moteur de tourner et permet de visser la vis de blocage de la turbine.

6. Remontez le diffuseur sur la plaque de joint. Assurez-vous que les axes en plastique et les inserts de vis de maintien sont alignés.
7. Graissez l'anneau quadruple du diffuseur et le joint torique de la plaque de joint avant le remontage.
8. Assemblez le sous-ensemble du moteur au corps de la pompe-panier de pré-filtre. Serrez les 4 boulons à la main jusqu'à ce qu'ils soient en place.
9. Remplissez la pompe d'eau.
10. Réinstallez le couvercle de la pompe et le collier en plastique ; voir la section suivante « Instructions de redémarrage ».
11. Réarmez le système.

Instructions de redémarrage

Si la pompe à vitesse variable VS2 est installée sous le niveau d'eau de la piscine, fermez les conduites de retour et d'aspiration avant d'ouvrir le panier de pré-filtre de la pompe. Veillez à rouvrir les vannes avant utilisation.

Amorcez la pompe

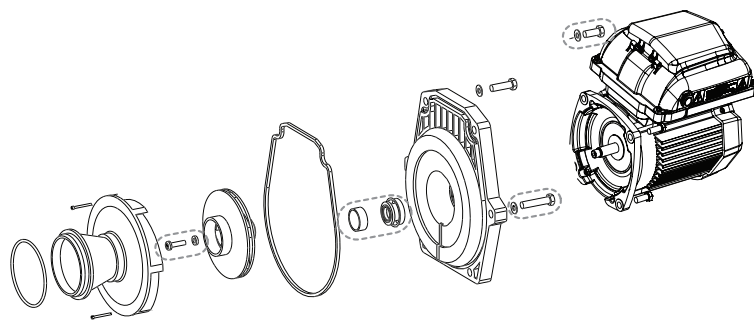
Le panier de pré-filtre de la pompe doit être rempli d'eau avant de mettre la pompe en marche.

Veillez suivre ces étapes pour amorcer la pompe :

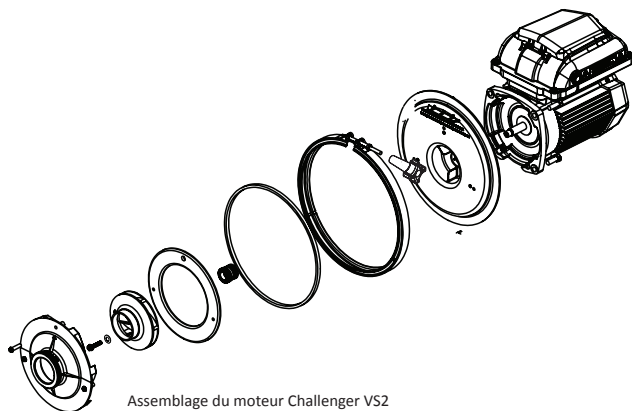
1. Déposez le collier en plastique du couvercle de la pompe. Déposez le couvercle de la pompe.
2. Remplissez le panier de pré-filtre de la pompe d'eau.
3. Remontez le couvercle de la pompe et le collier en plastique sur le panier de pré-filtre. La pompe est à présent prête à l'emploi.
4. Ouvrez la vanne de purge d'air sur le filtre et éloignez-vous du filtre.
5. Mettez la pompe sous tension.
6. Appuyez sur le bouton **Start/Stop** du clavier du périphérique. Si la pompe est actuellement programmée pour fonctionner, elle démarrera.

Remarque : si la pompe n'est pas programmée pour fonctionner, appuyez sur un bouton **Speed** pour lancer une annulation manuelle qui va démarrer la pompe.

7. Lorsque l'eau sort de la vanne de purge d'air, fermez la vanne. Le système devrait maintenant être purgé et l'eau circuler à nouveau de et vers la piscine.



Assemblage du moteur Whisperflo VS2



Assemblage du moteur Challenger VS2

DÉPANNAGE



WARNING Le diagnostic de certains symptômes peut imposer une interaction étroite avec des composants sous tension ou à proximité immédiate de ceux-ci. Un contact avec l'électricité peut provoquer la mort, des dommages corporels ou matériels. Lors d'un dépannage de la pompe, le diagnostic portant sur la partie électrique doit être réalisé par un professionnel qualifié.

Problème	Cause probable	Solution
Défaillance de la pompe	<p>La pompe ne s'amorce pas- Fuite d'air, trop d'air.</p> <p>La pompe ne s'amorce pas- Pas assez d'eau.</p> <p>Le joint du panier de pré-filtre est bouché.</p> <p>Le joint de panier de pré-filtre est défectueux.</p>	<p>Vérifiez les tuyaux et les vannes d'aspiration. Fixez le couvercle sur le panier de pré-filtre de la pompe et vérifiez que le joint de couvercle est en place. Vérifiez le niveau d'eau pour vous assurer que le skimmer n'aspire pas d'air.</p> <p>Assurez-vous que les conduites d'aspiration, la pompe, le pré-filtre et la volute de la pompe sont remplis d'eau. Assurez-vous que la vanne sur la ligne d'aspiration fonctionne et est ouverte (certains systèmes n'ont pas de vannes). Vérifiez le niveau d'eau pour que de l'eau soit présente dans le skimmer.</p> <p>Nettoyez le panier de pré-filtre de pompe.</p> <p>Remplacez le joint.</p>
Capacité et / ou débit réduits.	<p>Poches d'air ou fuite dans la conduite d'aspiration.</p> <p>Turbine obstruée.</p> <p>Panier de pré-filtre obstrué.</p>	<p>Vérifiez les tuyaux et les vannes d'aspiration. Fixez le couvercle sur le panier de pré-filtre de la pompe et vérifiez que le joint de couvercle est en place. Vérifiez le niveau d'eau pour vous assurer que le skimmer n'aspire pas d'air.</p> <p>Coupez le courant vers la pompe.</p> <p>Démontage (voir la page 14, « Démontage de la pompe »)</p> <p>Retirez les saletés de la turbine. Si les saletés ne s'enlèvent pas toutes, suivez la procédure ci-dessous :</p> <ol style="list-style-type: none"> 1. Enlevez le boulon d'anti-rotation avec filetage à gauche et le joint torique. 2. Démontez, nettoyez et remontez la turbine. <p>Remontage (voir la page 15, « Remontage de la pompe »)</p> <p>Nettoyez le siphon d'aspiration.</p>

Dépannage (suite)

La pompe ne démarre pas.	<p>Pas de tension secteur présente.</p> <p>Arbre de la pompe bloqué.</p> <p>Arbre de la pompe endommagé.</p>	<p>1. Remplacez le fusible, réinitialisez le disjoncteur/GFCI.</p> <p>2. Serrez les connexions du câble secteur.</p> <p>Vérifiez si la pompe peut être tournée à la main et éliminez les colmatages éventuels.</p> <p>Remplacez la pompe.</p>
La pompe fonctionne, puis s'arrête.	<p>DÉFAUT de température excessive</p> <p>DÉFAUT de surintensité de courant</p>	<p>Vérifiez que l'arrière de la pompe est exempt de saletés et de débris. Utilisez de l'air comprimé pour le nettoyage.</p> <p>La pompe redémarre automatiquement après une (1) minute.</p>
La pompe est bruyante.	<p>Débris en contact avec le ventilateur</p> <p>Débris dans le panier de pré-filtre</p> <p>Fixation desserrée</p>	<p>Vérifiez que l'arrière de la pompe est exempt de saletés et de débris. Utilisez de l'air comprimé pour le nettoyage.</p> <p>Nettoyez le panier de pré-filtre.</p> <p>Vérifiez que les boulons de fixation de la pompe et la pompe sont bien serrés.</p>
Problème	Cause probable	Solution
La pompe fonctionne sans écoulement.	<p>Turbine desserrée.</p> <p>Fuite d'air</p> <p>Tuyauterie colmatée ou réduite</p>	<p>Vérifiez que la pompe tourne en observant le ventilateur à l'arrière de la pompe à vitesse variable VS2. Si c'est le cas, vérifiez que la turbine de la pompe est installée correctement.</p> <p>Contrôlez les raccords et vérifiez qu'ils sont bien serrés.</p> <p>Vérifiez que le panier ou la tuyauterie coté aspiration n'est pas colmaté.</p> <p>Vérifiez un colmatage éventuel dans la tuyauterie d'évacuation, y compris une vanne partiellement fermée ou un filtre de piscine encrassé.</p>

Erreurs et alarmes

Si une alarme est déclenchée, l'écran LCD du périphérique affiche le texte du code d'erreur et la pompe à vitesse variable VS2 s'arrête. Débranchez l'alimentation électrique de la pompe et attendez que les LED du clavier soient toutes éteintes. À ce moment, remettez la pompe sous tension. Si l'erreur n'est pas supprimée, un dépannage adapté sera nécessaire. Utilisez le tableau de description des erreurs ci-dessous pour commencer le dépannage.

Fault Code	Description
21	Communication link between HMI and motor control has been lost
1A	Power Module over current detected
17	Phase Current Offset out of range
1b	Phase Current Imbalance detected
0F	Absolute AC under voltage detected
02	Absolute Phase current limit exceeded
08	Absolute Diode Bridge temperature limit exceeded
04	Absolute Power Module temperature limit exceeded
06	Absolute Power Factor Correction (PFC) temperature limit exceeded
09	DC bus over voltage detected
0A	DC bus under voltage detected

21 – La liaison de communication entre l'IHM et la commande du moteur est perdue : vérifiez le fil gainé à l'arrière du clavier dans le couvercle supérieur du périphérique. Vérifiez que le connecteur à 5 broches est correctement branché dans la prise et que le câble n'est pas endommagé.

1A – Surintensité détectée dans le module électrique : si cette erreur s'affiche plusieurs fois, il peut y avoir un problème sur l'assemblage rotatif de la pompe. Démontez la pompe et faites des recherches pour voir s'il y a un problème au niveau de la turbine ou du joint mécanique. Voir en page 14 le chapitre « Démontage de la pompe » pour suivre les instructions de démontage de la pompe.

0F – Sous-tension absolue du CA détectée : cela indique que la tension d'alimentation a chuté en dessous de la plage de fonctionnement de 99 v. Cette erreur peut être provoquée par une variation de tension normale et disparaîtra naturellement. Sinon, il peut y avoir une baisse soudaine de tension excessive provoquée par une installation inadaptée ou une tension d'alimentation incorrecte.

17, 1b, 02, 08, 04, 06, 09, 0A – Erreurs internes : Ces erreurs peuvent se produire selon les conditions de fonctionnement et le logiciel obligatoire d'auto-diagnostic de sécurité UL 60730. Si elles ne disparaissent pas après plusieurs tentatives de redémarrage, le périphérique doit être soumis à un cycle de mise sous tension. Déconnectez l'alimentation principale en coupant le disjoncteur suffisamment longtemps pour que les LED du clavier s'éteignent. Après remise sous tension, si l'une de ces erreurs continue d'apparaître, le périphérique peut éventuellement nécessiter un entretien.

Spécifications de la pompe

Valeurs globales

Tension d'alimentation	115-230 Vrms nominaux
Courant d'entrée	13,2/12,0-11,5 A
Fréquence d'entrée	Monophasée, 50 ou 60 Hz
Bornes de contrôle	18-30 V CA (24V CA +/- 20 %) ou 9-30 V CC (12/24 V CC +/- 20 %)
Charge continue maximale	2,0 THP (puissance totale en HP)
Plage de vitesses	300 à 3450 tr/min
Classement environnemental	NEMA Type 3
Conditions ambiantes	
Stockage	-40 °C à +85 °C (-40 °F à +185 °F)
Fonctionnement	0 °C à +50 °C (+32 °F à +122 °F)
Humidité relative	0 à 95 % sans condensation

BELANGRIJKE WAARSCHUWINGEN EN VEILIGHEIDSINSTRUCTIES VOOR DE POMP



BELANGRIJKE OPMERKING

Deze gids bevat belangrijke instructies voor de installatie en bediening van de VS2 Variable Speed pomp. Raadpleeg Pentair als u vragen hebt over deze uitrusting.

Opgelet - installateur: deze gids bevat belangrijke informatie over de installatie, de bediening en het veilige gebruik van dit product. Deze informatie moet na de installatie aan de eigenaar en/of exploitant van deze uitrusting gegeven worden of in de buurt van de pomp achtergelaten worden.

Opgelet - gebruiker: deze handleiding bevat belangrijke informatie om u te helpen dit product te bedienen en te onderhouden. Bewaar ze zodat u ze later kunt raadplegen. Waarschuwingen en veiligheidsinstructies voor pompen en andere verwante producten van Pentair Aquatic Systems zijn beschikbaar op: <http://www.pentairpool.com/pool-owner/safety-warnings/> voor bijkomende gratis exemplaren van deze instructies.

LEES EN RESPECTEER ALLE INSTRUCTIES

BEWAAR DEZE INSTRUCTIES



Dit is het veiligheidssymbool. Wanneer u dit symbool op uw systeem of in deze handleiding ziet, kijk dan uit naar een van de volgende termen. Wees voorzichtig om te vermijden dat u zich verwondt.



Waarschuwt voor gevaren die, als u er geen rekening mee houdt, tot de dood, ernstige lichamelijke letsels of grote materiële schade kunnen leiden.



Waarschuwt voor gevaren die, als u er geen rekening mee houdt, tot de dood, ernstige lichamelijke letsels of grote materiële schade kunnen leiden.



Waarschuwt voor gevaren die, als u er geen rekening mee houdt, tot lichte lichamelijke letsels of beperkte materiële schade kunnen leiden.

OPMERKING wijst op speciale instructies zonder dat er sprake is van gevaar. Lees zorgvuldig alle veiligheidsinstructies in deze handleiding en op de uitrusting en respecteer ze. Hou de veiligheidslabels in goede staat; vervang ze indien ze ontbreken of beschadigd zijn.

Wanneer u deze elektrische uitrusting installeert en gebruikt, moet u altijd de elementaire veiligheidsmaatregelen volgen, waaronder:

WARNING Sta niet toe dat kinderen dit product gebruiken.

WARNING RISICO OP ELEKTRISCHE SCHOK. Sluit het systeem alleen maar aan op een elektrisch circuit dat met een stroomonderbreker op de aardleiding (GFCI) beschermd is. Neem contact op met een gekwalificeerd electricien als u niet kunt controleren of het circuit door een GFCI beschermd is.

WARNING Deze eenheid moet aangesloten worden op een voedingscircuit dat door een stroomonderbreker op de aardleiding (GFCI) beschermd is. Zulk een GFCI moet door de installateur geleverd worden en moet regelmatig getest worden. Om de GFCI te testen, drukt u de testtoets in. De GFCI moet de stroomtoevoer onderbreken. Druk de toets 'reset' in. De stroomtoevoer moet hervat worden. Als de GFCI niet op die manier werkt, is hij defect. Als de GFCI de stroomvoeding naar de pomp onderbreekt zonder dat de testtoets ingedrukt is, is er een aardstroom aanwezig. Dat wijst op de mogelijkheid van een elektrische schok. Gebruik deze pomp niet. Koppel de pomp los en laat het probleem door een gekwalificeerd onderhoudstechnicus oplossen voor u de pomp weer gebruikt.

CAUTION Deze pomp is bedoeld voor permanente zwembaden en kan, indien dat zo vermeld is, ook in jacuzzi's en spa's gebruikt worden. Niet gebruiken met opbergbare zwembaden. Een permanent zwembad is vast in de grond of in een gebouw aangelegd zodat het niet gedemonteerd en opgeborgen kan worden. Een opbergbaar zwembad is zo gebouwd dat het snel gedemonteerd en opgeborgen kan worden en nadien ook weer gemonteerd kan worden.

Algemene waarschuwingen

- Open nooit de binnenkant van de behuizing van de aandrijfmotor. Daar bevindt zich een condensatorbatterij die onder een spanning van 230 VAC staat, zelfs als de eenheid niet gevoed wordt.
- De pomp mag niet ondergedompeld worden.
- De pomp kan een hoog debiet opwekken; bij een oude of twijfelachtige uitrusting moet u voorzichtig zijn en programmeert u de pomp zodat ze niet op haar maximumvermogen werkt.
- De reglementering voor de elektrische aansluiting verschilt van land tot land. Installeer de uitrusting in overeenstemming met de nationale elektrische voorschriften en met alle lokale voorschriften en bepalingen die van kracht zijn.
- Vooraleer u de pomp onderhoudt, schakelt u de voeding van de pomp UIT door het voedingscircuit van de pomp los te koppelen.
- Dit toestel is niet bedoeld om gebruikt te worden door mensen (met inbegrip van kinderen) met een fysieke, zintuiglijke of mentale beperking, of door mensen met onvoldoende kennis en ervaring, tenzij ze onder supervisie staan en instructies over het gebruik van het toestel gekregen hebben van een persoon die voor hun veiligheid verantwoordelijk is.
- Afdoende equipotentiaalverbinding (min 4,5mm² is aanbevolen), in overeenstemming met lokale regelgeving, is vereist tussen alle metalen componenten van het zwembad inclusief de pomp. Zowel voor de elektrische veiligheid als voor het terugdringen van elk risico op corrosie is dit noodzakelijk.



WANNEER DE INSTRUCTIES EN WAARSCHUWINGEN NIET NAGELEEFD WORDEN, KAN DAT ERNSTIGE OF DODELIJKE VERWONDINGEN TOT GEVOLG HEBBEN. DEZE POMP MAG ALLEEN DOOR EEN HIERTOEGELEIDE ZWEMBADTECHNICUS WORDEN GEïNSTALLEERD EN ONDERHOUDEN. DE INSTALLATEURS, ZWEMBADUITBATTERS EN EIGENAARS MOETEN DEZE WAARSCHUWINGEN EN ALLE INSTRUCTIES IN DE GEBRUIKERSHANDLEIDING LEZEN VOOR ZIJ DE POMP GEBRUIKEN. DEZE WAARSCHUWINGEN EN DE GEBRUIKERSHANDLEIDING MOETEN BIJ DE EIGENAAR VAN HET ZWEMBAD WORDEN BEWAARD.



GEVAAR OM VASTGEZOGEN TE WORDEN: BLIJF WEG VAN DE HOOFDFAVOER EN VAN ALLE ZIJDMONDEN!



DEZE POMP KAN EEN HOGE ZUIGKRACHT ONTWIKKELEN EN CREEËRT EEN KRACHTIG VACUÛM TER HOOGTE VAN DE HOOFDFAVOER OP DE BODEM VAN HET ZWEMBAD. DIE ZUIGKRACHT IS ZO STERK DAT ZE VOLWASSENEN OF KINDEREN ONDER WATER KAN HOUDEN WANNEER DIE IN DE BUURT KOMEN VAN EEN AFVOER, OF VAN EEN LOS OF STUK DEKSEL OF ROOSTER VAN DE AFVOER.



RISICO VAN ELEKTRISCHE SCHOK OF ELEKTROCUTIE: POMPEN VERGEN EEN HOOGSPANNING DIE TOT SCHOKKEN, BRANDWONDEN OF DE DOOD KAN LEIDEN. VOORALEER U AAN DE POMP WERKT! Vooraleer u de pomp onderhoudt, sluit u altijd de stroomtoevoer naar de zwembadpomp met de stroomonderbreker af. Als u dat niet doet, kan een elektrische schok de onderhoudstechnicus, de zwembadgebruikers of andere mensen ernstig verwonden of doden.



WANNEER NIET-GOEDGEKEURDE DEKSELS GEBRUIKT WORDEN, OF WANNEER HET ZWEMBAD OF HET SPA GEBRUIKT MOGEN WORDEN, HOEWEL DEKSELS ONTBREKEN, GEBARSTEN OF GEBROKEN ZIJN, IS HET MOGELIJK DAT LICHAMEN, LEDEMATEN OF HAREN GENKELD OF VERSTRIKT RAKEN. MOGELIJKE GEVOLGEN ZIJN HET VERLIES VAN INGEGWANDEN EN/OF DE DOOD.

De zuigkracht ter hoogte van een afvoer houdt de volgende gevaren in:

Geknelde ledematen: wanneer een ledemaat in een opening gestoken of gezogen wordt, zodat het mechanisch vast komt te zitten of er een zwelling ontstaat. Dit gevaar doet zich voor wanneer een afvoerdeksele ontbreekt, loszit, gebroken of gebarsten is, of niet correct bevestigd is.

BELANGRIJKE WAARSCHUWINGEN EN VEILIGHEIDSINSTRUCTIES VOOR DE POMP

Verstrikt haar: wanneer het haar in het deksel van de afvoer verward raakt zodat de zwemmer onder water komt vast te zitten. Dit gevaar bestaat wanneer het debiet van het deksel te klein is in verhouding tot de pomp of pompen.

Gekneld lichaam: wanneer een deel van het lichaam tegen het deksel van de afvoer gezogen wordt zodat de zwemmer onder water komt vast te zitten. Dit gevaar bestaat wanneer het afvoerdekseel ontbreekt of gebroken is, of het debiet van het deksel niet hoog genoeg is in verhouding tot de pomp of pompen.

Verlies van ingewanden: wanneer een persoon op een open mond van een zwembad (vooral een plonsbadje) of een spa zit en er een directe zuigkracht op de ingewanden uitgeoefend wordt, wat tot ernstige letsels aan de ingewanden kan leiden. Dit gevaar doet zich voor wanneer een afvoerdekseel ontbreekt, loszit, gebarsten is of niet correct werd bevestigd.

Mechanische inklemming: wanneer juwelen, zwempakken, haarbanden, vingers, tenen of knokkels in een opening van een afvoerdekseel gekneld raken. Dit gevaar doet zich voor wanneer een afvoerdekseel ontbreekt, loszit, gebroken of gebarsten is, of niet correct bevestigd is.

OPMERKING: ALLE LEIDINGEN DIE WATER AANZIJNEN, MOETEN IN OVEREENSTEMMING MET DE RECENTSTE NATIONALE EN LOKALE VOORSCHRIFTEN, NORMEN EN RICHTLIJNEN GEÏNSTALLEERD WORDEN.

⚠ WARNING OM DE RISICO'S VAN KWETSUREN ALS GEVOLG VAN BEKNELLING TOT EEN MINIMUM TE BEPERKEN:

- Zuigdekseels moeten minstens 1 m van elkaar geïnstalleerd worden, gemeten van het dichtste punt tot het dichtste punt.
- Controleer alle dekseels geregeld op barsten, beschadiging en verregaande ververing.
- Als een deksel losgekomen, beschadigd of gebroken is, of als het ontbreekt, vervang het dan door een aangepast en goedgekeurd deksel.
- Vervang indien nodig de afvoerdekseels. Na verloop van tijd gaan afvoerdekseels onder invloed van het zonlicht en het weer ververen.
- Kom niet de haren, de ledematen en het lichaam niet te dicht bij een zuigdekseel, zwembadafvoer of uitgang.
- Schakel de aanzuiguitgangen uit of bouw ze om tot retouringen.

⚠ WARNING In een gemakkelijk toegankelijke, voor de hand liggende ruimte moet een duidelijk gesignaleerde noodschakelaar voor de pomp gemonteerd worden. Zorg ervoor dat de gebruikers weten waar die schakelaar zich bevindt en dat ze die in geval van nood kunnen gebruiken.

De Virginia Graeme Baker (VGB) Pool and Spa Safety Act (wet betreffende de veiligheid in zwembaden en spa's) legt eigenaars en exploitanten van commerciële zwembaden en spa's nieuwe vereisten op.

Commerciële zwembaden of spa's die na 19 december 2008 gebouwd zijn, moeten over de volgende voorzieningen beschikken:

(A) Een meervoudig afvoersysteem dat niet afgesloten kan worden, met dekseels van de zuigmonden die aan de norm 'ASME/ANSI A112.19.8a Suction Fittings for Use in Swimming Pools, Wading Pools, Spas, and Hot Tubs' voldoen en:

- (i) Een veiligheidssysteem voor de eliminatie van de zuigkracht (SVRS) dat aan de norm 'ASME/ANSI A112.19.17 Manufactured Safety Vacuum Release Systems (SVRS) for Residential and Commercial Swimming Pool, Spa, Hot Tub, and Wading Pool Suction Systems' en/of de norm 'ASTM F2387 Standard Specification for Manufactured Safety Vacuum Release Systems (SVRS) for Swimming pools, Spas and Hot Tubs' voldoet of
- (ii) Een terdede ontworpen en getest ontluichtingssysteem om de zuigkracht te beperken, of
- (iii) Een systeem om de pomp automatisch uit te schakelen.

Commerciële zwembaden en spa's die voor 19 december 2008 gebouwd zijn, met één enkele zuigmond onder water, moeten die zuigmond voorzien van een deksel dat aan de norm ASME/ANSI A112.19.8a voldoet en met:

- (A) een SVRS die aan de norm ASME/ANSI A112.19.17 en/of ASTM F2387 voldoet, of
- (B) een terdede ontworpen en getest ontluichtingssysteem om de zuigkracht te beperken, of
- (C) een systeem om de pomp automatisch uit te schakelen, of
- (C) afgesloten monden onder water, of
- (E) zuigmonden die tot retourinlaten omgebouwd zijn.

Installatie van elektrische bedieningselementen op het uitrustingsbord (ON/OFF-schakelaars, timers en Automation Load Center)

⚠ CAUTION



Installeer alle elektrische bedieningselementen - zoals aan-/uit-schakelaars, timers, regelsystemen, enz. van de pomp of de filter - op zulk een manier op het paneel dat de gebruiker geen deel van zijn/haar lichaam boven of in de buurt van het deksel van de pompzee, de filter of de klepafsluitingen moet brengen om ze te bedienen. Die installatie moet de gebruiker genoeg ruimte laten zodat hij bij het opstarten, stilleggen of onderhouden van de systeemfilter op voldoende afstand van de filter en de pomp kan blijven.

⚠ DANGER



GEVAARLIJK DRUKNIVEAU: BLIJF BIJ DE START OP EEN VEILIGE AFSTAND VAN DE POMP EN DE FILTER

Pompsystemen werken onder een hoge druk. Wanneer een onderdeel van het pompsysteem (bijv. afsluiting, pomp, filter, kleppen) onderhouden wordt, kan er lucht in het systeem dringen en daar onder druk gezet worden. Door lucht onder druk kunnen het deksel van de pompbehuu-

zizing, het deksel van de filter en de kleppen met grote kracht loskomen wat tot ernstige lichamelijke letsels of de dood kan leiden. De dekseels van filter en voorfilter moeten stevig worden bevestigd om te voorkomen dat ze losschieten. Blijf op voldoende grote afstand van alle pompuitrusting wanneer u de pomp inschakelt of start.

Voor u de uitrusting onderhoudt, noteert u de filterdruk. Vergewis u ervan dat alle elementen zo zijn ingesteld dat het systeem tijdens het onderhoud niet onbedoeld in werking kan treden. Schakel de stroomtoevoer naar de pomp volledig uit. **BELANGRIJK:** open de manuele ontlastklep van de filter en wacht tot alle druk in het systeem ontsnapt is.

Voor u het systeem start, open u de manuele ontlastklep helemaal en zet u alle systeemkleppen in de positie 'open' zodat het water vrij uit de tank en weer naar de tank kan stromen. Blijf uit de buurt van alle uitrusting en start de pomp. **BELANGRIJK:** sluit de manuele ontlastklep van de filter niet voor alle druk uit de klep ontsnapt is en er een gelijkmatige stroom water te zien is. Controleer de drukmeter van de filter en vergewis u ervan dat de druk niet hoger is dan vóór het begin van de werkzaamheden.

Algemene informatie over de installatie

- Alle werkzaamheden moeten door een gekwalificeerd onderhoudstechnicus uitgevoerd worden en moeten aan alle nationale, gewestelijke en lokale voorschriften voldoen.
- Zorg ervoor dat eventueel vocht uit het compartiment met de elektrische onderdelen kan weglopen.
- Deze instructies bevatten informatie voor een groot aantal pompmodellen. Daardoor kan het dat sommige instructies bij bepaalde modellen niet van toepassing zijn. Alle modellen zijn bedoeld voor gebruik in zwembadtoepassingen. De pomp zal alleen goed werken als ze de juiste grootte voor de specifieke toepassing heeft en als ze goed geïnstalleerd is.
- Om te voorkomen dat de impeller loskomt, wordt sterk aanbevolen om achter de pomp een terugslagklep te installeren.

⚠ WARNING

Pompen met een verkeerd formaat, pompen die verkeerd geïnstalleerd zijn of pompen die voor andere toepassingen gebruikt worden dan die waarvoor ze bedoeld zijn, kunnen tot ernstige lichamelijke letsels of de dood leiden. Deze risico's kunnen de volgende zijn maar zijn niet beperkt tot: elektrische schok, brand, overstroming, vastraken in de aanzuigopening, ernstige verwondingen of materiële schade als gevolg van een structureel defect van de pomp of van een ander deel van het systeem.

⚠ WARNING

De pomp kan een sterke onderdruk opwekken aan de aanzuigkant van de leidingen. Die hoge onderdruk kan een risico vormen als iemand in de onmiddellijke nabijheid van de aanzuigopening komt. Door die hoge onderdruk kan iemand ernstig gewond raken of vastgegrepen worden en verdrinken. Het is onontbeerlijk om bij de installatie van de aanzuigleidingen de recentste nationale en plaatselijke voorschriften voor zwembaden te respecteren.

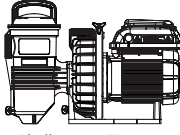
BEWAAR DEZE INSTRUCTIES

Overzicht van de pomp

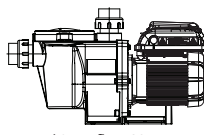
De VS2 Variable Speed pomp is de perfecte keuze voor zwembaden van gelijk welk type. De pomp is specifiek ontwikkeld zodat ze uw beste keuze is voor uiteenlopende, vast in de grond ingebouwde zwembaden.

Een dikwandig pomplichaam, een krachtige motor en spitstechnologische hydraulische componenten maken dit robuuste en beproefde model ideaal voor zwembaden, bubbelbaden, waterornamenten of fonteinen.

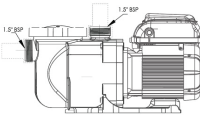
Alle pompen van Pentair Aquatic Systems beschikken over innovatieve hydraulische technologie die gedurende meer dan 40 jaar werd verfijnd. De VS2 is een compacte, robuuste en gemakkelijk te onderhouden pomp die jarenlang betrouwbaar zal werken.



Challenger VS2 Pump
P/N: CHL-VS2



Whisperflo-VS2 Pump
P/N: WFL-VS2



Superflo-VS2 Pump
P/N: SFL-VS2

Algemene kenmerken

- Buitengewoon geluidsarme werking
- Wartelkoppelingen (1,5" en 2") voor een eenvoudige vervanging.
- Fuzzy Source:
- Op zeer zwaar werk berekende, volledig ingekapselde TEFC-motor met koeling door een ventilator voor een lange levensduur.
- Geïntegreerde combinatie spiraalhuis en pot voor een laag hydraulisch geluidsniveau
- Doorkijkdeksel voor een eenvoudige inspectie van de zeefmand
- Pomp zuigt zelf water aan met het oog op een snelle, eenvoudige start
- CE/REACH-gecertificeerd
- Klasse IPX6

Kenmerken van de controller

- Eenvoudige gebruikersinterface
- Uv- en regenbestendige behuizing klasse IPX6
- Geïntegreerd dagtijdschema
- Verstelbare vulmodus
- Programmeerbare Quick Clean-functie
- Weergave en opslag diagnosealarm
- Actieve vermogensfactorcorrectie
- Geschikt voor ingangsvermogen van 99-253 V, 50/60

Hz

- Automatisch beveiligingscircuit met vermogensbegrenzing
- 24-uurs klokgeheugen bij stroomuitval
- Modus toetsvergrendeling
- Geschikt voor digitale laagspanningsingangen vanaf externe bedieningselementen

Overzicht van de controller

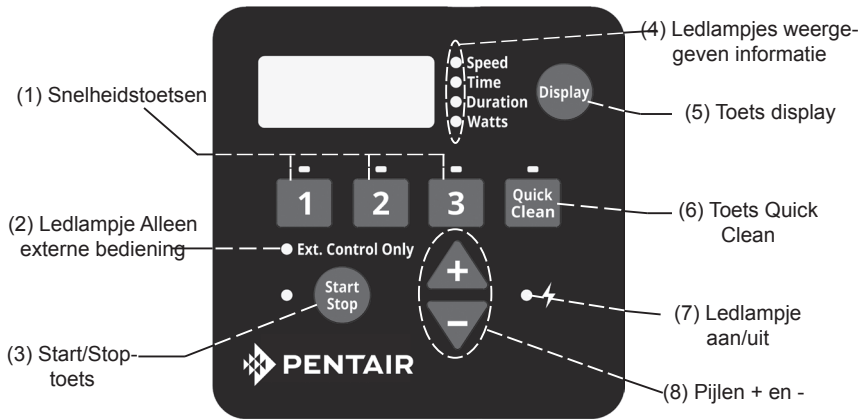
De VS2-pomp met variabele snelheid is uitgerust met een bijzonder efficiënte motor die met een variabel toerental werkt en die een enorme flexibiliteit biedt bij het programmeren van het motortoerental en de cyclustijd. De pomp is bedoeld om met de laagst mogelijke snelheid te werken die nodig is om de hygiëne van het zwembad in stand te houden, wat op zijn beurt weer het energieverbruik beperkt. De omvang van het zwembad, de aanwezigheid van bijkomende waterornamenten, de chemicaliën die gebruikt worden om de hygiëne in stand te houden, en lokale omgevingsfactoren hebben een invloed op het optimale programma om het energieverbruik tot een minimum te beperken.

⚠ WARNING Deze pomp is bestemd voor gebruik bij een nominale spanning van 115/208-230 Vrms, en ALLEEN als zwembadpomp. Wanneer de pomp op een verkeerde spanning aangesloten wordt of in een andere toepassing gebruikt wordt, dan kan dat tot schade aan de uitrusting of tot lichamelijke letsels leiden.

De geïntegreerde elektronische interface stuurt de snelheidsinstellingen en de cyclustijden aan. De pomp kan werken bij snelheden tussen 300 en 3.450 rpm en in een spanningsbereik van 99-253 Vrms met een ingangsfrequentie van 50 of 60 Hz. Wanneer een programmering op maat nodig is, kunnen enkele pogingen nodig zijn om de instellingen te vinden die het best aan de omstandigheden aangepast zijn. In de meeste gevallen kan de pomp op de laagste snelheid en de langste cyclustijd worden ingesteld om het energieverbruik te beperken. De omstandigheden kunnen het echter noodzakelijk maken om de pomp elke dag een tijdje met een hogere snelheid te laten draaien, zodat het water degelijk gefilterd wordt en de hygiëne behouden blijft.

Opmerking: pas de pomp zo goed mogelijk aan de individuele omstandigheden van het zwembad aan. Specifieke omstandigheden met betrekking tot de grootte van het zwembad, andere systemen, kenmerken en omgevingsfactoren kunnen de optimale instellingen beïnvloeden.

OVERZICHT BEDIENINGSPANEEL



⚠ CAUTION

Als de motor van de VS2-pomp met variabele snelheid op het stroomnet aangesloten is, dan kan hij starten wanneer u een van de volgende toetsen, die in deze paragraaf vermeld worden, indrukt. Bijzonder efficiënt ontwerp van de elektromechanische motor en de bediening

Navigatie met het toetsenbord

- 1. Snelheidstoetsen** - Gebruikt om de gewenste pompsnelheid in te stellen. De led boven een van de snelheidstoetsen licht op om aan te geven welke snelheid geselecteerd werd of ingeschakeld is. Een knipperende led geeft aan dat een externe bediening actief is op het kanaal voor die snelheid.
- 2. Ledlampje Alleen externe bediening** - Geeft aan dat de pomp in de modus "Alleen externe bediening" werkt. Wanneer de led brandt, is het programma uitgeschakeld en is het enige ingangssignaal dat van de externe laagspanningsbedieningen.
- 3. Start/Stop-toets** - Gebruikt om de pomp in en uit te schakelen. Wanneer de pomp uitgeschakeld is en de led niet brandt, kan de pomp door geen enkel signaal worden aangestuurd.
- 4. Ledlampjes weergegeven informatie** - Een oplichtende led geeft aan welke informatie op het scherm wordt weergegeven. Een knipperende led geeft aan dat deze parameter op dat ogenblik wordt gewijzigd.
- 5. Toets display** - Gebruikt om te schakelen tussen de diverse parameters die kunnen worden weergegeven op het scherm. Deze toets wordt ook gebruikt om de 24-uursklok en de schermresolutie in te stellen.
- 6. Toets Quick Clean** - Gebruikt om een geselecteerde, voor Quick Clean geprogrammeerde snelheid en cyclustijd in te schakelen. Wanneer de led brandt, is het Quick Clean-programma actief.
- 7. Ledlampje aan/uit** - Een brandende led geeft aan dat de pomp stroom ontvangt.
- 8. Pijlen "+" en "-"** - Gebruikt om de pompinstellingen te wijzigen op het scherm. De pijl "+" en de pijl "-" dienen om de waarde van een parameter respectievelijk te verhogen en te verlagen. Door een pijltoets ingedrukt te houden, worden de waarden sneller verhoogd of verlaagd.

Alleen een hiertoe opgeleide loodgieter mag de VS2-pomp met variabele snelheid installeren. Raadpleeg "Waarschuwingen en veiligheidsinstructies" op p. ii-iii voor bijkomende informatie over de installatie en de veiligheid.

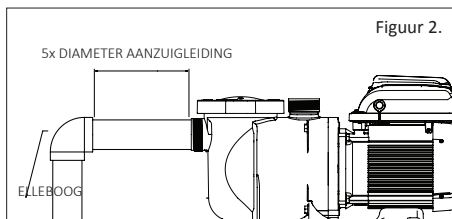
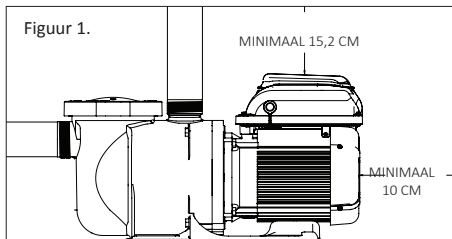
Plaats

Opmerking: installeer deze pomp niet binnen de buitenmantel of onder de zijmantel van een hot tub of bubbelbad tenzij anders aangegeven.

Opmerking: controleer of de pomp mechanisch bevestigd is aan de installatieplaat.

Controleer of de installatieplaats van de pomp aan de volgende eisen voldoet.

1. Installeer de pomp zo dicht mogelijk bij het zwembad of bubbelbad. Om wrijvingsverliezen te verminderen en het rendement te verbeteren, dient u korte en rechte aanzuig- en retourleidingen te gebruiken.
2. Installeer op minstens 1,5 m van de binnenwand van het zwembad of bubbelbad.
3. Installeer de pomp op minstens 1 meter van de uitlaat van het verwarmingselement.
4. Installeer de pomp niet hoger dan 3 meter boven het waterpeil.
5. Installeer de pomp op een goed geventileerde plaats, beschermd tegen overdreven vocht (d.w.z. tegen regenafvoerpijpen, tuinsproeiers enz.).
6. Installeer de pomp met achteraan een speling van ten minste 10 cm zodat de motor gemakkelijk verwijderd kan worden voor reparatie en onderhoud. Zie **Afbeelding 1**.



Leidingwerk

1. Hoe groter de diameter van de leiding, hoe beter.
2. De diameter van de leiding aan de aanzuigzijde van de pomp moet gelijk zijn aan of groter zijn dan die van de retourleiding.
3. De leiding aan de aanzuigzijde van de pomp moet zo kort mogelijk zijn.
4. Voor de meeste installaties beveelt Pentair aan zowel de aanzuig- als de retourleidingen van de pomp van een klep te voorzien om ze te kunnen isoleren voor periodiek onderhoud. Wij raden echter ook aan een klep, elleboogverbinding of T-stuk in de aanzuigleiding niet dichterbij de voorzijde van de pomp te plaatsen dan vijf (5) keer de diameter van de aanzuigleiding. Zie **Figuur 2**.

Voorbeeld: voor een leiding van 2,5" moet een rechte buis van 31,8 cm vóór de aanzuigopening van de pomp worden geplaatst. Dit zal helpen om de pomp sneller te vullen waardoor ze langer zal meegaan.

Opmerking: installeer haakse ellebogen NIET rechtstreeks in de pompingang of -uitgang.

Accessoires en kleppen

1. Installeer geen haakse ellebogen rechtstreeks in de pompinlaat.
2. Aanzuigsystemen die zich in het water bevinden, dienen schuifafsluiters te hebben in de aanzuig- en stuwleiding om het onderhoud te kunnen uitvoeren; de afstand van de schuifafsluiter in de aanzuigleiding tot de pomp moet minimaal vijf keer de diameter van de aanzuigleiding bedragen, zoals in dit deel beschreven.
3. Plaats een terugslagklep in de persleiding wanneer u deze pomp gebruikt voor een toepassing waarbij de leiding voorbij de pomp een grote hoogte bereikt.
4. Installeer altijd terugslagkleppen wanneer leidingen parallel met een andere pomp worden geplaatst. Dit voorkomt dat het schoepenrad en de motor in de ongewenste richting draaien.

Elektrische vereisten

- Installeer alle uitrusting in overeenstemming met de nationale elektrische voorschriften en met alle lokale voorschriften en bepalingen die van kracht zijn.
- De vaste bedrading moet voorzien zijn van een middel om ze af te sluiten, in overeenstemming met de voorschriften.

WARNING

GEVAAR VOOR ELEKTRISCHE SCHOKKEN OF ELEKTROCUTIE. De pomp met variabele snelheid moet door een erkende of gecertificeerde electricien of onderhoudstechnicus geïnstalleerd worden, in overeenstemming met de nationale elektrische voorschriften en met alle lokale normen en voorschriften die van kracht zijn. Een verkeerde installatie houdt een elektrisch risico in dat, bijvoorbeeld als gevolg van een elektrische schok, tot de dood of ernstige letsels van de gebruikers, installateurs of andere mensen kan leiden. Tegelijk kan er ook schade aan het eigendom toegebracht worden.

Koppel de pomp altijd af van het elektriciteitsnet d.m.v. de stroomonderbreker alvorens te ze onderhouden. Houdt u zich daar niet aan, dan kan dat als gevolg van een elektrische schok tot de dood of tot ernstige letsels voor onderhoudspersoneel, zwembadgebruikers of andere personen en/of tot schade aan het eigendom leiden. Lees alle onderhoudsinstructies vooraleer u aan de pomp gaat werken.

Overzicht bedrading en installatie

WARNING

Voor de installatie, het onderhoud of de herstelling van elektrische componenten moet de stroom worden uitgeschakeld. Neem alle waarschuwingen op de bestaande apparatuur en de pomp en in deze installatie-instructies in acht.

De pomp moet bedraad worden overeenkomstig de lokale elektrische voorschriften en normen. Raadpleeg altijd de nationale elektrische voorschriften. Deze pomp moet geïnstalleerd worden door een gediplomeerde electricien.

De pomp is geschikt voor een eenfasige ingangsspanning van 99-253 V, 50 of 60 Hz. De aansluitingen van het klemmenblok zijn geschikt voor massieve draad of strengkabel tot 10 AWG. Er zijn ook snelkoppelingen. Controleer echter de lokale elektrische voorschriften voor de gewenste aansluitmethode. De aansluitingen moeten permanent op de aardklem (zie **Figuur 3**) in het veldbedradingscompartiment worden uitgevoerd overeenkomstig de lokale elektrische voorschriften. De controller van de motor zal tijdens de werking op een lagere spanning automatisch de pompsnelheid regelen om de stroomsterkte onder 13,2 A te houden. De bedrading hoeft niet te worden gewijzigd om de pomp op een nominale spanning van 110 V te laten draaien. In die omstandigheden worden dezelfde klemmen gebruikt als bij bedrading voor hoge spanning.

De aandrijving werkt op tweefasige elektrische systemen met leiding, leiding en aarding of met leiding, nulleider en aarding. Deze pomp moet permanent aangesloten worden op een stroomonderbreker zoals voorgeschreven door de lokale elektrische voorschriften.

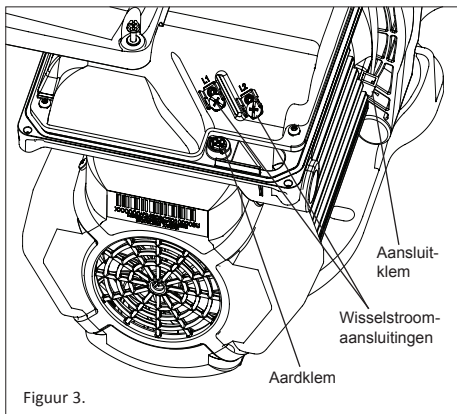
1. Schakel alle automatische uitschakelaars en schakelaars uit alvorens de motor te bedraden. Wacht na het onderbreken van de stroomtoevoer naar de pomp altijd vijf (5) minuten alvorens de aandrijving te openen of eraan te werken.
2. Kies een kabeldikte in overeenstemming met de nationale elektrische voorschriften en alle toepasselijke lokale voorschriften en normen. Om de pomp stil te leggen, drukt u de toets STOP in. Controleer of de bedradingsspanning zich in het werkbereik bevindt.
3. Controleer of alle elektrische aansluitingen schoon zijn en vastgedraaid zijn.
4. Snij de kabels op de juiste lengte af zodat ze elkaar niet overlappen of raken wanneer ze op de terminalplaat aangesloten zijn.
5. Zorg voor een permanente aarding van de motor. Gebruik daarvoor de aardingschroef op de achterzijde (binnenkant) van de controllerinterface, (zie **Figuur 3**). Gebruik de juiste kabeldikte en het juiste type in overeenstemming met het huidige Reglement op Elektrische Installaties. Controleer of de aardingsdraad met een elektrische aarding is verbonden.
6. Verbind de motor met alle metalen onderdelen van de zwembadstructuur en met alle elektrische apparatuur, metalen leidingen en metalen pijpen die zich op minder dan 1,5 m

van de binnenwanden van het zwembad, het bubbelbad of de hot tub bevinden. Volg hierbij het huidige Reglement op Elektrische Installaties. UL vereist het gebruik van een massief koperen geleider nr. 8 AWG of groter. Zie **Figuur 3**.

Opmerking: Voor Canada is een massief koperen geleider nr. 6 AWG of groter vereist.

Als een gebruiker een schema probeert te programmeren waarvan de gecombineerde duur van de drie stappen groter is dan 24 uur, behoudt de software van de pomp alleen de duur van de STEP die op dat moment geprogrammeerd wordt, en zet ze de tijdstellingen van de twee andere STEP's op nul. Als een wisselstroomvoeding gevoed wordt door een verliesstroomschakelaar, gebruik dan een specifieke automatische uitschakelaar waarop geen andere elektrische belastingen zijn aangesloten.

Sluit de pomp permanent op een circuit aan. Controleer of geen andere lichten of toestellen op hetzelfde circuit geschakeld zijn.



Figuur 3.

Het veldbedradingscompartiment heeft een 1/2" leidingpoort met 1/2" draad voor een vloeistofdichte bevestiging.

De aansluitklem moet gebruikt worden om het motorframe te verbinden met de installatieplaat van de uitrusting.

Bediening met externe bedieningen en digitale ingangen

De gebruiker kan de VS2-pomp met variabele snelheid gebruiken met automatische externe bedieningen of Pentair® ControlPro™, waarmee de vier geprogrammeerde snelheden op afstand kunnen worden aangestuurd. De pomp heeft een afgesloten aansluiting die met Pentair Data Cable (optie, A/N 353129Z) kan worden gebruikt om de snelheden te regelen met behulp van digitale ingangssignalen. Wanneer een extern laagspanningssignaal aanwezig is op de digitale ingangsleding voor de snelheid, zal de pomp draaien met de snelheid die geprogrammeerd is voor de betrokken digitale ingang. Het geleverde +5V-signaal is de aanbevolen ingangsspanning voor externe bediening en digitale snelheidssignalen.

Aansluiting op externe bedieningen

Met het geleverde laagspanningssignaal voor digitale sturing

De VS2-pomp levert een laagspanningsuitgangssignaal dat gebruikt kan worden om zijn eigen digitale ingangssignalen te activeren. Het signaal moet via het externe bedieningssysteem worden geschakeld om de snelheid in te stellen waarop het aangesloten is, zoals weergegeven in **Figuur 4**. Dit kan een automatiseringsrelais of schakelaar in een ander toestel zijn. Deze functie kan nuttig zijn om de pomp een bepaald programma te laten uitvoeren wanneer voor een taak een specifieke snelheid nodig is.

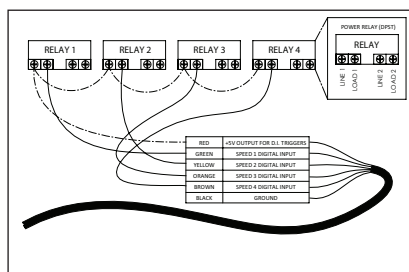
De draad die bij de Pentair Data Cable (optie, A/N 353129Z) hoort, moet op de juiste lengte worden gesneden voor de installatie. Laat geen overtollige draad rond de installatie over. De kabel moet door een stijf voorwerp ondersteund worden als geen leidingbuis wordt gebruikt. Aan één eind van de kabel bevindt zich een op maat getogen, waterdichte stekker die in de aansluiting op het paneel aan de zijkant van de aandrijving wordt gestoken. Het andere eind heeft 6 draden die beschreven worden in **Tabel 1** hieronder. Wanneer het door de aandrijving geleverde +5V-signaal wordt gebruikt, moeten de snelheden worden aangesloten zoals aangegeven in **Afbeelding 4**.

Wanneer een extern laagspanningssignaal aanwezig is op de digitale ingangsleding voor de snelheid, zal de pomp draaien met de snelheid die geprogrammeerd is voor de geactiveerde snelheid. Het +5V-signaal dat via de (rode) draad wordt geleverd, is het voorgestelde ingangssignaal voor de digitale snelheidsingangen. Zie **Figuur 4**.

Opmerking: om het even welk relais kan aan om het even welke digitale ingang worden gekoppeld. **Afbeelding 4** toont een van de vele bedradingsopties die beschikbaar zijn voor de installateur. Door die keuzemogelijkheden kunt u externe bedieningen installeren op de manier die het best op uw behoeften is afgestemd.

Opmerking: dit +5V-signaal (rode draad) kan alleen een uitgangssignaal van de aandrijving zijn, en mag nooit op een andere voeding worden aangesloten!

Wanneer een digitale ingang voor de snelheid wordt geactiveerd, gaat de led boven de **snelheidstoets** knipperen en schakelt het scherm tussen de schermparameter en "EC" om aan te geven dat een externe bediening geactiveerd is. De pomp draait dan met deze snelheid zolang de trigger van het digitale ingangssignaal aanwezig is. Deze modus heeft voorrang op de geprogrammeerde waarden of de snelheidsselecties die de gebruiker heeft ingevoerd met het toetsenbord. De **toets display** is nog operationeel, net als de **Start/Stop-toets**. Wanneer de digitale ingangstrigger uit alle digitale ingangsdraden voor de snelheid is gehaald, hervat de pomp het ingestelde programma.



Illustratie4:
Aansluitschema externe bedieningskit

Met het extern geleverde laagspanningssignaal voor digitale sturing

Wanneer een extern laagspanningssignaal wordt gebruikt om de digitale ingang te activeren, moet de draad worden aangesloten zoals weergegeven in Afbeelding 5. Het ingangssignaal van de laagspanning moet zich in het bereik van 5-30V AC of DC bevinden. In dit geval wordt de rode +5V-voeding vanaf de motorcontroller niet gebruikt.

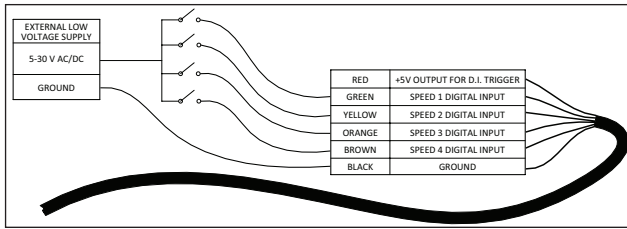
Opmerking: dit +5V-signaal (rode draad) kan alleen een uitgangssignaal van de aandrijving zijn, en mag nooit op een andere voeding worden aangesloten!

Het externe laagspanningssignaal kan door schakelaars of relais geregeld worden om de gewenste digitale ingang te

Definitie	Signaalbereik	Draad-kleur
+5V-uitgang voor digitale ingangen	0 - 20 mA	Rood
Digitale ingang Snelheid 1	0, 5 - 30 V AC/DC	Groen
Digitale ingang Snelheid 2	0, 5 - 30 V AC/DC	Geel
Digitale ingang Snelheid 3	0, 5 - 30 V AC/DC	Oranje
Digitale ingang Quick Clean	0, 5 - 30 V AC/DC	Bruin
Gemeenschappelijke aarding	0 V	Zwart

Tabel 1:
Aansluitschema ingangen automatische controller

activeren. Indien meer dan een digitale ingang tegelijk actief is, zal één hiervan voorrang moeten krijgen.



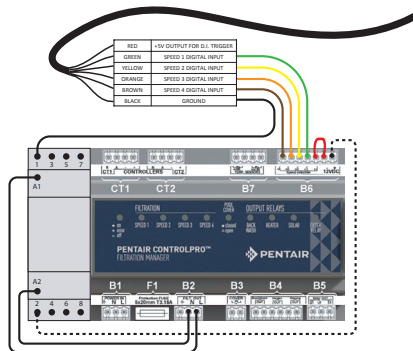
Figuur 5: Aansluitschema laagspanningsvoeding

Opmerking: als de pomp met de Start/Stop-toets werd uitgeschakeld, zal ze niet meer draaien tot ze opnieuw wordt ingeschakeld met de Start/Stop-toets. Als de Start/Stop-led brandt, betekent dit dat de pomp ingeschakeld is en dat ze via digitale ingangen zal draaien.

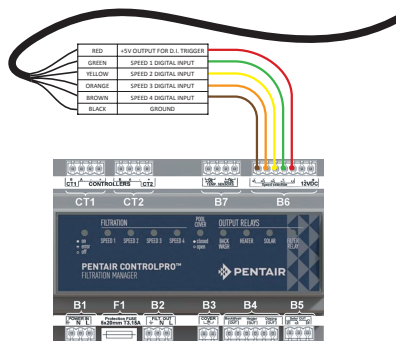
Opmerking: als meer dan een laagspanningstrigger aanwezig is, gelden de volgende voorrangregels: Quick Clean, Snelheid 3, Snelheid 2, en Snelheid 1.

Aansluiten op Pentair® ControlPro™

Wanneer u een installatie met externe bediening voor ogen hebt, biedt Pentair® ControlPro™ een gemakkelijke oplossing voor de volledige sturing van het zwembad. De snelheidsinstelling wordt door ControlPro™ geschakeld via de interface. Ga naar www.pentairpooleurope.com voor meer informatie. De aansluiting moet worden uitgevoerd zoals aangegeven in Figuur 6. Het correcte laagspanningssignaal komt van ControlPro™. Daarom moet de aarde verbonden worden met de schakelaar. Wanneer de VS2-pomp wordt aangesloten op de ControlPro™, controleer dan altijd de ControlPro-handleiding op www.pentairpooleurope.com.



Figuur 6: aansluitschema ControlPro



Figuur 6: aansluitschema ControlPro+

Modus Alleen externe bediening

In de modus Alleen externe bediening kan de pomp alleen bediend worden met externe commando's/signalen. Het pompprogramma is dan niet actief en ook snelheidscommando's die de gebruiker op het toetsenbord invoert, worden genegeerd. Wanneer de pomp wordt uitgeschakeld, kan de gebruiker de snelheden nog programmeren voor de vier snelheidstoetsen.

Om de modus Alleen externe bediening in te schakelen:

1. Schakel de pomp uit door de **Start/Stop**-toets in te drukken.
2. Activeer de modus Alleen externe bediening door de **Start/Stop**-toets gedurende 3 seconden ingedrukt te houden.
3. Als dit gelukt is, licht de led naast Alleen externe bediening op. Zie **Figuur 7**.
4. De **Start/Stop**-toets moet opnieuw worden ingedrukt om de pomp te laten draaien.



Figuur 7: Modus Alleen externe bediening inschakelen

Om de modus Alleen externe bediening uit te schakelen:

1. Schakel de pomp uit door de **Start/Stop**-toets in te drukken.
2. Schakel de modus Alleen externe bediening uit door de **Start/Stop**-toets gedurende 3 seconden ingedrukt te houden.
3. Als dit gelukt is, dooft de led naast Alleen externe bediening. Zie **Figuur 7**.
4. De **Start/Stop**-toets moet opnieuw worden ingedrukt om de pomp te laten draaien.

De klok instellen

Wanneer de pomp de eerste keer wordt aangesloten, knippert de klok om aan te geven dat de tijd nog niet is ingesteld. Alle door de gebruiker in te stellen dagprogramma's zijn gebaseerd op de instelling van deze klok. Daarom moet de klok eerst ingesteld worden.

Om de klok in te stellen:

1. Druk de toets **Display** drie seconden in.
2. Gebruik de pijltoetsen "+" en "-" om te kiezen tussen 12- of 24-uursnotering.
3. Druk op **Display** om verder te gaan in het menu Instelling klok.
4. Gebruik de pijltoetsen "+" en "-" om de klok op de correcte tijd in te stellen. In de 12-uursnotering wordt AM/PM weergegeven in de rechterbenedenhoek.
5. Druk op **Display** om verder te gaan.
6. Gebruik de pijltoetsen "+" en "-" om de helderheid van het scherm aan te passen.
7. Druk op **Display** om het menu Instelling klok te verlaten. De klok is nu ingesteld.

Tijdens een stroomuitval bewaart de aandrijving de instelling van de klok tot 24 uur in het geheugen. Als de stroom voor meer dan 24 uur uitvalt, moet de klok opnieuw worden ingesteld. Indien de aandrijving de door de gebruiker ingestelde tijd verliest, knippert de klok tot de tijd opnieuw wordt ingesteld.

DE POMP BEDIENEN

Wanneer de tijd opnieuw is ingesteld, stopt het knipperen van de klok.

Opmerking: wanneer de pomp na een langdurige onderbreking (meer dan 24 uur) opnieuw stroom ontvangt, wordt de klok automatisch opnieuw ingesteld op de starttijd voor Snelheid 1. Vervolgens knippert ze en gaat ze verder naar de volgende stap. Vanaf die starttijd draait de pomp volgens het bijbehorende programma.

Gebruik van het standaardprogramma

Het standaardprogramma is ontworpen om voldoende omkeringen per dag uit te voeren voor het onderhoud van een gemiddeld zwembad. Zie **Tabel 2** voor het standaardprogramma.

	Duur (Uren)	Snelheid (rpm)
SNELHEID 1	2	3.000
SNELHEID 2	10	1400
SNELHEID 3	2	2200

Tabel 2: Standaardprogramma

SNELHEID 1 is geprogrammeerd om ingeschakeld te worden om 8.00 uur en 2 uur lang 3.000 rpm aan te houden. Wanneer SNELHEID 1 afgelopen is, begint de pomp onmiddellijk tegen SNELHEID 2 te draaien. SNELHEID 2 is standaard op 1.400 rpm ingesteld en zal 10 uur aangehouden worden. Wanneer SNELHEID 2 afgelopen is, draait de pomp gedurende twee uur met 2.200 rpm tegen SNELHEID 3.

Na 14 uur cyclustijd en aan het einde van de cyclus tegen SNELHEID 3 schakelt de pomp in een stationaire/pauzestand voor de volgende 10 uur. De pomp start opnieuw om 8.00 uur de volgende ochtend en doorloopt dan opnieuw het standaardprogramma. De pomp blijft op die manier draaien tot de gebruiker een aangepaste cyclus in de aandrijving heeft geprogrammeerd.

Opmerking: de Start/Stop-toets moet opnieuw worden ingedrukt en de led moet branden om de pomp te laten draaien.

Aangepaste programma's

Om het programma voor uw VS2-pomp met variabele snelheid aan te passen, moet de pomp worden uitgeschakeld. Controleer of de led van de Start/Stop-toets niet brandt.

Een aangepast programma instellen:

Opmerking: Tijdens het programmeren knippert de led naast de parameter (snelheid, tijd en cyclustijd) die u aan het instellen bent.

1. Als de pomp draait, schakel ze dan uit door de **Start/Stop**-toets in te drukken.
2. Druk op de toets "1". De led boven de geselecteerde SNELHEID begint te knipperen en de led van de parameter "Snelheid" knippert tijdens de instelling van de wijziging. Zie **Figuur 8**.



Figuur 8: snelheid instellen.

3. Gebruik de pijltoetsen "+" en "-" om de snelheid in rpm aan te passen voor SNELHEID 1.

Opmerking: de snelheid wordt verhoogd of verlaagd in trappen van 10 rpm

4. Druk opnieuw op de toets "1". De display schakelt dan om naar de starttijd van SNELHEID 1. De led van de parameter "Tijd" begint te knipperen. Zie **Figuur 9**.



Figuur 9: starttijd instellen

5. Gebruik de pijltoetsen "+" en "-" om de dagelijkse starttijd voor SNELHEID 1 aan te passen.
6. Druk opnieuw op de toets "1". De display schakelt dan om naar de cyclustijd voor SNELHEID 1. De led van de parameter "Cyclustijd" begint te knipperen. Zie **Figuur 10**.



Figuur 10: cyclustijd instellen

7. Gebruik de pijltoetsen "+" en "-" om de cyclustijd voor SNELHEID 1 in uren en minuten aan te passen.

Opmerking: De parameter "cyclustijd" wordt ingesteld in trappen van 15 minuten.

8. Door op de toets "1" te drukken, worden deze parameters doorlopen. De veranderingen worden echter meteen bij het aanpassen opgeslagen.
9. Druk op de toets "2". De led boven SNELHEID 2 begint te knipperen en de led van de overeenkomstige parameter knippert tijdens het aanpassen.
10. Gebruik de pijltoetsen "+" en "-" om de snelheid aan te passen in rpm voor SNELHEID 2.
11. Druk opnieuw op de toets "2". De display schakelt dan om naar de duur van SNELHEID 2.
12. Gebruik de pijltoetsen "+" en "-" om de cyclustijd voor SNELHEID 2 in uren en minuten aan te passen.
13. Herhaal stappen 9-12 om SNELHEID 3 en QUICK CLEAN te programmeren.

Opmerking: onthoud dat de toegestane cyclustijd voor SNELHEID 3 beperkt is tot de resterende tijd in een dag van 24 uur. De pomp blijft in een stationaire toestand gedurende de eventuele resterende tijd van de 24 uur die niet in SNELHEDEN 1-3 geprogrammeerd is.
[SNELHEID 1 + SNELHEID 2 + SNELHEID 3 ≤ 24 uur]

14. Druk op de Start/Stop-toets en controleer of de led oplicht. De pomp is nu ingeschakeld en draait het aangepaste programma van de klant.

Opmerking: als de pomp met de **Start/Stop**-toets werd uitgeschakeld, zal ze niet meer draaien tot ze opnieuw wordt ingeschakeld met de **Start/Stop**-toets. Als de **Start/Stop**-led brandt, betekent dit dat de pomp ingeschakeld is en dat ze het ingestelde programma zal draaien.

Opmerking: als een gebruiker wil dat de pomp gedurende een bepaalde periode van de dag niet draait, kan hij een van de SNELHEDEN instellen op 0 rpm. De pomp blijft in een stationaire/pauzestand tijdens de ingestelde periode voor die SNELHEID.

Snelheidsprioriteiten (niet-externe bediening)

Voor de instelling van de cyclustijden worden de volgende prioriteiten ingesteld voor de SNELHEDEN: SNELHEID 1 + SNELHEID 2 + SNELHEID 3 SNELHEID 1 heeft de hoogste prioriteit, SNELHEID 3 de laagste.

De gebruiker kan geen programma voor meer dan 24 uur instellen. Wanneer het 24e uur van de cyclustijd geprogrammeerd wordt, zal tijd van de snelheden met de laagste prioriteit worden afgetrokken om die toe te voegen aan de SNELHEID die op dat ogenblik wordt ingesteld.

Voorbeeld:

Startschema (vóór aanpassing)

Cyclustijd SNELHEID 1 = 20 uur

Cyclustijd SNELHEID 2 = 2 uur

Cyclustijd SNELHEID 3 = 2 uur

Als de gebruiker SNELHEID 1 herprogrammeert om 23 uur te draaien, worden SNELHEID 2 (lagere prioriteit) en SNELHEID 3 (laagste prioriteit) automatisch ingesteld op een cyclustijd van respectievelijk 1 en 0 uur.

Einde programma (na aanpassing)

Cyclustijd SNELHEID 1 = 23 uur

Cyclustijd SNELHEID 2 = 1 uur

Cyclustijd SNELHEID 3 = 0 uur

Door een van de snelheidstoetsen ("1", "2", "3", "Quick Clean") in te drukken terwijl de pomp draait, worden de actuele instellingen tijdelijk opgeheven. De pomp draait met de snelheid en voor de cyclustijd die voor deze toets geprogrammeerd zijn. Wanneer deze cyclus afgewerkt is, keert de pomp automatisch terug naar het punt waar het ingestelde programma werd onderbroken.

Opmerking: als u de snelheden van het programma aanpast tijdens de werking van de pomp, zal de pomp voor de rest van de lopende cyclustijd met de aangepaste snelheid draaien, maar worden de aanpassingen niet opgeslagen. **Uitzondering: aanpassingen van snelheid en cyclustijd voor QUICK CLEAN worden altijd onmiddellijk opgeslagen.**

QuickClean

Door tijdens een Quick Clean de pijltoets "+" of "-" in te drukken, wordt de snelheid verhoogd of verlaagd. Door de toets **Quick Clean** opnieuw in te drukken binnen 10 seconden na het indrukken van de pijltoets "+" of "-", kunt u de cyclustijd van de Quick Clean-functie aanpassen met de pijltoets "+" en "-". Deze aanpassingen worden onmiddellijk opgeslagen en zijn de nieuwe standaardwaarden voor Quick Clean. Door de toets **Quick Clean** opnieuw in te drukken, worden de twee Quick Clean-instellingen overlopen. Als binnen 10 seconden geen andere toetsen meer worden ingedrukt, wordt de beweringsmodus afgesloten.

Wanneer Quick Clean draait en u het Quick Clean-proces wilt stopzetten vóór de cyclustijd verstreken is, kunt u de toets **Quick Clean** gedurende 3 seconden ingedrukt houden om terug te keren naar het punt waar het ingestelde programma onderbroken werd.²

CAUTION

Sommige snelheden kunnen in specifieke opstellingen resonantie en extra geluid met zich meebrengen.

Dit kan verholpen worden door simpelweg de snelheid licht te wijzigen.

CAUTION

Als de motor van de pomp op het elektrische net aangesloten is, dan kan hij starten wanneer u een van de volgende toetsen, die in deze paragraaf vermeld worden, indrukt. Bijzonder efficiënt ontwerp van de elektromechanische motor en de bediening

Door op de toets **Display** te drukken, worden de huidige parameters doorlopen.

- **Snelheid** — huidige pompsnelheid
- **Tijd** — huidige tijd van de dag
- **Cyclustijd** — resterende tijd voor de huidige pompsnelheid
- **Watt** — hoeveelheid watt die momenteel wordt verbruikt

Priming (Aanzuiging)

CAUTION

Deze pomp wordt verzonden met de vulmodus INGESCHAKELD. Tenzij de instellingen voor het vullen veranderd worden in het menu, **dient u er rekening mee te houden dat de pomp tot de vulsnelheid zal versnellen wanneer ze de eerste keer wordt ingeschakeld met de toets Start/Stop.**

Controleer vóór het inschakelen van de pomp of de volgende voorwaarden vervuld zijn.

1. Ontluchtingsklep filter geopend.
2. Kleppen geopend.
3. Retourleiding zwembad volledig geopend en niet verstopt.
4. Water in pompmand.
5. Houd voldoende afstand van de filter of andere drukvaten.

CAUTION

Laat de pomp NIET droog draaien. Als de pomp droog draait, zal de mechanische afdichting beschadigd worden, waardoor de pomp gaat lekken. In dat geval moet de beschadigde afdichting vervangen worden. Houd het water in uw zwembad ALTIJD op het correcte peil (tot halverwege de skimmeropening). Als het waterpeil onder de skimmeropening zakt, zal de pomp lucht aanzuigen via de skimmer waardoor geen water meer wordt aangezogen en de pomp droog gaat draaien. Dit heeft beschadiging van de afdichting tot gevolg. Als de pomp zo blijft draaien, kan dat tot drukverlies leiden. Dat kan de pompbehuizing, het schoepenrad en de dichting beschadigen en tot materiële schade en lichamelijke letsels leiden.

Het vullen gebeurt automatisch wanneer de VS2-pomp met variabele snelheid vanuit stilstand wordt gestart, uitgezonderd in de Quick Clean-modus. Het vullen begint standaard bij 2.850 rpm en duurt 5 minuten. Het scherm van de aandrijving geeft achtereenvolgens de volgende informatie weer: "Pr1 - Vulsnelheid, Pr1 -- Resterende tijd".

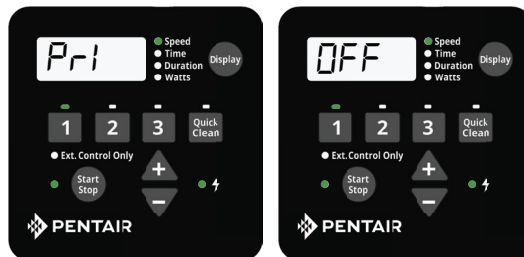
Zodra het vullen begonnen is, kan de snelheid op een waarde tussen 3.450 en 1.700 rpm worden ingesteld met de pijltoets "+" en "-". Als de snelheid op een waarde lager dan 1.700 rpm wordt ingesteld, is de vulmodus niet beschikbaar en zal de pomp onmiddellijk met de ingestelde snelheid beginnen te draaien.

Wanneer de vulmodus niet beschikbaar is en de pomp vanuit stilstand wordt gestart, toont het scherm gedurende 10 seconden de informatie "Pr1 - UIT" terwijl de pomp met de geprogrammeerde snelheid draait (Zie **Figuur 11**). Dit geeft de gebruiker de tijd om de vulmodus te activeren met de pijltoets "+". Als de gebruiker de vulmodus opnieuw activeert, daalt de pompsnelheid van de geprogrammeerde waarde tot 1.700 rpm. De gebruiker kan de vulsnelheid vanaf 1.700 rpm verhogen door op de pijltoets "+" te drukken. De afteltimer van 5 minuten begint te lopen wanneer de vulmodus wordt ingeschakeld.

De installateur moet de vulsnelheid voldoende hoog instellen om de pomp te vullen na een nieuwe installatie, maar niet zo hoog dat veel energie wordt verspild tijdens de eerste vulperiode van 5 minuten. De tijd die de pomp nodig heeft voor het vullen, kan veranderen afhankelijk van lokale omgevingsfactoren zoals de temperatuur van het water, de luchtdruk en het waterpeil van uw zwembad. Houd rekening met al die elementen wanneer u de vulsnelheid instelt. In de meeste gevallen hoeft de pomp echter niet met 2.850 rpm te draaien voor het vullen.

Test en controleer de gekozen vulsnelheden meer dan een keer en laat het water steeds uit het systeem lopen tussen de tests.

Opmerking: de pompzeefmand moet altijd tot de onderzijde van de ingang gevuld blijven om te voorkomen dat er lucht in het systeem komt.



Figuur 11: deactivering vulmodus.

QuickClean

De VS2-pomp met variabele snelheid is uitgerust met een functie Quick Clean die tijdelijk ingeschakeld kan worden om de pomp sneller of trager te doen draaien, altijd binnen het toerentalgebied van 300 tot 3.450 rpm. Wanneer de Quick Clean-tijd verstreken is, schakelt de pomp automatisch weer over op het ingestelde programma.

QuickClean programmeren:

1. Als de pomp draait, schakel ze dan uit door de **Start/Stop**-toets in te drukken.
2. Druk de toets **Quick Clean** in. De led boven de toets **Quick Clean** begint te knipperen en de led van de snelheidsparameter knippert tijdens het aanpassen. Zie **Figuur 12**.



Figuur 12: snelheid instellen voor Quick Clean

3. Gebruik de pijltoetsen "+" en "-" om de snelheid in rpm aan te passen voor Quick Clean.
4. Druk opnieuw op de toets "**Quick Clean**". De display schakelt dan om naar de cyclustijd van de Quick Clean. De led van de parameter "Cyclustijd" knippert tijdens het aanpassen. Zie **Figuur 13**.

Opmerking: de Quick Clean-functie heeft geen starttijd.



Figuur 13: cyclustijd instellen voor Quick Clean

5. Gebruik de pijltoetsen "+" en "-" om de cyclustijd in uren en minuten voor Quick Clean aan te passen.
6. Druk op de **Start/Stop**-toets en controleer of de led oplicht. De pomp is nu ingeschakeld en draait met de snelheid en de cyclustijd voor Quick Clean.

Opmerking: wanneer de ingestelde duur voor de Quick Clean verstreken is, hervat de pomp het dagschema (24 uur) op het punt in het dagschema waar de pomp op dat moment normaal zou zijn. De duur van de Quick Clean heeft geen invloed op de start- of stoptijden van het 24-uursprogramma. Als bijvoorbeeld een Quick Clean wordt uitgevoerd tijdens een periode die het laatste deel van SNELHEID 1 en het eerste deel van SNELHEID 2 overlapt, blijft de starttijd voor SNELHEID 3 ongewijzigd.

Opmerking: de toets Quick Clean gedurende meer dan drie (3) seconden indrukken/ingedrukt houden, annuleert de modus Quick Clean.

Opmerking: tijdens de modus Quick Clean start de pomp niet met de vulsequentie.

Opmerking: het is raadzaam de duur van de functie Quick Clean niet op 0 uur in te stellen. Als u de duur van de Quick Clean op 0 uur instelt, kunt u deze instelling niet wijzigen terwijl de motor draait. De motor moet dan uitgeschakeld worden om de Quick Clean-instellingen te wijzigen.

Toetsvergrendeling

CAUTION

Ook met vergrendelde toetsen zal de motor uitgeschakeld worden wanneer men de Start/Stop-toets indrukt. Hij kan dan pas opnieuw worden gestart wanneer men de toetsen ontgrendeld heeft. Indien de motor met vergrendelde toetsen werkt en door externe bedieningen wordt aangestuurd, kan hij alleen draaien wanneer de Start/Stop-led brandt.

De gebruikersinterface van de VS2-pomp met variabele snelheid heeft een functie "Toetsvergrendeling" om ongewenste veranderingen van de instellingen te voorkomen. Wanneer de toetsen vergrendeld zijn, reageert het scherm alleen op het indrukken van de toets **Display** om de weergegeven informatie te overlopen en op het indrukken van de toets **Start/Stop** om de motor te stoppen.

De toetsen worden vergrendeld door de toets "1" en de toets **Quick Clean** gelijktijdig in te drukken gedurende ten minste drie seconden. "Loc On" wordt weergegeven wanneer dat gelukt is.

De toetsen worden ontgrendeld door de toets "1" en de toets **Quick Clean** gelijktijdig in te drukken gedurende ten minste drie seconden. "Loc Off" wordt weergegeven wanneer dat gelukt is.

Opmerking: wanneer het systeem werkt en de toetsen vergrendeld zijn, kan de motor nog altijd gestopt worden door de **Start/Stop**-toets in te drukken. De motor kan echter pas opnieuw gestart worden wanneer de gebruiker de toetsen ontgrendelt.

Opnieuw instellen op fabriekswaarden

De aandrijving kan indien nodig opnieuw worden ingesteld op de fabriekswaarden. Door de pomp opnieuw op de fabriekswaarden in stellen, worden alle door de gebruiker geprogrammeerde instellingen gewist met uitzondering van de tijd van de dag. Onderzoek vóór u de pomp opnieuw op de fabriekswaarden instelt, of dit wel nodig is. De wijzigingen worden namelijk onmiddellijk doorgevoerd.

Om de pomp in te stellen op de fabriekswaarden:

1. Schakel de pomp indien nodig uit door de **Start/Stop**-toets in te drukken.
2. Noteer alle zelf ingevoerde instellingen met behulp van **Tabel 3**. U vindt deze instellingen door op de toetsen "1", "2", "3" en "Quick Clean" te drukken en alle schermen te overlopen. Noteer ook de snelheid voor het vullen.
3. Druk de toetsen "1", "2", "3", en "Quick Clean" gedurende 3 seconden in.
4. Als de instelling op de fabriekswaarden gelukt is, geeft het scherm het bericht "FACT rSt" weer. Zie **Figuur 14**.
5. Vergeet na het opnieuw instellen op de fabriekswaarden niet het programma en de vulsnelheid opnieuw in te stellen. De pomp kan pas opnieuw draaien wanneer ze met de **Start/Stop**-toets wordt ingeschakeld. Bij de eerste inschakeling draait de pomp volgens het ingestelde programma.

Opmerking: de fabriekswaarden kunnen niet opnieuw worden ingesteld wanneer de toetsen vergrendeld zijn.



Figuur 14: Opnieuw instellen op fabriekswaarden

	Snelheid (rpm)	Duur (Uren)	Starttijd (Tijdsturing)
SNELHEID 1			
SNELHEID 2			
SNELHEID 3			
QUICK CLEAN			
Vulsnelheid			

Tabel 3: Door de gebruiker ingestelde programma's



Open de voorfilter NIET als de VS2-pomp met variabele snelheid geen water aanzuigt of als de pomp gewerkt heeft zonder water in de voorfilter. Pompen die in deze omstandigheden draaien, kunnen stoomdruk opbouwen en kokend heet water bevatten. Toets STOP Om lichamelijke letsels te vermijden, moet u er zich van vergewissen dat de aanzuig- en afvoerkleppen geopend zijn en de voorfilter koud aanvoelt. Als dat het geval is, kunt u uiterst voorzichtig de pomp openen.



Om schade aan de pomp te voorkomen en voor de goede werking van het systeem, dient u de pompzeef en de manden van de skimmer regelmatig te reinigen.

Pompzeefmand

De pompzeefmand (of "zeefpot", "haar- en pluispot") bevindt zich vooraan het pomphuis. In de kamer is er een zeefmand die altijd vrij gehouden moet worden van bladeren en afval. Via het "doorkijkdeksel" controleert u de mand op bladeren en vuil.

Ongeacht de tijdsduur tussen de reinigingsbeurten van de filter is het onontbeerlijk om de mand minstens een keer per week visueel te controleren.

Reiniging van de pompzeefmand

1. Druk op de **Start/Stop**-toets om de pomp te stoppen en schakel de pomp uit met de automatische uitschakelaar.
2. Verlaag de druk in het systeem door het water te laten afkoelen.
3. Tik voorzichtig in tegenvijzerzin op de klem om de klem en het deksel te verwijderen.

Wanneer een programmering op maat nodig is, kunnen enkele pogingen nodig zijn om de instellingen te vinden die het best aan de omstandigheden aangepast zijn. Verwijder het vuil en spoel de mand. Vervang de mand als hij barsten vertoont.

In de meeste gevallen bestaat de beste strategie om het energieverbruik tot een minimum te beperken, erin om de langste werkingsduur met het laagste toerental te kiezen. Plaats de mand terug in het huis. Zorg ervoor dat de inkeping in de bodem van de mand uitgelijnd is met de nok op de bodem van het pomphuis.

6. Vul de pomppot en het pomphuis met water tot de inlaatpoort. Als een gebruiker een schema probeert te programmeren waarvan de gecombineerde duur van de drie stappen groter is dan 24 uur, behoudt de software van de pomp alleen de duur van de STEP die op dat moment geprogrammeerd wordt, en zet ze de tijdstellingen van de twee andere STEP's op nul. Reinig het deksel, de O-ring en het afdichtingsoppervlak van de pompbeker. **Opmerking:** het is belangrijk de O-ring van het deksel zuiver en goed gesmeerd te houden.

Een voorbeeld: als STEP 1 gelijk is aan acht (8) uur, STEP 2 aan negen (9) uur en STEP 3 aan acht (8) uur – gecombineerd is dat 25 uur - dan behoudt de pomp de instelling voor de STEP



DIT SYSTEEM WERKT ONDER HOGE DRUK.

Wanneer een onderdeel van het pompsysteem (bv. sluitring, pomp, filter, kleppen, enz.) onderhouden wordt, kan er lucht in het systeem komen en daar onder druk gezet worden. Lucht onder druk kan er toe leiden dat het deksel loskomt wat op zijn beurt ernstige letsels, dood of materiële schade kan veroorzaken. Om gevaar te vermijden, volgt u de instructies hierboven.



die op dat moment geprogrammeerd wordt en worden de twee andere op nul gezet. Plaats het deksel terug

op de pot. Controleer of de O-ring van het deksel goed geplaatst is. Breng de klem en het deksel op de pomp aan en draai ze rechtsom tot de hendels horizontaal staan zoals getoond.

9. Schakel met de stroomonderbreker op het huis de stroomvoeding in. Stel indien nodig de zwembadklok juist in.
10. Open de handbediende drukontlastklep boven op de filter.

11. Blijf van de filter weg. Start de pomp.
12. Ontlucht de filter tot er een constante waterstroom uit komt.

Sluit de handbediende drukontlastklep.

Overwintering

U dient te bepalen wanneer het zou kunnen vriezen. Als vriesweer verwacht wordt, neem dan de volgende maatregelen om vorstschade te voorkomen. **Vorstschade wordt niet door de garantie gedekt.**

Om vorstschade te voorkomen, volgt u de onderstaande procedures:

1. Druk op de **Start/Stop**-toets om de pomp te stoppen en schakel de pomp uit met de automatische uitschakelaar.
2. Laat het water uit het pomphuis af door de twee aflastoppen met kartelschijf aan de onderkant van het huis te verwijderen. Bewaar de stoppen in de pompmant.
3. Bedek de motor om hem tegen regen, sneeuw en ijs te beschermen.

Opmerking: wikkel de motor niet in plastic of in ander luchtdicht materiaal om hem voor de winter klaar te maken. De motor mag tijdens een storm, de winteropslag, enz. bedekt worden, maar niet tijdens de werking ervan of wanneer ze moeten gaan werken.

Opmerking: in streken met een gematigd klimaat, waar het af en toe kan vriezen, laat u uw filteruitrusting de hele nacht draaien om te voorkomen dat ze bevriest.

ONDERHOUD



WARNING Vóór u de VS2-pomp met variabele snelheid onderhoudt, moet u altijd de stroomvoeding van de pomp onderbreken met de stroomonderbreker en de communicatiekabel loskoppelen. Houdt u zich niet aan die regel, dan kan dat tot een elektrische schok leiden die onderhoudspersoneel, gebruikers of andere personen kan doden of ernstig verwonden. Lees alle onderhoudsinstructies vooraleer u aan de pomp gaat werken.



WARNING Open de voorfilter **NIET** als het voeden van de pomp niet gelukt is of als de pomp gewerkt heeft zonder water in de voorfilter. Pompen die in deze omstandigheden draaien, kunnen stoomdruk opbouwen en kokend heet water bevatten.

Toets STOPS Om lichamelijke letsels te vermijden, moet u er zich van vergewissen dat de aanzui- en afvoerkleppen geopend zijn en de voorfilter koud aanvoelt. Als dat het geval is, kunt u uiterst voorzichtig de pomp openen.



CAUTION Zorg ervoor geen krassen of putjes te maken op de gepolijste afdichtingsvlakken van de as; de afdichting zal lekken als de vlakken beschadigd worden. De gepolijste oppervlakken van de afdichting kunnen schade oplopen als ze niet voorzichtig behandeld worden.

Zorg dragen voor de elektrische motor

Tegen warmte beschermen

1. Zorg ervoor dat de motor zich in de schaduw bevindt.
2. Alle behuizingen moeten goed geventileerd zijn om oververhitting te voorkomen.
3. Zorg voor voldoende dwarse ventilatie.

Bescherm tegen vuil.

1. Bescherm tegen vreemde materialen.
2. Bewaar (of mors) geen chemicaliën op of in de buurt van de motor.
3. Vermijd te vegen of stof te doen opwarrelen in de buurt van de draaiende motor.
4. Als een motor beschadigd werd door vuil, kan de motorgarantie vervallen.
5. Reinig het deksel en de klem, de O-ring en het afdichtingsoppervlak van de pomppot.

Bescherm tegen vocht

1. Bescherm tegen spat- of sproeiwater.
2. Bescherm tegen extreme weersomstandigheden, bv. overstroming.
3. Als de inwendige onderdelen van de motor nat geworden zijn, laat ze dan drogen alvorens de motor opnieuw in gebruik te nemen. Laat een pomp niet werken die onder water heeft gestaan.
4. Als een motor beschadigd werd door water, kan de motorgarantie vervallen.

M

De asafdichting bestaat hoofdzakelijk uit twee onderdelen: een draaiend element en een keramische dichting.

De pomp vergt weinig of geen onderhoud, maar een asafdichting kan soms beschadigd raken en dient dan vervangen te worden.

Opmerking: de gepolijste oppervlakken van de afdichting kunnen schade oplopen als ze niet voorzichtig behandeld worden.

De pomp demontieren

Alle bewegende onderdelen bevinden zich in de achterste module van deze pomp.

Benodigde gereedschappen:

- 1/4" dop- of steeksleutel.
- 3/4" dop- of steeksleutel.
- 9/16" steeksleutel.
- 1/4" Allen-sleutel
- Platte schroevendraaier.

Volg de hierna beschreven stappen om de subsamenstelling van de motor te verwijderen voor herstelling.

1. Druk op de **Start/Stop**-toets om de pomp te stoppen en schakel de pomp uit met de automatische uitschakelaar op het hoofdpaneel.
2. Laat de pomp leeglopen door de aftapluggen te verwijderen.
3. Verwijder de 4 bouten waarmee het hoofdpomplichaam (voorfilter en pomphuis) op de achterste subsamenstelling is bevestigd.
4. Trek de twee pomphelven ZACHTJES uit elkaar, door de achterste subsamenstelling te verwijderen.
5. Verwijder de drie zeskantschroeven die de diffusor op zijn plaats houden.
6. Houd het schoepenrad stevig op zijn plaats en verwijder de borgbout van het schoepenrad met behulp van een platte schroevendraaier of sleutel. De schroef heeft linkse draad en wordt in wijzerzin losgedraaid.
7. Om het schoepenrad van de as los te draaien, steekt u een 1/4" Allen-sleutel in het midden van het ventilatordeksel van de motor en draait u het schoepenrad linksom.
8. Verwijder de vier bouten van de dichtingsplaat van de motor met behulp van een 9/16" moersleutel.
9. Schema's
10. Reinig de afdichtplaat, het huis van de afdichting en de motoras.



CAUTION **Laat de pomp NIET droog draaien.** Als de pomp droog draait, zal de mechanische afdichting beschadigd worden, waardoor de pomp gaat lekken. In dat geval moet de beschadigde afdichting vervangen worden. Zorg ervoor dat het water ALTIJD het juiste peil heeft. Als het waterpeil onder de aanzuihoogte zakt, zal de pomp lucht aanzuigen via de aanzuihoogte, waardoor geen water meer wordt aangezogen en de pomp droog gaat draaien. Dit heeft beschadiging van de afdichting tot gevolg. Als de pomp zo blijft draaien, kan dat tot drukverlies leiden. Dat kan de pompbehuizing, het schoepenwiel en de dichting beschadigen en tot materiële schade en lichamelijke letsels leiden.

De pomp weer in elkaar zetten

1. Wanneer u de nieuwe afdichting in de dichtingsplaat plaatst, gebruik dan zeepwater om de rubberhoes nat te maken vóór u ze in de dichtingsplaat drukt.
2. Breng de dichtingsplaat weer op de motor aan.
3. Maak de motoras nat met zeepwater vóór u het draaiende gedeelte van de afdichting op de motoras installeert en schuif dan de afdichting op de motoras. Zorg ervoor dat de koolstof zijde contact maakt met de keramische zijde van de vaste zitting. Druk de afdichting met uw duimen in de dichtingsplaat en veeg de keramische vlakken af met een schone doek.
4. Schroef het schoepenrad op de motoras (rechtsom om vast te draaien).
5. Breng de blokkeerschroef van het schoepenwiel aan (vastdraaien tegen de wijzers in).

Opmerking: steek een 1/4" zeskantige Allen-sleutel in de motoras via de opening in het achterste ventilatordeksel. Dit voorkomt dat de motoras gaat draaien. Draai de borgschroef van het schoepenrad erin.

6. Plaats de diffusor terug op de dichtingsplaat. Vergewis u ervan dat de kunststof pennen en de inzetstukken van de bevestigingsschroeven uitgelijnd zijn.
7. Smeer de pakking van de diffusor en de O-ring van de dichtingsplaat eerst in alvorens ze weer te assembleren.
8. Bevestig de subgroep van de motor op de behuizing van de voorfilter en pomp. Draai de bouten handvast tot ze alle 4 op hun plaats zitten.
9. Vul de pomp met water.
10. Plaats het pompdeksel en de plastic klem terug; zie volgende deel "Instructies voor het herstarten."
11. Vul het systeem opnieuw met water.

Instructies om de pomp opnieuw te starten

Als de VS2-pomp met variabele snelheid onder het waterniveau van het zwembad geïnstalleerd is, sluit u de retour- en zuigleidingen voor u de haar- en pluiszeef op de pomp open. Het is altijd een goed idee om uw geprogrammeerde instellingen nog eens na te kijken nadat u het programmeren beëindigd hebt.

De pomp vullen

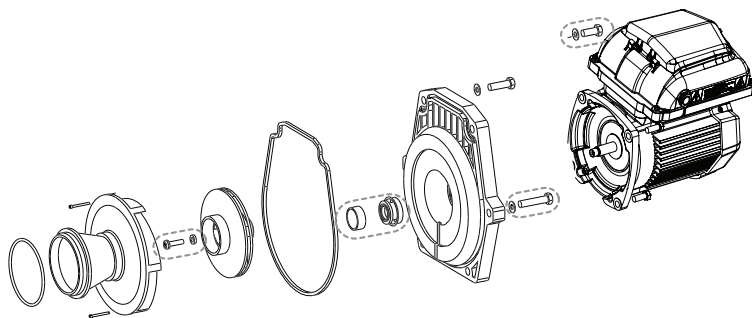
Tabel 2: schema op maat

Volg de hierna beschreven stappen om de pomp te vullen.

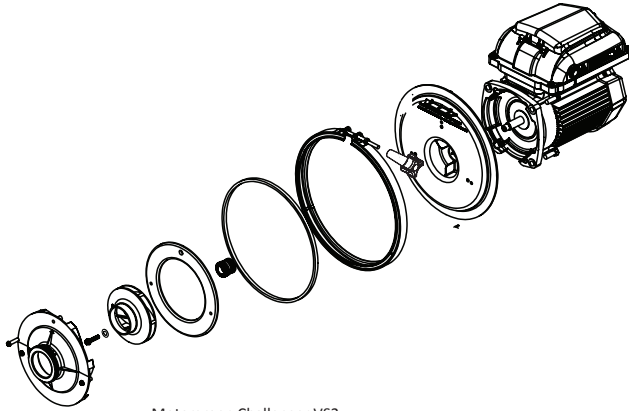
1. Verwijder de plastic klem van het pompdeksel. Verwijder het pompdeksel.
2. Vul de voorfilter van de pomp met water.
3. Plaats het pompdeksel en de plastic klem terug op de voorfilter. De pomp is nu klaar om gevuld te worden.
4. Open het ontluichtingsventiel op de filter en ga voldoende ver van de filter staan.
5. Zet de pomp onder spanning.
6. Druk op de **Start/Stop**-toets op het bedieningspaneel van de aandrijving. Als de pomp geprogrammeerd staat om te draaien, zal ze starten.

Opmerking: als de pomp niet geprogrammeerd staat om de starten, druk dan op een **Snelheidstoets** voor een manuele overname die de pomp zal inschakelen.

7. Sluit het ontluichtingsventiel wanneer er water uit komt. Het systeem moet nu luchtvrij zijn en water laten circuleren naar en van het zwembad.



Motorgroep Whisperflo VS2



Motorgroep Challenger VS2

PROBLEMEN OPLOSSEN

WARNING

Bij bepaalde symptomen moet een diagnose gesteld worden in nauwe interactie met of in de onmiddellijke nabijheid van componenten die onder spanning staan. Contact met elektriciteit kan de dood, lichamelijke letsels of materiële schade veroorzaken. Bij het oplossen van problemen moet de diagnose van elektrische storingen gesteld worden door een gediplomeerde professional.

Probleem	Mogelijke oorzaak	Maatregel
Pomp uitgevallen.	<p>Pomp zuigt niet aan- Luchtlek, te veel lucht</p> <p>Pomp wordt niet volledig met water gevuld- Onvoldoende water.</p> <p>De pakking van de pompzeef is verstopt.</p> <p>De pakking van pompzeef is beschadigd.</p>	<p>Controleer de aanzuigleidingen en de pakkingbussen van elke schuifafsluiter op de aanzuigzijde. Bevestig het deksel op de voorfilter en vergewis u ervan dat de pakking van het deksel correct is aangebracht. Controleer het waterpeil om u ervan te vergewissen dat de afschuimer geen lucht aanzuigt.</p> <p>Vergewis u ervan dat aanzuigleidingen, pomp, zeef en pompslakkenhuis met water gevuld zijn. Controleer of de klep op de aanzuigleiding werkt en open is (sommige systemen hebben geen kleppen) Controleer het waterpeil om u ervan te vergewissen dat water via de skimmer aangevoerd kan worden.</p> <p>Reinig voorfilter</p> <p>Breng de pakking weer aan.</p>

Problemen oplossen (vervolg.)

<p>Verminderde capaciteit en/of opvoerhoogte (stuwdruk).</p>	<p>Luchtbellen of lekken in de aanzuigleiding.</p> <p>Verstopt schoepenrad.</p> <p>Pompzeef verstopt.</p>	<p>Controleer de aanzuigleidingen en de pakkingbussen van elke schuifafsluiter op de aanzuigzijde. Bevestig het deksel op de voorfilter en vergewis u ervan dat de pakking van het deksel correct is aangebracht. Controleer het waterpeil om u ervan te vergewissen dat de afschuimer geen lucht aanzuigt.</p> <p>Zet de pomp onder spanning.</p> <p>Demontage (zie pagina 14 "De pomp demonteren").</p> <p>Verwijder vuil van het schoepenrad. Als het vuil niet kan worden verwijderd, volg dan de hierna beschreven stappen:</p> <ol style="list-style-type: none"> 1. Neem de bout met linkse draad en de O-ring weg. 2. Neem het schoepenwiel weg, maak het schoon en breng het opnieuw aan. <p>Montage (zie pagina 15 "De pomp opnieuw monteren").</p> <p>Reinig de vuilafscheider in de aanzuiging.</p>
<p>{1}Opmerking{1}: als er een stroomonderbreking is terwijl de pomp een schema van 24 uur volgt, dan hervat de pomp, zodra er weer stroom is, het schema vanaf STEP 1.</p>	<p>Geen netspanning.</p> <p>Pompas geblokkeerd</p> <p>Pompas beschadigd</p>	<ol style="list-style-type: none"> 1. Vervang de zekering, reset de GFCI-stroomonderbreker. 2. Draai de kabelaan sluitingen vast. <p>Controleer of u de pomp manueel kunt laten draaien, en verwijder de elementen die de pompas blokkeren.</p> <p>Vervang de pomp.</p>
<p>Pomp draait en valt dan stil.</p>	<p>STORING te hoge temperatuur</p> <p>STORING te hoge stroom</p>	<p>Controleer achterzijde van pomp op vuil en brokstukken. Gebruik perslucht om te reinigen.</p> <p>Pomp zal na één (1) minuut automatisch herstarten.</p>
<p>Pomp maakt lawaai.</p>	<p>Vuil in contact met ventilator.</p> <p>Vuil in zeefmand.</p> <p>Bevestigingen losgekomen.</p>	<p>Controleer achterzijde van pomp op vuil en brokstukken. Gebruik perslucht om te reinigen.</p> <p>Reinig zeefmand.</p> <p>Controleer of bevestigingsbouten van pomp en pomp zelf goed vastgedraaid zijn.</p>
<p>Probleem</p>	<p>Mogelijke oorzaak</p>	<p>Maatregel</p>
<p>Pomp draait zonder debiet.</p>	<p>Schoepenrad zit los.</p> <p>Luchtlek.</p> <p>Leidingen verstopt of vernauwd.</p>	<p>Controleer of pomp ronddraait door naar ventilator aan achterzijde van VS2-pomp met variabele snelheid te kijken. Zo ja, controleer of schoepenrad van pomp correct geïnstalleerd is.</p> <p>Controleer of leidingkoppelingen goed vastzitten.</p> <p>Controleer op verstopping in zeef of aanzuigleidingen.</p> <p>Controleer op verstopping in persleidingen, ook door gedeeltelijk gesloten klep of vuil in zwembadfilter.</p>

Fouten en alarmen

Wanneer een alarm geactiveerd wordt, geeft het lcd-scherm van de aandrijving de foutcode weer en stopt de VS2-pomp met variabele snelheid met draaien. Schakel de stroomtoevoer naar de pomp uit en wacht tot alle leds op het bedieningspaneel gedoofd zijn. Sluit de stroom daarna opnieuw aan. Als de fout hiermee niet verholpen is, zal een volledige foutopsporing noodzakelijk zijn. Gebruik de tabel met de beschrijving van de foutcodes om de foutopsporing aan te vatten.

Fault Code	Description
21	Communication link between HMI and motor control has been lost
1A	Power Module over current detected
17	Phase Current Offset out of range
1b	Phase Current Imbalance detected
0F	Absolute AC under voltage detected
02	Absolute Phase current limit exceeded
08	Absolute Diode Bridge temperature limit exceeded
04	Absolute Power Module temperature limit exceeded
06	Absolute Power Factor Correction (PFC) temperature limit exceeded
09	DC bus over voltage detected
0A	DC bus under voltage detected

21 – Geen communicatie meer tussen HMI en motorsturing: controleer de beklede kabel aan de achterzijde van het bedieningspaneel in het deksel aan de bovenzijde van de aandrijving. Controleer of de 5-pensstekker correct op het stopcontact is aangesloten en of de kabel niet beschadigd is.

1A – Te hoge stroom gedetecteerd in vermogensmodule: als deze fout meermaals wordt aangegeven, is er mogelijk een probleem met de draaiende onderdelen van de pomp. Demonteer de pomp en onderzoek of er een probleem is met het schoepenrad of de mechanische afdichting. Zie pagina 14 "De pomp demonteren" voor instructies over het demonteren van de pomp.

0F – Te lage absolute AC-spanning gedetecteerd: dit wijst erop dat de voedingsspanning onder het werkingsspectrum van 99 V is gedaald. Dit kan te wijten zijn aan normale spanningschommelingen. In dat geval zal het probleem zichzelf oplossen. Anders doet zich misschien een spanningsval voor ten gevolge van een verkeerde installatie of omdat de voedingsspanning niet correct is.

17, 1b, 02, 08, 04, 06, 09, 0A – Interne fouten: deze fouten kunnen zich voordoen afhankelijk van de werkingssomstandigheden en de door UL 60730 opgelegde veiligheidssoftware met zelfdiagnose. Als zij na meerdere herstarts nog gemeld worden, dient de aandrijving volledig te worden losgekoppeld en weer aangesloten. Sluit met de uitschakelaar de netvoeding af tot de leds op het bedieningspaneel uitdoven. Als een of meer van die fouten na het aansluiten van de stroom nog altijd weergegeven worden, moet de aandrijving mogelijk gecontroleerd worden.

Pompspecificaties

Nominale waarden

Ingangsspanning	115-230 Vrms
Ingangsstroom	13,2/12,0-11,5 A
Ingangsfrequentie	Eenfasig, 50 of 60 Hz
Stuurklemmen	18-30 V AC (24 V AC +/- 20%) of 9-30 V DC (12/24 V DC +/- 20%)
Maximale continue belasting	2,0 THP (Total Horse Power)
Toerentalbereik	300 - 3.450 rpm
Omgeving	NEMA Type 3
Omgevingsomstandigheden	
Temperatuur opslagruimte	-40 °C tot +85 °C
Temperatuur gebruiksomgeving	0 °C tot +50 °C
Relatieve vochtigheid	0 tot 95 % zonder condensatie

ADVERTENCIAS E INSTRUCCIONES DE SEGURIDAD IMPORTANTES



AVISO IMPORTANTE

Esta guía proporciona instrucciones de instalación y funcionamiento para la bomba de velocidad variable VS2. Si tiene alguna duda relacionada con este equipo, consulte a Pentair.

Atención instalador. Esta guía contiene información importante sobre la instalación, el funcionamiento y el uso seguro de este producto. Esta información debe entregarse al propietario u operario de este equipo después de su instalación o guardarse en un lugar cerca de la bomba.

Atención usuario. Este manual contiene información importante que le ayudará a utilizar y mantener este producto. Consérvelo para futuras consultas. Advertencias e instrucciones de seguridad para los sistemas Pentair Aquatic. Las bombas y otros productos relacionados están disponibles en:

<http://www.pentairpool.com/pool-owner/safety-warnings/> para obtener copias gratuitas de estas instrucciones.

LEA Y CUMPLA TODAS LAS INSTRUCCIONES GUARDE ESTAS INSTRUCCIONES



Este es el símbolo de alerta de seguridad. Cuando usted vea este símbolo en su sistema o en este manual, busque una de las siguientes palabras de señalización y esté alerta a las lesiones personales potenciales que puedan producirse.



Advierte sobre peligros que, si se ignoran, pueden provocar importantes daños en la propiedad, lesiones personales graves e incluso la muerte.



Advierte sobre peligros que, si se ignoran, pueden provocar importantes daños en la propiedad, lesiones personales graves e incluso la muerte.



Advierte sobre peligros que, si se ignoran, pueden provocar daños en la propiedad o lesiones personales leves.

NOTA Indica instrucciones especiales no relacionadas con peligros potenciales.

Lea atentamente y respete todas las instrucciones de seguridad especificadas en este manual y en los equipos. Mantenga en buen estado las etiquetas de seguridad y sustitúyalas si se pierden o resultan dañadas.

Durante la instalación y el uso de este equipo eléctrico, se deben respetar en todo momento las precauciones de seguridad básicas, incluidas las siguientes:



No permita que los niños usen este producto.



RIESGO DE DESCARGA ELÉCTRICA. Conectar únicamente a un circuito protegido por un interruptor de pérdida a tierra (GFCI). Contacte con un electricista cualificado si no está seguro de que el circuito esté protegido por un interruptor GFCI.



Esta unidad solo se debe conectar a un circuito protegido por un interruptor de pérdida a tierra (GFCI).

El instalador deberá proporcionarle dicho interruptor GFCI, el cual deberá comprobarse regularmente. Para comprobar el GFCI pulse el botón de prueba. El GFCI deberá interrumpir la corriente. Pulse el botón de reinicio. Se deberá restaurar la corriente. Si el GFCI falla al ser utilizado de esta forma, el GFCI es defectuoso. Si el GFCI interrumpe la corriente de la bomba sin haber pulsado el botón, se está produciendo una pérdida a tierra, lo que indica la posibilidad de una descarga eléctrica. No utilice esta bomba. Desconecte la bomba y haga que la repare un técnico de servicio cualificado antes de volver a utilizarla.



Esta bomba está prevista para ser utilizada en piscinas fijas, y también se puede utilizar en bañeras de hidromasaje y spas si así está especificado. No se debe utilizar en piscinas portátiles. Una piscina fija es aquella que está construida en o sobre el suelo, o dentro de un edificio, de manera que no se puede desmontar inmediatamente para su almacenamiento. Una piscina portátil es aquella que se puede desmontar para su almacenaje, siendo posible volver a montarla posteriormente.

Advertencias generales

- No abra nunca el interior de la carcasa del motor del pistón. Contiene una batería de condensadores con una carga de 230 V CA, incluso cuando la unidad no está conectada a la corriente.
- La bomba no es sumergible.
- La bomba tiene capacidad para caudales altos; tenga cuidado cuando vaya a instalarla y programarla limitando la potencia de la bomba con equipos antiguos o poco fiables.
- Las normativas para la conexión eléctrica son diferentes entre un estado y otro. Instale el equipo respetando el National Electrical Code actual y todas las normativas y ordenanzas locales aplicables.
- Antes de realizar las labores de mantenimiento de la bomba, DESACTIVE la bomba desconectando el circuito de corriente principal de la bomba.
- Este dispositivo no deberá ser utilizado por personas (incluidos niños) con discapacidad física, sensorial o mental, o falta de experiencia y conocimiento, a menos que estén siendo supervisados o hayan recibido instrucciones relativas al uso del dispositivo por parte de una persona responsable de su seguridad.
- Conforme a la normativa local, se requiere un cable de conexión adicional (mínimo recomendado de 4,5 mm²) en todos los componentes metálicos de la piscina, incluyendo la bomba para piscinas. Se requiere para la seguridad eléctrica, así como para reducir el riesgo de corrosión.



SI NO SE OBSERVAN TODAS LAS INSTRUCCIONES Y ADVERTENCIAS PODRÍAN PRODUCIRSE LESIONES CORPORALES GRAVES E INCLUSO LA MUERTE. ESTA BOMBA DEBE SER INSTALADA Y MANIPULADA ÚNICAMENTE POR UN PROFESIONAL DE SERVICIOS DE PISCINAS CUALIFICADO. LOS INSTALADORES, OPERADORES Y PROPIETARIOS DE PISCINAS DEBEN LEER ESTAS ADVERTENCIAS Y LAS INSTRUCCIONES DEL MANUAL DEL PROPIETARIO ANTES DE USAR ESTA BOMBA. ESTAS ADVERTENCIAS Y EL MANUAL DEL PROPIETARIO OBRARÁN SIEMPRE EN PODER DEL PROPIETARIO DE LA PISCINA.



PELIGRO DE ATRAPAMIENTO POR SUCCIÓN: MANTÉNGASE ALEJADO DEL DESAGÜE PRINCIPAL Y DE TODAS LAS TOMAS DE SUCCIÓN.



ESTA BOMBA PRODUCE GRANDES NIVELES DE SUCCIÓN Y CREA UN FUERTE VACÍO EN EL DESAGÜE PRINCIPAL SITUADO EN EL FONDO DEL CUERPO DE AGUA. DICHA SUCCIÓN ES TAN FUERTE QUE PUEDE ATRAPAR A ADULTOS O NIÑOS BAJO EL AGUA SI SE ACERCAN DEMASIADO AL DESAGÜE O A UNA CUBIERTA O REJILLA ROTA O SUELTA.



RIESGO DE DESCARGA ELÉCTRICA O ELECTROCUCIÓN: LAS BOMBAS NECESITAN ALTA TENSIÓN LO CUAL PUEDE PROVOCAR DESCARGAS ELÉCTRICAS, QUEMADURAS E INCLUSO LA MUERTE. ¡ANTES DE MANIPULAR LA BOMBA! Desconecte siempre la electricidad de la bomba de la piscina mediante el interruptor de circuito antes de acometer cualquier tarea de mantenimiento en la bomba. De no hacerlo podría causar la muerte o heridas graves al personal de mantenimiento, a los usuarios de la piscina o a otros, debido a una descarga eléctrica.



EL USO DE CUBIERTAS NO APROBADAS, O PERMITIR EL USO DE LA PISCINA CUANDO LAS CUBIERTAS ESTÁN AGRIETADAS O ROTAS, PUEDE PROVOCAR ATRAPAMIENTO DEL CUERPO, LAS EXTREMIDADES O EL CABELLO, DESTRIPIAMIENTO O MUERTE.

La succión de un desagüe o salida puede provocar:

Atrapamiento de extremidades: cuando una extremidad es succionada o introducida en una abertura dando como resultado el atrapamiento mecánico o la tumefacción. Esto puede suceder cuando la cubierta del desagüe no está presente o está rota, suelta, agrietada o mal asegurada.

Atrapamiento del pelo: cuando el cabello se enreda en la cubierta de un desagüe, atrapando bajo el agua al bañista. Esto puede suceder cuando el caudal de la cubierta es demasiado pequeño para la bomba o bombas.

ADVERTENCIAS E INSTRUCCIONES DE SEGURIDAD IMPORTANTES

Atrapamiento del cuerpo: cuando una parte del cuerpo queda sujeta a la cubierta del desagüe atrapado bajo el agua al bañista. Esto puede suceder cuando la cubierta del desagüe no está presente o está rota, o si el caudal de la cubierta no es lo suficientemente grande para la bomba o bombas.

Evisceración/destripamiento: cuando una persona se coloca sobre el desagüe de una piscina (especialmente una piscina infantil) y la succión afecta directamente a los intestinos, provocando un daño intestinal grave. Esto puede suceder cuando la cubierta del desagüe no está presente, está suelta, agrietada o mal asegurada.

Atrapamiento mecánico: cuando alguna joya, bañador, adornos del cabello, dedo de la mano o del pie o nudillo queda atrapado en la abertura de un desagüe o de una cubierta del desagüe. Esto puede suceder cuando la cubierta del desagüe no está presente o está suelta, agrietada o mal asegurada.

NOTA: TODOS LOS ELEMENTOS DE FONTANERÍA RELACIONADOS CON LA FUNCIÓN DE SUCCIÓN DEBEN INSTALARSE CONFORME A LAS NORMATIVAS NACIONALES O LOCALES VIGENTES.



PARA MINIMIZAR EL RIESGO DE LESIONES DEBIDO AL RIESGO DE ATRAPAMIENTO POR SUCCIÓN:

- Cada cubierta de succión debe instalarse a una distancia mínima de un metro (1 m) la una de otra, medido desde el punto más cercano al punto más cercano.
- Inspeccione con regularidad todas las cubiertas por si tuvieren grietas, daños o desgaste avanzado.
- Si una cubierta está floja, agrietada, dañada, rota o se ha perdido, sustitúyala por una cubierta homologada adecuada.
- Sustituya las cubiertas del desagüe siempre que sea necesario. Las cubiertas del desagüe se deterioran con el tiempo debido a la exposición a la luz solar y a las inclemencias del tiempo.
- Evite acercar el cabello, las extremidades o el cuerpo a las proximidades de una cubierta de aspiración o al desagüe de la piscina.
- Desactive las tomas de aspiración o reconfigúrelas como tomas de retorno.



La bomba requiere la instalación de un interruptor de parada de emergencia claramente etiquetado y situado en un lugar accesible y visible. Asegúrese de que

los usuarios sepan dónde se encuentra y cómo utilizarlo en caso de emergencia.

La ley estadounidense de seguridad en piscinas y spas (The Virginia Graeme Baker (VGB) Pool and Spa Safety Act) establece nuevos requisitos para los propietarios y operarios de piscinas y spas de uso público. Las piscinas o spas de uso público construidas a partir del 19 de diciembre de 2008 deberán utilizar:

(A) Un sistema de desagüe principal múltiple sin capacidad de aislamiento que disponga de cubiertas de salida de succión homologadas según las exigencias de la ASME/ANSI A112.19.8a Accesorios de succión para uso en piscinas, piscinas infantiles, spas y bañeras de hidromasaje; y además uno de los siguientes sistemas:

- Un sistema de seguridad de liberación de presión de vacío (SVRS) que cumpla con la norma ASME/ANSI A112.19.17 Sistemas de seguridad de liberación de presión de vacío (SVRS) fabricados para piscinas residenciales y de uso público, spas, bañeras de hidromasaje y sistemas de succión para piscinas infantiles, y/o con la Especificación ASTM F2387 para sistemas de seguridad de liberación de vacío (SVRS) para piscinas, spas y bañeras de hidromasaje.
- Un sistema de ventilación limitador de la succión debidamente diseñado y verificado.
- Un sistema de desconexión automático.

Las piscinas y spas de uso público construidos antes del 19 de diciembre de 2008 con una salida de succión sumergida única utilizarán una cubierta de salida de succión conforme a las exigencias de la norma ASME/ANSI A112.19.8a y, además, uno de los siguientes sistemas:

- Un SVRS conforme a las exigencias de la norma ASME/ANSI A112.19.17 y/o ASTM F2387.
- Un sistema de ventilación limitador de la succión debidamente diseñado y verificado.
- Un sistema de desconexión automático de la bomba.
- Salidas sumergidas deshabilitadas.
- Salidas de succión reconfiguradas en entradas de retorno.

Instalación de controles eléctricos en la base del equipo (interruptores ON/OFF, temporizadores y centro de carga automatizada)



Instale todos los controles eléctricos en la base del equipo, como interruptores de encendido/apagado, temporizadores, sistemas de control, etc. para permitir la manipulación (puesta en marcha, desconexión o mantenimiento) de cualquier bomba o filtro sin necesidad de que el usuario tenga que situar alguna parte de su cuerpo cerca o sobre la tapa del prefiltro, la tapa del filtro de la bomba o las tapas de las válvulas. Esta instalación permitirá al usuario mantenerse alejado del filtro y de la bomba durante la puesta en marcha, la desconexión o el mantenimiento del filtro del sistema.



PRESIÓN PELIGROSA: MANTÉNGASE ALEJADO DE LA BOMBA Y DEL FILTRO DURANTE LA PUESTA EN MARCHA

Los sistemas de circulación operan bajo alta presión. Cuando se realizan labores de mantenimiento en una pieza del sistema circulante (es decir, anillo de bloqueo, bomba, filtro, válvulas, etc.) puede entrar aire en el sistema y presurizarlo. El aire presurizado puede provocar que la cubierta de la

carcasa de la bomba, la tapa del filtro y las válvulas se separen violentamente provocando lesiones personales graves e incluso la muerte. La tapa del depósito del filtro y la cubierta del prefiltro deben asegurarse correctamente para impedir que se separen violentamente. Manténgase alejado de todos los equipos del sistema de distribución al encender o poner en marcha la bomba.

Antes de realizar las labores de mantenimiento de los equipos, anote la presión del filtro. Compruebe que los controles se encuentren colocados de tal forma que el sistema no pueda ponerse en marcha de forma involuntaria durante el mantenimiento. Desconecte la alimentación de la bomba. **IMPORTANTE:** coloque la válvula manual de despresurización de aire del filtro en posición abierta y espere a que se descargue toda la presión del sistema.

Antes de poner el sistema en marcha, abra completamente la válvula manual de despresurización de aire y coloque todas las válvulas del sistema en la posición "abierto" para que el agua fluya libremente desde el depósito y de retorno al mismo. Manténgase alejado de todos los equipos y ponga en marcha la bomba.

IMPORTANTE: no cierre la válvula manual de despresurización de aire del filtro hasta que no se haya descargado toda la presión de la válvula y aparezca un vapor de agua continuo. Observe el manómetro del filtro y compruebe que la presión no es superior a la que tenía antes del mantenimiento.

Información general de instalación

- Todos los trabajos deben ser ejecutados por el personal de servicio cualificado y cumplir todas las normativas nacionales, estatales y locales.
- La instalación debe proporcionar un buen drenaje del compartimento de los componentes eléctricos.
- Estas instrucciones contienen información para diferentes modelos de bomba, por lo que algunas instrucciones pueden no ser aplicables a un modelo específico. Todos los modelos están destinados a ser utilizados en aplicaciones para piscina. La bomba funcionará correctamente solo si está dimensionada adecuadamente para la aplicación específica e instalada adecuadamente.
- En la instalación de la piscina, se recomienda el montaje de una válvula de retención tras la bomba para evitar que el rodete se dañe.



Las bombas dimensionadas, instaladas inadecuadamente o utilizadas en aplicaciones no previstas para las mismas, pueden causar graves daños personales o la muerte. Estos riesgos pueden incluir, entre otros, descargas eléctricas, incendio, inundación, atrapamiento por succión, lesiones físicas graves o daños a la propiedad causados por un fallo estructural de la bomba o por otros componentes del sistema.



La bomba puede producir elevados niveles de succión en el interior del sistema de tuberías de succión. Estos elevados niveles

de succión pueden generar una situación de riesgo si una persona se acerca a las aberturas de succión. Una persona puede sufrir lesiones físicas graves debidas a este elevado nivel de vacío, o puede quedar atrapada y ahogarse. Es absolutamente impensable que las tuberías de aspiración sean instaladas siguiendo las normativas nacionales y locales más recientes para piscinas.

GUARDE ESTAS INSTRUCCIONES

DESCRIPCIÓN GENERAL DE LA BOMBA

Descripción general de la bomba

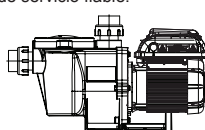
La bomba de velocidad variable VS2 es la elección perfecta para cualquier tipo de piscina y está específicamente diseñada para adaptarse a una amplia variedad de piscinas enterradas.

Sus piezas estructurales de grosor extra, un motor TEFC de alta resistencia y un sistema hidráulico de alto rendimiento, hacen que este diseño robusto y de eficacia demostrada sea perfecto para cualquier piscina, spa, juego de agua o fuente.

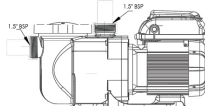
Todas las bombas de Pentair Aquatic Systems incorporan una innovadora ingeniería hidráulica que se ha ido mejorando a lo largo de 40 años. La bomba VS2 es compacta, resistente y fácil de mantener y le proporcionará años y años de servicio fiable.



Bomba Challenger VS2
P/N: CHL-VS2



Bomba Whisperflo-VS2
P/N: WFL-VS2



Bomba Superflo-VS2
P/N: SFL-VS2

Características generales

- Funcionamiento extremadamente silencioso
- Accesorios estandarizados (1,5" y 2") para facilitar la sustitución
- Tapa Cam and Ramp™ para facilitar las labores de limpieza y mantenimiento.
- Motor del sistema de enfriado totalmente cerrado (TEFC) de alto rendimiento para ofrecer una larga vida
- Cámara y voluta integral que reducen el ruido.
- Tapa transparente que permite una inspección sencilla del colador del prefiltro.
- Cebado automático para lograr un arranque rápido y sencillo.
- Con certificado de la CE/REACH
- Clasificación IPX6

Características del programador

- Interfaz de usuario sencilla
- Carcasa a prueba de lluvia y UV con certificado IPX6
- Hora integrada del programa de día
- Modo de cebado ajustable
- Modo de limpieza rápida programable
- Pantalla de alarma de diagnóstico y retención
- Corrección del factor de potencia activa
- Acepta un suministro de entrada de 99-253 V, 50/60

Hz

- Circuito de protección de limitación de alimentación automática
- Memoria 24 h con reloj para cortes eléctricos
- Modo de bloqueo del teclado
- Acepta entradas digitales de baja tensión desde controles externos

Descripción general del programador

La bomba de velocidad variable VS2 utiliza un motor de velocidad variable de gran calidad que proporciona una excelente flexibilidad de programación en cuanto a los ajustes de duración y velocidad del motor. La bomba está diseñada para funcionar a las revoluciones más bajas necesarias para mantener un entorno desinfectado, lo que a la larga minimiza el consumo de energía. El tamaño de la piscina, la presencia de recreación acuática adicional, los elementos químicos utilizados para mantener las condiciones sanitarias y los factores medioambientales locales afectarán a la programación necesaria para maximizar la conservación de energía.

La interfaz electrónica integrada controla los ajustes de

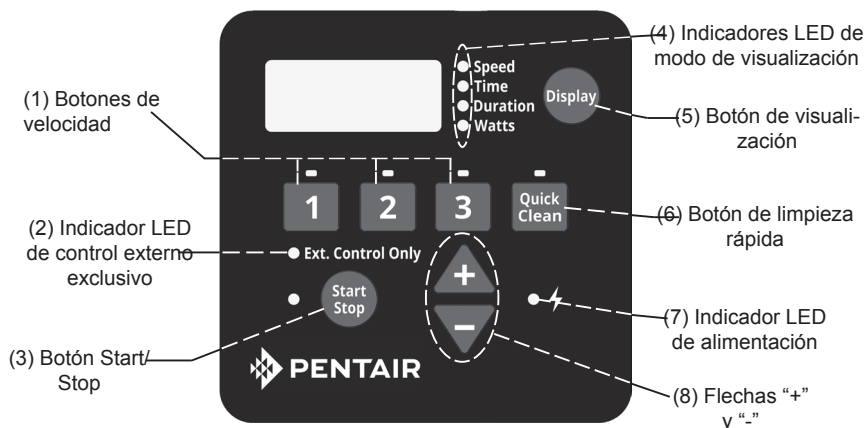


WARNING Esta bomba funciona con una tensión nominal de 115/208-230 V rms y SOLO debe utilizarse como bomba para piscinas. Conectar la bomba con una tensión incorrecta o usarla para cualquier otra aplicación podría causar daños en el equipo o lesiones personales.

velocidad así como la duración del funcionamiento. La bomba puede funcionar dentro de un rango de velocidades de entre 300 y 3450 rpm operando en una tensión comprendida entre 99-253 Vrms y 50 o 60 Hz de frecuencia de entrada. La personalización del programa puede requerir varios procesos de "ensayo y error" para determinar la mejor configuración según las condiciones. En la mayoría de los casos, el ajuste de la bomba a la velocidad más baja y la duración más larga es la mejor estrategia para minimizar el consumo de energía. Sin embargo, las condiciones pueden requerir el funcionamiento de la bomba a una velocidad mayor durante cierto tiempo cada día para mantener una filtración óptima y conseguir una desinfección correcta.

Nota: optimice la bomba para adaptarla a las condiciones particulares de la piscina. Las condiciones específicas, incluyendo el tamaño de la piscina, otros dispositivos, las funciones y los factores medioambientales, pueden afectar a la configuración de ajustes óptima.

DESCRIPCIÓN GENERAL DEL PANEL DE CONTROL



⚠ CAUTION

Si la bomba de velocidad variable VS2 está conectada a la corriente eléctrica, pulsar cualquiera de los botones especificados en la siguiente sección puede poner en marcha el motor. No seguir estas instrucciones puede provocar daños al personal o al equipo.

Navegación con el teclado

- Botones de velocidad:** se emplean para seleccionar la velocidad de funcionamiento deseada. El LED situado sobre los botones de velocidad se iluminará al seleccionar dicha velocidad o cuando se encuentre en funcionamiento. Un LED parpadeando indica que está activo un control externo en dicho canal de velocidad.
- Indicador LED de control externo exclusivo:** indica que la bomba está funcionando en modo de control externo exclusivo. Cuando se ilumine el LED, el programa se desactiva y la única entrada procede de los controles externos de baja tensión.
- Botón Start/Stop:** se utiliza para poner en funcionamiento y detener la bomba. Cuando la bomba esté parada y el LED no esté iluminado, la bomba no puede ponerse en funcionamiento desde ningún tipo de entrada.
- Indicadores LED de modo de visualización:** un LED iluminado indica la información mostrada en la pantalla en cualquier punto específico. Un LED parpadeando indica que el parámetro se encuentra en edición.
- Botón de visualización:** empleado para alternar entre los distintos modos de visualización disponibles. Este botón también se utiliza para ajustar el reloj 24 h y la resolución de la pantalla.
- Botón de limpieza rápida:** empleado para ejecutar una limpieza rápida con una duración programada y velocidad seleccionada. Al iluminarse el LED, el programa de limpieza rápida está activo.
- Indicador LED de alimentación:** un LED iluminado indica la presencia de suministro activo a la bomba.
- Flechas "+" y "-":** sirven para realizar ajustes en pantalla de los valores de la bomba. La flecha "+" aumenta el valor de un ajuste determinado; la flecha "-" lo reduce. Manteniendo presionada cada una de las flechas, aumentará o reducirá el valor con mayor rapidez.

La instalación de la bomba de velocidad variable VS2 debe realizarla un fontanero profesional. Consulte la sección **"Advertencias e instrucciones de seguridad de la bomba"** en las página ii-iii para obtener más información sobre la instalación y la seguridad.

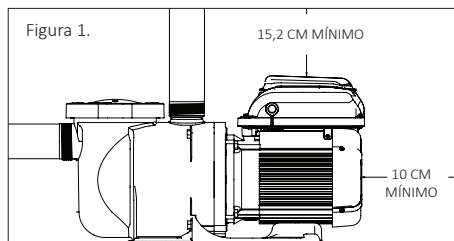
Ubicación

Nota: no instale esta bomba en un recinto exterior o bajo el borde de un jacuzzi o spa, a menos que se indique de ese modo.

Nota: asegúrese de que la bomba queda fijada mecánicamente a los apoyos del equipo.

Asegúrese de que la ubicación de la bomba cumple los siguientes requisitos:

1. Instale la bomba lo más cerca posible de la piscina o spa. Para reducir la pérdida por fricción y mejorar la eficacia, use tuberías de succión y de retorno cortas y directas.
2. Respete una distancia mínima de montaje de 1,5 m desde la pared interior de la piscina y spa.
3. Monte la bomba a una distancia mínima de 1 metro de la salida del calentador.
4. No instale la bomba a una altura superior a 3 metros por encima del nivel del agua.
5. Instale la bomba en una ubicación bien ventilada y protegida de humedad excesiva (por ejemplo, bajantes pluviales, aspersores, etc.).
6. Instale la bomba dejando un espacio mínimo de 10 cm en su parte trasera para facilitar la extracción del motor para someterlo a labores de mantenimiento y reparación. Consulte la **Figura 1**.



Tuberías

1. Para optimizar la instalación de fontanería de la piscina, recomendamos conductos de mayor tamaño.
2. El dimensionamiento del diámetro de los conductos del lado de succión de la bomba debe ser igual o superior al de retorno.
3. Las tuberías del lado de succión de la bomba deben ser lo más cortas que sea posible.
4. Para optimizar la instalación, Pentair recomienda montar una válvula en las líneas de succión y retorno de la bomba de forma que esta puede aislarse durante los trabajos de mantenimiento. Sin embargo, también recomendamos que cualquier válvula, codo o T instalada en la línea de succión no se encuentre a una distancia inferior a la parte frontal de la bomba a cinco (5) veces el diámetro de la línea de succión. Consulte la **Figura 2**.

Por ejemplo: un conducto de 2,5" requiere una distancia de 12,5" (31,8 cm) en línea recta frente a la entrada de succión de la bomba. Esta medida ayudará a la bomba a cebar más rápido y prolongar su vida útil.

Nota: NO instale codos de 90° directamente a la entrada o salida de la bomba.

Accesorios y válvulas

1. No instale codos de 90° directamente a la entrada de la bomba.
2. Los sistemas de succión sumergida, deben equiparse, por mantenimiento, con válvulas de compuerta en las tuberías de succión y descarga, pero la válvula de compuerta de succión no debe estar más cerca de cinco veces el diámetro del tubo de succión, como se ha descrito antes en esta sección.
3. Emplee una válvula de retención en la línea de descarga al utilizar esta bomba para cualquier aplicación que deba superar una altura significativa de bombeo tras la bomba.
4. Asegúrese de instalar válvulas de retención cuando la bomba esté instalada en paralelo con otra bomba. Esto ayudará a evitar la rotación inversa del rotor y el motor.

Requisitos eléctricos

- Instale el equipo respetando el código eléctrico nacional en vigor y todas las normativas y ordenanzas locales aplicables.
- En el cableado fijo debe incluirse un medio de desconexión conforme a la normativa sobre cableado.

WARNING

RIESGO DE DESCARGA ELÉCTRICA O ELECTROCUCIÓN. La bomba de velocidad variable debe instalarla un electricista o por el personal de servicio cualificado según lo especificado en el código eléctrico nacional en vigor y en todas las normativas y ordenanzas locales aplicables. Una instalación inadecuada crearía un riesgo eléctrico que podría causar la muerte o lesiones físicas graves a usuarios, instaladores o a otros debido a una descarga eléctrica, y también podría causar daños a la propiedad.

Desconecte siempre la electricidad de la bomba de la piscina mediante el interruptor de circuito antes de acometer cualquier tarea de mantenimiento en la bomba. De no hacerlo podría causar la muerte o heridas graves al personal de mantenimiento, a los usuarios de la piscina o a otros debido a una descarga eléctrica, además de daños en la propiedad. Lea todas las instrucciones de mantenimiento antes de intervenir en la bomba.

Descripción general del cableado eléctrico e instalación

WARNING

Para realizar tareas de instalación, mantenimiento o reparación de componentes eléctricos, se debe desconectar la alimentación eléctrica. Respete todos los avisos de advertencia del equipo, la bomba y todo lo especificado en estas instrucciones de instalación.

El cableado eléctrico de la bomba debe cumplir con los estándares y códigos eléctricos locales. Consulte siempre el código eléctrico nacional en vigor. La instalación de la bomba debe realizarla un electricista profesional.

La bomba acepta un suministro eléctrico de entrada monofásico de 99-253 V y 50 o 60Hz. Las conexiones del bloque de terminales tienen capacidad para gestionar cableado trenzado o sólido de hasta 10 AWG. También existen conectores rápidos de encendido rápido, sin embargo, compruebe los códigos eléctricos locales para obtener el método de conexión adecuado. Las conexiones deben unirse permanentemente al terminal de puesta a tierra (consulte la **Figura 3**) en el compartimento del cableado eléctrico de campo cumpliendo el código eléctrico local. El programador del motor regulará automáticamente la velocidad de la bomba cuando funcione con tensión más baja para mantener la corriente por debajo de 13,2 A. No es preciso cambio de cableado eléctrico para utilizar la bomba con una alimentación nominal de 110 V; se emplean los mismos terminales que con el cableado de alta tensión.

La unidad funcionará en sistemas eléctricos de dos fases línea-línea-tierra así como en sistema línea-neutro-tierra. Esta bomba debe estar permanentemente conectada a un disyuntor según las especificaciones del código eléctrico local.

1. Asegúrese de que todos los interruptores y conectores eléctricos estén desconectados antes de instalar los cables para el motor. Espere siempre cinco (5) minutos tras desconectar el suministro de la bomba antes de abrir o realizar trabajos de servicio en el motor.
2. Dimensione el cableado eléctrico de la bomba respetando el código eléctrico nacional en vigor y todas las normativas y ordenanzas locales aplicables. En caso de duda, dimensione por encima (empleando un cable de diámetro mayor). Asegúrese de que la tensión del cableado se encuentre dentro del rango operativo.
3. Asegúrese de que todas las conexiones eléctricas estén limpias y firmes.
4. Corte los cables con la longitud adecuada para que no se superpongan ni se toquen cuando estén conectados a la placa de terminales.
5. Conecte a tierra el motor de forma permanente utilizando el tornillo de puesta a tierra que se encuentra en la parte trasera interior de la interfaz del programador (consulte la **figura 3**). Use el tamaño y el tipo de cable correcto, según especificado en el código eléctrico nacional en vigor. Asegúrese que el cable de masa esté conectado a una instalación eléctrica adecuada para masa.

6. Una el motor a todas las piezas metálicas de la estructura de la piscina y a todo el equipo eléctrico, conductos y tuberías de metal en un radio de 1,5 m del interior de las paredes de la piscina, spa o jacuzzi respetando del código eléctrico nacional en vigor. UL requiere el uso de un conductor de puesta a tierra de cobre sólido no inferior a 8 AWG. Consulte la **Figura 3**.

Nota: En Canadá, es obligatorio el uso de un conductor de puesta a tierra de cobre sólido de 6 AWG o superior.

7. La bomba debe estar conectada permanentemente a un interruptor de circuito, a un temporizador bipolar o a un relé bipolar. Si la corriente CA la proporciona un interruptor de circuito GFCI, use un interruptor de circuito dedicado que no tenga ninguna otra carga eléctrica.
8. Conecte la bomba de forma permanente al circuito. Asegúrese de que no haya otras luces o aparatos conectados al mismo circuito.

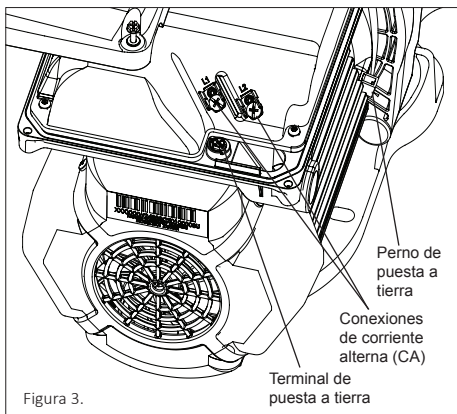


Figura 3.

Al compartimento del cableado eléctrico de campo dispone de un puerto de conducto roscado de 1/2" NPT para accesorios firmes de líquido.

El perno de puesta a tierra debe emplearse para conectar el bastidor del motor al apoyo del equipo.

Control con entradas digitales y control externo

El usuario puede utilizar la bomba de velocidad variable VS2 con controles externos de automatización o Pentair® ControlPro™, permitiendo el control de las cuatro velocidades programadas de forma remota. La bomba debe contar con un conector sellado que pueda emplearse con el cable de datos Pentair (opcional, ref. 353129Z) para utilizar las velocidades mediante señales de entrada digital. Cuando exista presencia de señal con tensión baja externa en la línea de entrada digital de velocidad, la bomba funcionará a la velocidad programada para la entrada digital. La señal de +5 V suministrada es la entrada recomendada empleada para entradas digitales de velocidad y control externo.

Conexión a controles externos

Uso de la señal de baja tensión suministrada para control digital

La VS2 ofrece una señal de salida de baja tensión que puede emplearse para activar sus propias entradas digitales. Esta señal debe conmutarse a través del sistema del control externo para utilizar la velocidad a la que está conectada según la **Figura 4**. Podría tratarse de un interruptor o relé de automatización en otra pieza del equipo. Esta característica podría resultar útil para asegurarse de que la bomba está ejecutando cierto programa cuando es precisa una velocidad específica para realizar una tarea.

El cable incluido con el cable de datos Pentair (opcional, ref. 353129Z) deberá cortarse a una longitud determinada por la instalación. No deje un exceso de cable alrededor de la instalación; debiendo sujetarse con algún medio rígido si no se emplean conductos. En uno de los extremos del cable hay una conexión moldeada impermeable personalizada que se enchufa en la conexión del panel en el lado del motor. El extremo opuesto cuenta con 6 cables definidos en la **Tabla 1** que aparece a continuación. Al utilizar la señal de +5 V suministrada por el motor, las velocidades deben cablearse según describe la **Figura 4**.

Cuando exista presencia de señal con tensión baja en la línea de entrada digital de velocidad, la bomba funcionará a la velocidad programada para dicha activación. La señal de +5 V suministrada a través del cable (rojo) es la entrada recomendada para las entradas digitales de velocidad. Consulte la **Figura 4**.

Nota: cualquier relé puede asociarse a cualquier entrada digital. La **Figura 4** muestra una de las opciones de cableado potencial disponibles para el instalador, que permite instalar controles externos del modo que mejor se adapte a sus necesidades.

Nota: ¡esta señal de +5 V (cable rojo) es de salida de la unidad solo y nunca debe cablearse a otra fuente de alimentación!

Al activarse una entrada digital de velocidad, el LED situado sobre el botón **Speed** comenzará a parpadear y la pantalla alternará entre el parámetro de visualización y "EC" indicando que el control externo se encuentra en funcionamiento. La bomba funcionará a esta velocidad mientras esté presente el activador de la entrada digital. Esta situación anulará el programa o cualquier otra entrada de usuario en materia de selección de velocidad a través del teclado. El botón **Display** continuará siendo funcional junto con el botón **Start/Stop**. Una vez retirado el activador de la entrada digital de todo el cableado de entrada digital de velocidad, la bomba volverá su programa.

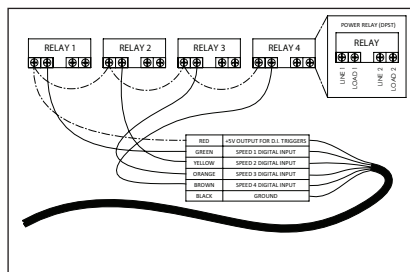


Figura 4:

Diagrama de cableado eléctrico del kit de control externo

Definición	Rango de señal	Color del cable
Salida de +5 V para entradas digitales	0 - 20 mA	Rojo
Velocidad 1, entrada digital	0, 5 - 30 V CA/CC	Verde
Velocidad 2, entrada digital	0, 5 - 30 V CA/CC	Amarillo
Velocidad 3, entrada digital	0, 5 - 30 V CA/CC	Naranja
Limpieza rápida, entrada digital	0, 5 - 30 V CA/CC	Marrón
Conexión a tierra común	0V	Negro

Tabla 1:

Gráfico de cableado de entrada del sistema de control de automatización

Uso de una señal de baja tensión suministrada de forma externa para control externo

Al emplear una señal de tensión baja suministrada de forma externa como el activador de entrada digital, el cable debe conectarse del modo que ilustra la **Figura 5**. La entrada de tensión baja debe encontrarse dentro del rango de 5-30 V de CA o CC. En tal caso, no se utilizará el suministro de +5 V rojo procedente del control del motor.

Nota: ¡esta señal de +5 V (cable rojo) es de salida de la unidad solo y nunca debe cablearse a otra fuente tensión!

La señal de tensión baja externa puede regularse mediante interruptores o relés para activar la entrada digital deseada. Si hay activa más de una entrada digital al mismo tiempo, se resolverá según prioridad.

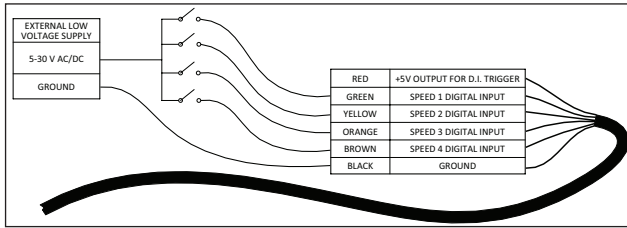


Figura 5: Diagrama de cableado del suministro eléctrico de baja tensión

Nota: si la bomba se ha detenido mediante el botón Start/Stop, solo volverá a funcionar presionando el mismo botón. Si el LED de Start/Stop está iluminado, indica que la bomba está encendida y que ejecutará las entradas digitales.

Nota: si hay varios activadores de tensión baja presentes, se resolverán por prioridad: Limpieza rápida, Velocidad 3, Velocidad 2, y a continuación, Velocidad 1.

Conectando al Pentair® ControlPro™

Si buscamos una instalación controlada externamente, Pentair® ControlPro™ puede ofrecer una solución fácil para configurar la piscina completa. La selección de velocidad la conmutará el sistema ControlPro™, a través de la interfaz. Para obtener más información, visite www.pentairpooleurope.com. La conexión debe realizarse como muestra la Figura 6. La entrada de tensión baja correcta procede del sistema ControlPro™, por lo tanto, debe conectarse al contactor. A conectar la bomba VS2 al ControlPro™, compruebe siempre el manual ControlPro en www.pentairpooleurope.com.

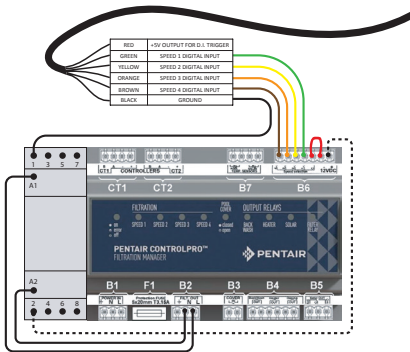


Figura 6: Diagrama de cableado ControlPro

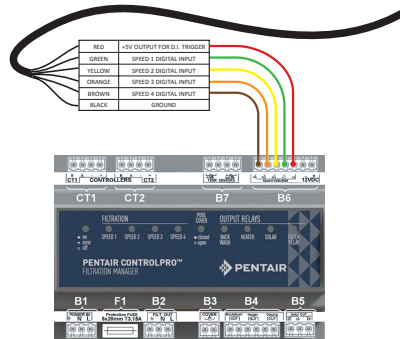


Figura 6: Diagrama de cableado ControlPro

Modo control externo exclusivo

El modo control externo exclusivo solo permitirá que la bomba funcione a partir de controles/entradas externas. Con este modo activo, el programa de bombeo programado no se desactiva y no se aceptarán las solicitudes de velocidad del usuario desde el teclado. Si la bomba se detiene, un usuario puede seguir programando la velocidad para los cuatro botones de velocidad.

Para activar el modo de control externo exclusivo:

1. Detenga la bomba presionando el botón **Start/Stop**.
2. Active el modo de control externo exclusivo manteniendo presionado el botón **Start/Stop** durante 3 segundos.
3. Si todo es correcto, se iluminará el LED situado junto al control externo exclusivo. Consulte la **Figura 7**.
4. El botón **Start/Stop** debe presionarse de nuevo para poder volver a poner la bomba en funcionamiento.



Figura 7: Activación del modo de control externo exclusivo

Para desactivar el modo de control externo exclusivo:

1. Detenga la bomba presionando el botón **Start/Stop**.
2. Desactive el modo de control externo exclusivo manteniendo presionado el botón **Start/Stop** durante 3 segundos.
3. Si todo es correcto, se iluminará el LED de control externo exclusivo. Consulte la **Figura 7**.
4. El botón **Start/Stop** debe presionarse de nuevo para poder volver a poner la bomba en funcionamiento.

FUNCIONAMIENTO DE LA BOMBA

Ajuste del reloj

Al conectar la bomba por primera vez, el reloj parpadeará indicando que aún no se ha puesto en hora. Cualquier ajuste de programación diario realizado por el usuario se basará en este ajuste de hora, por lo que será preciso poner el reloj en hora primero.

Para poner el reloj en hora:

1. Mantenga presionado el botón **Display** durante 3 segundos.
2. Utilice las flechas “+” y “-” para escoger entre formato de 12 o 24 horas.
3. Presione **Display** para avanzar en el menú de ajuste horario
4. Utilice las flechas “+” y “-” para cambiar la hora. En el formato horario de 12 horas, aparecerá en la esquina inferior derecha el indicativo AM/PM.
5. Presione **Display** para avanzar.
6. Utilice las flechas “+” y “-” para ajustar la intensidad de la retroiluminación de la pantalla.
7. Presione **Display** para salir del menú de ajuste horario. El reloj ya estará configurado.

Durante un corte eléctrico, la unidad retendrá el ajuste horario en memoria durante 24 horas. Si el corte de suministro dura más de 24 horas, el sistema deberá ponerse de nuevo en hora. Si la unidad ha perdido la hora establecida por el usuario, el reloj parpadeará continuamente hasta que vuelva a ponerse en hora.

Una vez puesto en hora, el reloj dejará de parpadear.

Nota: al restablecerse la alimentación a la bomba tras un corte eléctrico prolongado (+ de 24 horas), el reloj se ajustará automáticamente a la hora de encendido Speed 1, parpadeará y avanzará. La bomba también ejecutará el programa asociado desde dicha hora de inicio.

Uso del programa predeterminado

El programa predeterminado está diseñado para proporcionar suficiente producción diaria para dar servicio a una piscina estándar. Consulte la **Tabla 2** para obtener el programa predeterminado.

	Duración (Horas)	Velocidad (rpm)
VELOCIDAD 1	2	3000
VELOCIDAD 2	10	1400
VELOCIDAD 3	2	2200

Tabla 2: Programa predeterminado.

La VELOCIDAD 1 se ajusta para comenzar a las 8:00 am y hacer funcionar la bomba a 3000 rpm durante 2 horas. Al finalizar la VELOCIDAD 1, la bomba comienza a funcionar de inmediato en la VELOCIDAD 2 predeterminada. La VELOCIDAD 2 viene predeterminada de fábrica en 1400 rpm y durará 10 horas. Al completarse la VELOCIDAD 2, el sistema pondrá la bomba a funcionar en VELOCIDAD 3 a 2200 rpm durante dos horas.

Tras 14 horas de funcionamiento y tras completar la VELOCIDAD 3, la bomba pasará a un estado estacionario/pausado durante las siguientes 10 horas. La bomba volverá a arrancar a las 8:00 am a la mañana siguiente y realizará de nuevo el ciclo del programa predeterminado. La bomba continuará funcionando de esta forma hasta que el usuario introduzca un programa personalizado en la unidad.

Nota: debe presionarse de nuevo el botón **Start/Stop** y encenderse el LED para que la bomba se vuelva a poner en funcionamiento.

Programas personalizados

Para personalizar el programa de funcionamiento de su bomba de velocidad variable VS2, debe estar parada. Asegúrese de que el LED del botón **Start/Stop** no esté iluminado.

Introducción de un programa personalizado:

Nota: al programar, parpadeará el LED situado junto al parámetro ("Speed", "Time" y "Duration") que esté ajustando.

1. Detenga la bomba (si se encuentra en funcionamiento), presionando el botón **Start/Stop**.
2. Presione el botón "1". El LED situado sobre la VELOCIDAD seleccionada comenzará a parpadear y el LED del parámetro "Speed" parpadeará durante el proceso de edición. Consulte la **Figura 8**.



Figura 8: Ajuste de velocidad

3. Utilice las flechas "+" y "-" para ajustar la velocidad en rpm o VELOCIDAD 1.

Nota: la velocidad se sube o baja en incrementos de 10 rpm.

4. Presione de nuevo el botón "1" y la pantalla cambiará a la hora de inicio de VELOCIDAD 1. El LED del parámetro "Time" comenzará a parpadear. Consulte la **Figura 9**.



Figura 9: Ajuste de la hora de inicio

5. Utilice las flechas "+" y "-" para ajustar la hora de inicio diaria para la VELOCIDAD 1.
6. Presione de nuevo el botón "1" y la pantalla cambiará a la duración de la VELOCIDAD 1. El LED del parámetro "Duration" comenzará a parpadear. Consulte la **Figura 10**.



Figura 10: Ajuste de la duración

7. Emplee las flechas "+" y "-" para ajustar la duración de la VELOCIDAD 1 en horas y minutos.

Nota: el parámetro de duración se ajusta en incrementos de 15 minutos.

8. Presionando el botón "1" continuará el ciclo pasando por estos parámetros, pero los cambios se almacenarán de inmediato a medida que se ajustan.
9. Presione el botón "2". El LED situado sobre la VELOCIDAD 2 comenzará a parpadear y el LED del parámetro correspondiente parpadeará durante el proceso de edición.
10. Utilice las flechas "+" y "-" para ajustar la velocidad en rpm o VELOCIDAD 2.
11. Presione de nuevo el botón "2" y la pantalla cambiará a la duración de la VELOCIDAD 2.

Nota: las VELOCIDADES 2 y 3 no cuentan con una hora de inicio, ya que comienzan inmediatamente después de finalizar la VELOCIDAD anterior.

12. Emplee las flechas "+" y "-" para ajustar la duración de la VELOCIDAD 2 en horas y minutos.
13. Repita los pasos 9-12 para programar la VELOCIDAD 3 y la LIMPIEZA RÁPIDA.

Nota: recuerde que la duración permitida para la VELOCIDAD 3 estará limitada al tiempo restante en un día de 24 horas. Cualquier hora del día de 24 horas no programada en las VELOCIDADES 1-3, la bomba permanecerá parada.

[VELOCIDAD 1 + VELOCIDAD 2 + VELOCIDAD 3 ≤ 24 horas]

14. Presione el botón **Start/Stop** y asegúrese de que el LED esté encendido. La bomba se encuentra ahora en funcionamiento y ejecutará el programa personalizado introducido por el usuario.

Nota: si la bomba se ha detenido mediante el botón **Start/Stop**, solo volverá a funcionar presionando el mismo botón. Si el LED de **Start/Stop** está iluminado, la bomba está encendida y ejecutará el programa introducido.

Nota: si un usuario desea que durante un periodo de tiempo del día, la bomba esté apagada, puede programar cualquier VELOCIDAD en 0 rpm. Esto hará que la bomba permanezca parada/pausada durante la duración de dicha VELOCIDAD.

Prioridades de velocidad (sin control externo)

En los ajustes de duración, las VELOCIDADES están priorizadas del siguiente modo: VELOCIDAD 1-> VELOCIDAD 2-> VELOCIDAD 3. La VELOCIDAD 1 tiene la mayor prioridad; la VELOCIDAD 3 la menor.

La unidad no permitirá que un usuario introduzca un programa de más de 24 horas. Al programarse la 24ª hora de duración, cogerá tiempo de las velocidades con menor prioridad para añadirles a la VELOCIDAD que está en proceso de ajuste.

Por ejemplo:

Programa de inicio (antes del ajuste)

Duración de la VELOCIDAD 1 = 20 horas

Duración de la VELOCIDAD 2 = 2 horas

Duración de la VELOCIDAD 3 = 2 horas

Si el usuario programa la VELOCIDAD 1 para que se ejecute 23 horas, la VELOCIDAD 2 (velocidad con menor prioridad) se ajustará automáticamente a 1 hora de duración y la VELOCIDAD 3 (la velocidad con menor prioridad) se ajustará a una duración de 0 horas.

Programa de finalización

Duración de la VELOCIDAD 1 = 23 horas

Duración de la VELOCIDAD 2 = 1 hora

Duración de la VELOCIDAD 3 = 0 horas

Operando la bomba mientras se encuentra en funcionamiento

CAUTION

Si el motor de la bomba está conectado a la alimentación eléctrica, pulsar cualquiera de los botones especificados en la siguiente sección puede producir la puesta en marcha del motor. No seguir estas instrucciones puede provocar daños al personal o al equipo.

Presionar el botón **Display** realizará un ciclo a través de los parámetros actuales.

- **Velocidad** — velocidad de funcionamiento actual
- **Hora** — hora actual del día
- **Duración** — cantidad de tiempo restante a la velocidad de funcionamiento actual
- **Vatios** — cantidad de vatios que se están consumiendo actualmente

Presionar cualquiera de los botones de velocidad ("**1**", "**2**", "**3**", "**Quick Clean**") con la bomba en funcionamiento, actuará como cancelación temporal. Ejecutará la velocidad y duración programadas para dicho botón. Una vez completado, el sistema regresará de forma predeterminado al punto adecuado del programa introducido.

Nota: si ajusta las velocidades del programa con la bomba en funcionamiento, se ejecutará la velocidad ajustada para el resto de la duración actual, pero no se guardarán los ajustes.

Excepción: Los ajustes de velocidad y duración para la limpieza rápida se guardarán siempre de forma inmediata

Limpieza rápida

Con la limpieza rápida en proceso, presionar las flechas "**+**" o "**-**" cambiará la velocidad en consecuencia. Presionar el botón **Quick Clean** de nuevo en un plazo de 10 segundos tras presionar las flechas "**+**" o "**-**", le permitirá ajustar la duración del proceso de limpieza rápida mediante las flechas "**+**" y "**-**". Estos cambios se guardarán de inmediato, pasando a ser los valores predeterminados para el proceso de limpieza rápida. Presionando de nuevo el botón **Quick Clean** realizará el ciclo a través de los dos ajustes del proceso. La bomba saldrá del modo de edición si el usuario no presiona más botones en un plazo de 10 segundos.

Si el proceso de Limpieza rápida está ejecutándose y desea detenerlo antes de que finalice la duración especificada, puede mantener presionado el botón **Quick Clean** durante 3 segundos y la bomba regresará al punto adecuado del programa.

CAUTION

Algunas velocidades pueden causar ruido o resonancias en el motor según el tipo de instalación. Esto puede resolverse modificando levemente la velocidad de la bomba.

Cebado

⚠ CAUTION

La bomba se envía con el modo de Cebado ACTIVADO. A menos que el usuario modifique los ajustes de cebado en el menú, **tenga presente que la bomba acelerará hasta velocidad de cebado al encenderla por primera vez y presionar el botón Start/Stop.**

Antes de ENCENDER la bomba, asegúrese de que se cumplen las siguientes condiciones:

1. Abra la válvula de alivio de aire del filtro.
2. Abra las válvulas.
3. El retorno de la piscina está completamente abierto y libre de cualquier obstrucción.
4. Agua en el colador de la bomba.
5. Manténgase alejado del filtro o de otros vasos presurizados.

⚠ CAUTION

NO ponga en marcha la bomba en seco. Si la bomba funciona en seco, la junta mecánica de estanqueidad quedará dañada y la bomba tendrá pérdidas de agua. Si esto ocurre, debe sustituirse la junta de estanqueidad dañada. Mantenga SIEMPRE el nivel de agua adecuado en su piscina (hacia la mitad de la abertura del desespumador). Si el nivel de agua cae por debajo de la abertura del desespumador, la bomba atraerá agua hacia el desespumador, perdiéndose el cebado y provocando el funcionamiento de la bomba en seco, lo que dañará la junta de estanqueidad. Un funcionamiento continuado en estas condiciones podría provocar pérdida de presión y causar daños a la caja, al rotor y a la junta de la bomba, además de lesiones personales.

El proceso de cebado se ejecutará automáticamente al encender la bomba de velocidad variable VS2 desde su parada, excepto cuando esté funcionando en modo de limpieza rápida. El cebado se realizará a 2850 rpm de forma predeterminada y durará 5 minutos. La pantalla de la unidad mostrará y realizará el ciclo pasando por los siguientes elementos "PrI - Priming Speed, PrI - Remaining Time" (Velocidad de cebado, Tiempo restante).

Una vez comience el cebado, la velocidad puede ajustarse entre 3450 y 1700 rpm mediante las flechas "+" y "-". Si se ajusta por debajo de las 1700 rpm, el modo de cebado se desactivará y la bomba comenzará inmediatamente a funcionar a la velocidad programada.

Al desactivar el cebado y arrancar la bomba desde su parada, la pantalla mostrará, "PrI - OFF" durante 10 segundos mientras funciona a la velocidad programada (consulte la **Figura 11**). Esto dará tiempo al usuario para activar el modo de cebado presionando la flecha "+". Si el usuario decide volver a activar el modo de cebado, la bomba pasará de la velocidad programada a 1700 rpm. El usuario puede aumentar la velocidad de cebado a 1700 rpm presionando la flecha "+". Comenzará la cuenta atrás de cebado de 5 minutos cuando dicho proceso se active por primera vez.

El instalador debe ajustar la velocidad de cebado a un nivel suficiente que permita el cebado de la bomba desde una instalación nueva, pero que no sea tan rápido que desperdicie mucha energía durante la ventana de cebado de 5 minutos. El tiempo que la bomba necesita para conseguir el cebado puede variar en base a condiciones externas como la temperatura del agua, la presión atmosférica y el nivel de agua de la piscina. Todo esto debe tenerse presente a la hora de ajustar la velocidad de cebado, sin embargo, en la mayoría de los casos, la bomba no tendrá que funcionar a 2850 rpm para realizar correctamente el proceso de autocebado.

Pruebe y verifique las velocidades de cebado escogidas más de una vez, permitiendo que el agua salga del sistema entre cada prueba.

Nota: el colador del prefiltro de la bomba siempre debe permanecer llena hasta la base de la entrada con el fin de evitar la entrada de aire en el sistema.

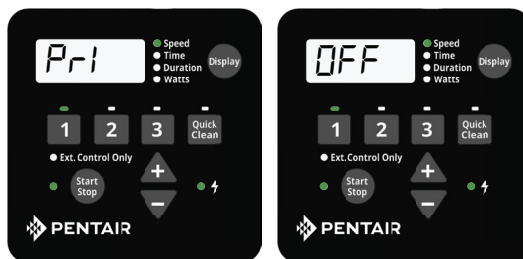


Figura 11: Desactivación del cebado

Limpeza rápida

La bomba de velocidad variable VS2 está provista de una función de limpieza rápida que se puede activar temporalmente para aumentar o reducir las velocidades en un intervalo entre 300 y 3450 rpm. Una vez transcurrida la duración del modo de limpieza rápida, la bomba vuelve automáticamente al programa establecido.

Programación de la limpieza rápida:

1. Detenga la bomba (si se encuentra en funcionamiento), presionando el botón **Start/Stop**.
2. Presione el botón **Quick Clean**. El LED situado sobre el botón **Quick Clean** y el LED del parámetro "Speed" parpadeará durante el proceso de edición. Consulte la **Figura 12**.



Figura 12: Ajuste de velocidad para la limpieza rápida

3. Utilice las flechas "+" y "-" para ajustar la velocidad en rpm o Limpieza rápida.
4. Presione de nuevo el botón **Quick Clean** y la pantalla cambiará a la duración de la función de limpieza rápida. El LED del parámetro "Duración" parpadeará durante la edición. Consulte la **Figura 13**.

Nota: la función de limpieza rápida no cuenta con una hora de inicio.



Figura 13: Ajuste de duración para la limpieza rápida

5. Utilice las flechas "+" y "-" para ajustar la duración en horas y minutos de la limpieza rápida.
6. Presione el botón **Start/Stop** y asegúrese de que el LED esté encendido. La bomba se encuentra ahora encendida y funcionará con la velocidad y duración establecidas para el proceso de limpieza rápida.

Nota: al acabar el proceso de limpieza rápida, la bomba reanuda el programa de 24 horas en el punto en el que se encontraría en ese momento. La duración de la limpieza rápida no afectará a las horas de inicio y parada del programa de 24 horas. Por ejemplo, si el modo de limpieza rápida se ejecuta durante un periodo de solapamiento con la última parte de la VELOCIDAD 1 y con el principio de la VELOCIDAD 2, la hora de inicio de la VELOCIDAD 3 no se verá afectada.

Nota: al mantener pulsada la tecla de limpieza rápida durante más de tres (3) segundos se cancelará dicho modo.

Nota: durante el modo de limpieza rápida, la bomba no se encenderá con la secuencia de cebado.

Nota: se recomienda no ajustar la duración de la limpieza rápida en 0 horas. Si lo hace, no podrá cambiar el ajuste de duración cuando el motor esté en funcionamiento. El motor deberá detenerse para cambiar los ajustes del modo de limpieza rápida si su duración se establece en 0 horas.

Bloqueo del teclado



El bloqueo del teclado no evitará que el motor se detenga al pulsar el botón Start/Stop. Por lo tanto, no será posible volver a encender el sistema hasta desbloquear el teclado. Si el motor está operando en modo de bloqueo del teclado y se está manejando desde controles externos, solo puede ponerse en funcionamiento cuando el LED de Start/Stop esté iluminado.

La interfaz de usuario de la bomba de velocidad variable VS2 dispone de una función de bloqueo del teclado para evitar cambios involuntarios en los ajustes. Bloqueado, el teclado solo aceptará entradas presionando el botón **Display** para realizar el ciclo de la información mostrada en pantalla y entrada para parar el motor presionando el botón **Start/Stop**.

El teclado puede bloquearse manteniendo presionados simultáneamente el botón "1" y el de **Quick Clean** durante al menos tres segundos. La pantalla mostrará "Loc On" (Bloqueo activado) si se hace correctamente.

Para desbloquear el teclado mantenga presionados simultáneamente el botón "1" y el de **Quick Clean** durante al menos tres segundos. La pantalla mostrará "Loc OFF" (Bloqueo desactivado) si se hace correctamente.

Nota: aunque el modo de bloqueo del teclado se encuentre activado, es posible detener el motor pulsando el botón **Start/Stop**. Sin embargo, el motor no puede volver a ponerse en funcionamiento hasta que el usuario desbloquee el teclado.

Restablecimiento a valores de fábrica

La unidad puede restablecerse a sus valores de fábrica, en caso necesario. Un restablecimiento a valores de fábrica borrará todos los ajustes de usuario guardados que se hayan programado, excepto la hora. Asegúrese de que sea realmente necesario ejecutar un restablecimiento a valores de fábrica, ya que los resultados son inmediatos.

Para ejecutar un restablecimiento a valores de fábrica:

1. Detenga la bomba (en caso necesario), presionando el botón **Start/Stop**.
2. Registre todos los ajustes de programa personalizados empleando la **Tabla 3**. Podrá encontrar estos ajustes presionando los botones “1”, “2”, “3” y “**Quick Clean**” y realizando el ciclo que pasa por todas las pantallas. Anote también la velocidad de cebado.
3. Mantenga presionados los botones “1”, “2”, “3” y “**Quick Clean**” durante 3 segundos.
4. La pantalla mostrará “**FACT rSt**” si el restablecimiento a valores de fábrica se ha realizado correctamente. Consulte la **Figura 14**.
5. Asegúrese de volver a introducir el programa y la velocidad de cebado tras ejecutar el restablecimiento a valores de fábrica. La bomba debe volverse a encender mediante el botón **Start/Stop** antes de volver a ponerla en funcionamiento. La bomba también ejecutará el programa introducido en la puesta en marcha inicial.

Nota: el restablecimiento a valores de fábrica no puede ejecutarse con el teclado bloqueado.



Figura 14: Restablecimiento de la unidad a sus valores de fábrica

	Velocidad (rpm)	Duración (Horas)	Hora de inicio (Reloj)
VELOCIDAD 1			
VELOCIDAD 2			
VELOCIDAD 3			
LIMPIEZA RÁPIDA			
Velocidad de cebado			

Tabla 3: Programas introducidos por el usuario



NO abra la cámara del prefiltro si la bomba de velocidad variable VS2 no ceba o si la bomba ha estado funcionando sin agua en la cámara del prefiltro. Las bombas que han funcionado en estas condiciones pueden acumular presión de vapor y contener agua muy caliente. Abrir la bomba puede provocar lesiones graves. Para evitar el riesgo de daños personales, compruebe que las válvulas de succión y de despresurización estén abiertas y que la cámara del prefiltro no esté caliente al tacto, después ábralo con extremo cuidado.



Para evitar daños en la bomba y para que el sistema funcione correctamente, limpie regularmente los coladores del prefiltro y del desespumador de la bomba.

Colador del prefiltro de la bomba

El colador del prefiltro de la bomba (o "cámara del prefiltro", "cámara de residuos") se encuentra en la parte delantera de la voluta. Dentro de la cámara está el colador que debe permanecer siempre libre de hojas y residuos. Visualice el colador a través de la tapa transparente para ver si hay hojas y suciedad.

Aunque es importante respetar el intervalo de limpieza del filtro, es más importante inspeccionar visualmente el colador al menos una vez por semana.

Limpieza del colador del prefiltro de la bomba

1. Pulse el botón **Start/Stop** para parar la bomba y desconectar la bomba en el disyuntor eléctrico.
2. Libere la presión del sistema permitiendo la refrigeración del agua.
3. Golpee suavemente la abrazadera en sentido antihorario para retirarla junto con la tapa.
4. Retire la suciedad y enjuague el colador. Sustituya el colador si está agrietado.
5. Coloque el colador de nuevo en su alojamiento. Asegúrese de alinear la muesca de la parte posterior del colador con el nervio de la parte inferior de la voluta.
6. Llene de agua la cámara de la bomba y la voluta hasta el orificio de entrada.
7. Limpie la tapa, la junta tórica, y la superficie sellante de la cámara de la bomba. **Nota:** es importante mantener limpia y bien lubricada la junta tórica de la tapa.
8. Reinstale la tapa colocándola sobre la cámara. Asegúrese de que la junta tórica de la tapa esté colocada correctamente. Ajuste la abrazadera y la tapa, luego gírela en sentido horario hasta que las asas queden horizontales.
9. Conecte la alimentación del circuito eléctrico de la casa. Restablezca la hora en el reloj de la piscina si es necesario.
10. Abra la válvula manual de evacuación de aire que se encuentra encima del filtro.
11. Manténgase apartado del filtro. Ponga en marcha la bomba.
12. Purgue el aire del filtro hasta que salga un flujo de agua continuo. Cierre la válvula manual de evacuación de aire.

Acondicionamiento para el invierno

Usted es el responsable de determinar cuándo se pueden producir condiciones de congelación. Si se esperan condiciones de congelación, tome las siguientes medidas para reducir el riesgo de daños por congelación. **Los daños por congelación no están cubiertos por la garantía.**

Para evitar daños por congelación siga los pasos que se citan a continuación:

1. Pulse el botón **Start/Stop** para detener la bomba y cortar el suministro eléctrico en el disyuntor del circuito.
2. Vacíe el agua de la carcasa de la bomba retirando los dos tapones de drenaje de rosca de la carcasa. Guarde los tapones dentro del colador de la bomba.
3. Cubra el motor para protegerlo de lluvia, nieve y hielo intensos.

Nota: no envuelva el motor con plástico u otros materiales estancos durante el almacenamiento invernal. El motor puede cubrirse durante una tormenta, para su almacenamiento invernal, etc. pero nunca cuando esté funcionando, o en espera de iniciar su funcionamiento.

Nota: en áreas de clima suave, si se presentan condiciones temporales de congelación, haga funcionar su equipo de filtrado toda la noche, para evitar la congelación.

ESTE SISTEMA FUNCIONA A ALTA PRESIÓN.

Cuando se realizan labores de mantenimiento en una pieza del sistema circulante (por ejemplo, anillo de bloqueo, bomba, filtro, válvulas, etc.) puede entrar aire en el sistema y presurizarlo. El aire a presión puede proyectar la tapa de forma violenta, lo que puede causar daños en la propiedad, lesiones graves e incluso la muerte. Para evitar este peligro potencial, siga las instrucciones anteriores.



MANTENIMIENTO



WARNING Desconecte siempre la alimentación eléctrica de la bomba de velocidad variable VS2 con el disyuntor de circuito y desconecte el cable de comunicación antes de realizar las labores de mantenimiento de la bomba. De no hacerlo podría causar la muerte o heridas graves al personal de mantenimiento, a los usuarios o a otros, debido a una descarga eléctrica. Lea todas las instrucciones de mantenimiento antes de intervenir en la bomba.



WARNING NO abra la cámara del prefiltro si la bomba no ceba, o si la bomba ha estado funcionando sin agua en la cámara del prefiltro. Las bombas que han funcionado en estas condiciones pueden acumular presión de vapor y contener agua muy caliente. Abrir la bomba puede provocar lesiones graves. Para evitar el riesgo de daños personales, compruebe que las válvulas de succión y de despresurización estén abiertas y que la cámara del prefiltro no esté caliente al tacto, después ábralo con extremo cuidado.



CAUTION Asegúrese de no arañar o dañar las superficies de sellado pulidas del eje; el sellado presentaría fugas si se daña. Las caras pulidas y lapeadas de la junta de estanqueidad podrían dañarse si no se manejan con cuidado.

Cuidados del motor eléctrico

Protéjalo del calor

1. Mantenga el motor a la sombra.
2. Cualquier recinto cerrado debe estar bien ventilado, para evitar el sobrecalentamiento.
3. Proporcione una amplia ventilación transversal.

Protéjalo de la suciedad

1. Protéjalo de materiales extraños.
2. No almacene (ni vierta) los productos químicos para la piscina sobre o cerca del motor.
3. Evite barrer o levantar polvo cerca del motor mientras esté funcionando.
4. Si un motor ha sido dañado por culpa de la suciedad, se anula la garantía del motor.
5. Limpie la tapa, la abrazadera, la junta tórica y la superficie sellante de la cámara de la bomba.

Protéjalo de la humedad

1. Protéjalo de las salpicaduras de agua.
2. Protéjalo de condiciones meteorológicas extremas como inundaciones.
3. Si un motor se ha humedecido, espere a que esté seco antes de ponerlo en marcha. No haga funcionar la bomba si ha sido inundada.
4. Si un motor ha sido dañado por el agua, se anula la garantía del motor.

Sustitución de la junta de estanqueidad del eje

La junta de estanqueidad del eje se compone principalmente de dos partes, una pieza rotatoria y una junta cerámica de estanqueidad.

La bomba requiere poco o ningún mantenimiento, además de los cuidados razonables, sin embargo, ocasionalmente puede dañarse la junta de estanqueidad del eje y debe sustituirse.

Nota: Las caras pulidas y lapeadas de la junta de estanqueidad podrían dañarse si no se manejan con cuidado.

Desensamblaje de la bomba

Todas las piezas móviles están situadas en el subconjunto trasero de la bomba.

Herramientas necesarias:

- Enchufe o llave con extremo abierto de 1/4".
- Enchufe o llave con extremo abierto de 3/8".
- Llave de 9/16" con extremo abierto.
- Llave Allen de 1/4"
- Destornillador de punta plana.

Para desmontar y reparar el subconjunto del motor, siga las siguientes instrucciones:

1. Pulse el botón **Start/Stop** para parar la bomba y desconectar la bomba del disyuntor eléctrico en el panel principal.
2. Purgue la bomba extrayendo los tapones de desagüe.
3. Extraiga los 4 tornillos que sujetan el cuerpo principal de la bomba (cámara del prefiltro/voluta) al subconjunto trasero.
4. Estire **SUAVEMENTE** para separar las dos mitades de la bomba, apartando el subgrupo trasero.
5. Extraiga los tres tornillos de cabeza hexagonal que sujetan el difusor.
6. Sujete firmemente la turbina en su sitio, y extraiga el tornillo de bloqueo del rotor utilizando un destornillador plano o una llave inglesa. El tornillo es de rosca a izquierdas y se afloja en el sentido horario.
7. Para desatornillar la turbina del eje, introduzca una llave Allen de 1/4" en el centro del ventilador del motor y desenrosque la turbina en sentido antihorario.
8. Extraiga los cuatro tornillos de la placa de estanqueidad al motor, usando una llave de 9/16".
9. Coloque la cara de la placa de estanqueidad hacia abajo, sobre una superficie plana, y extraiga la junta cerámica.
10. Limpie la placa de estanqueidad, su alojamiento, y el eje del motor.



CAUTION NO ponga en marcha la bomba en seco. Si la bomba funciona en seco, la junta mecánica de estanqueidad quedará dañada y la bomba tendrá pérdidas de agua. Si esto ocurre, debe sustituirse la junta de estanqueidad dañada. Mantenga SIEMPRE el nivel de agua adecuado. Si el nivel de agua cae por debajo de la abertura de succión, la bomba atraerá aire a través de la toma de succión, perdiéndose el cebado y provocando el funcionamiento de la bomba en seco, lo que dañará la junta de estanqueidad. Un funcionamiento continuado en estas condiciones podría provocar pérdida de presión y causar daños a la caja, a la turbina y a la junta de la bomba, además de lesiones personales.

Ensamblaje de la bomba

1. Para instalar la junta de repuesto en la placa de estanqueidad, utilice agua jabonosa para humedecer el guardapolvo de goma antes de presionarlo contra la placa de estanqueidad.
2. Monte de nuevo la placa de estanqueidad al motor.
3. Antes de instalar la parte giratoria de la junta en el eje del motor, humedezca el eje del motor con agua jabonosa y deslice la junta por el eje del motor. Asegúrese de que la cara de carbono está en contacto con la cara cerámica del asiento estacionario. Presione la junta de estanqueidad contra la placa de estanqueidad con los pulgares y limpie la cerámica con un paño limpio.
4. Enrosque la turbina en el eje del motor (sentido horario para apretar).
5. Atornille el tornillo de bloqueo de la turbina (en sentido antihorario para apretarlo).

Nota: introduzca una llave Allen de 1/4" en el eje del motor a través del orificio situado en la parte trasera de la cubierta del ventilador del motor. Esto evitará que el eje del motor gire y enrosque en la rosca en el tornillo de bloqueo de la turbina.

6. Monte de nuevo el difusor en la placa de estanqueidad. Asegúrese que los pernos de plástico y las inserciones del tornillo de sujeción quedan alineados.
7. Engrase la junta cuadrada del difusor y la junta tórica de la placa antes de ensamblarlas.
8. Ensamble el subconjunto del motor en el cuerpo de la bomba-cámara del prefiltro. Apriete los 4 pernos a mano hasta que se encuentren en su lugar.
9. Llene la bomba de agua.
10. Vuelva a montar la tapa de la bomba y la abrazadera de plástico; consulte la sección siguiente "Instrucciones para volver a poner en marcha".
11. Vuelva a cebar el sistema.

Instrucciones para volver a poner en marcha

Si la bomba de velocidad variable VS2 está instalada bajo el nivel del agua de la piscina, cierre los conductos de retorno y de succión antes de abrir la cámara de residuos de la bomba. Asegúrese de volver a abrir las válvulas, antes de ponerla en marcha.

Cebado de la bomba

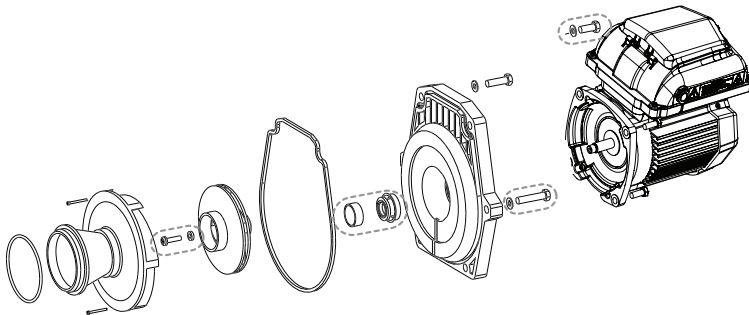
La cámara del prefiltro de la bomba debe llenarse de agua antes de ponerla en marcha.

Siga estos pasos para cebar la bomba:

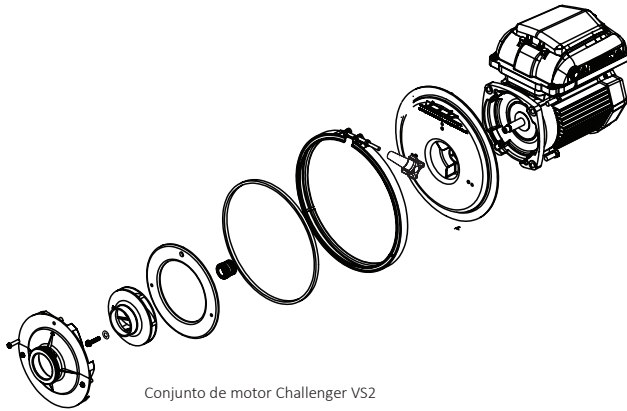
1. Vuelva a colocar la tapa de la bomba y la abrazadera de plástico. Retire la tapa de la bomba.
2. Llene de agua la cámara de prefiltro de la bomba.
3. Vuelva a montar la cubierta de la bomba y la abrazadera de plástico en la cámara del prefiltro. Ahora la bomba está lista para cebarla.
4. Abra la válvula de purga de aire en el filtro, y manténgase apartado del filtro.
5. Conecte la alimentación eléctrica a la bomba.
6. Presione el botón **Start/Stop** en el teclado de la unidad. Si la bomba está programada para ponerse en funcionamiento, lo hará.

Nota: si la bomba no está programada para ponerse en marcha, presione un botón de **Speed** para comenzar una anulación manual que provocará su puesta en funcionamiento.

7. Cuando salga agua de la válvula de purga de aire, cierre la válvula. El sistema quedará libre de aire y distribuirá agua desde y hacia la piscina.



Conjunto de motor WhisperFlo VS2



Conjunto de motor Challenger VS2

SOLUCIÓN DE PROBLEMAS

⚠ WARNING

Para diagnosticar ciertos síntomas es posible que requiera utilizar o estar cerca de algunos componentes eléctricos. El contacto con la electricidad puede causar daños en la propiedad, lesiones personales e incluso la muerte. Al realizar el procedimiento de solución de problemas de la bomba, un profesional cualificado deberá encargarse de los diagnósticos que impliquen la presencia de componentes eléctricos.

Problema	Posible causa	Medida correctiva
Fallo en la bomba.	<p>La bomba no se ceba - Fuga de aire, exceso de aire.</p> <p>La bomba no se ceba - Falta agua.</p> <p>La junta de estanqueidad del prefiltro de la bomba está obstruida.</p> <p>La junta de estanqueidad del prefiltro de la bomba está defectuosa.</p>	<p>Compruebe las tuberías de succión y espitas de válvula, en todas las válvulas de succión de compuerta. Ajuste bien la tapa en la cámara de prefiltro de la bomba y asegúrese que la junta de estanqueidad de la tapa está en su lugar. Compruebe el nivel del agua para asegurarse que el desespumador no esté tomando aire.</p> <p>Asegúrese que las líneas de succión, bomba, prefiltro y voluta de la bomba estén llenos de agua. Asegúrese de que la válvula del conducto de succión esté en funcionamiento y abierta (algunos sistemas no tienen válvulas). Compruebe el nivel del agua para asegurarse de que pasa agua a través del desespumador.</p> <p>Limpie la cámara del prefiltro de la bomba.</p> <p>Sustituya la junta de estanqueidad.</p>

Solución de problemas (cont.)

Disminución de capacidad y/o caudal.	<p>Bolsas o fugas de aire en la línea de succión.</p> <p>Propulsor atascado.</p> <p>Prefiltro de la bomba atascado.</p>	<p>Compruebe las tuberías de succión y espigas de válvula, en todas las válvulas de succión de compuerta. Ajuste bien la tapa en la cámara del prefiltro de la bomba y asegúrese que la junta de estanqueidad de la tapa está en su lugar. Compruebe el nivel del agua para asegurarse que el desespumador no esté tomando aire.</p> <p>Desconecte la alimentación eléctrica a la bomba. Desensamble (véase página 14, "Desensamblaje de la bomba").</p> <p>Limpie de residuos el propulsor. Si los residuos no se pueden eliminar, siga los pasos siguientes:</p> <ol style="list-style-type: none"> 1. Extraiga el perno anti giro de rosca a izquierda y la junta tórica. 2. Extraiga, limpie y reinstale el rotor. <p>Ensamble (véase página 15, "Ensamblaje de la bomba").</p> <p>Limpie la rejilla de aspiración.</p>
La bomba falla al ponerse en marcha.	<p>No existe tensión eléctrica</p> <p>El eje de la bomba está bloqueado</p> <p>El eje de la bomba está dañado</p>	<ol style="list-style-type: none"> 1. Sustituya el fusible, reinicie el interruptor de circuito/GFCI. 2. Apriete las conexiones principales del cableado eléctrico. <p>Compruebe si la bomba se puede girar a mano y retire cualquier obstrucción.</p> <p>Sustituya la bomba.</p>
La bomba se pone en marcha y, seguidamente, se para.	<p>AVERÍA por exceso de temperatura</p> <p>AVERÍA por exceso de corriente</p>	<p>Compruebe que la parte trasera de la bomba no tenga suciedad ni residuos. Utilice aire comprimido para realizar la limpieza.</p> <p>La bomba volverá a ponerse en marcha automáticamente después de un (1) minuto.</p>
La bomba es ruidosa.	<p>Residuos en contacto con el ventilador</p> <p>Residuos en el colador del prefiltro</p> <p>Montaje flojo</p>	<p>Compruebe que la parte trasera de la bomba no tenga suciedad ni residuos. Utilice aire comprimido para realizar la limpieza.</p> <p>Limpie el colador del prefiltro.</p> <p>Compruebe que los pernos de montaje de la bomba y la bomba estén bien apretados.</p>
Problema	Posible causa	Medida correctiva
La bomba funciona sin caudal.	<p>Rotor flojo</p> <p>Fuga de aire</p> <p>Sistema de tuberías obstruido total o parcialmente</p>	<p>Compruebe si la bomba gira mirando el ventilador en la parte posterior de la bomba de velocidad variable VS2. Si es así, compruebe si el propulsor de la bomba está correctamente instalado.</p> <p>Compruebe las conexiones de las tuberías y asegúrese de que estén bien apretadas.</p> <p>Compruebe la existencia de obstrucciones en el prefiltro o en la tubería del lado de succión.</p> <p>Compruebe la existencia de obstrucciones en la tubería de descarga incluyendo válvulas parcialmente cerradas o filtro de la piscina sucio.</p>

Errores y alarmas

Si ha saltado una alarma, la pantalla LCD de la unidad mostrará el texto del código de avería y la bomba de velocidad variable VS2 se detendrá. Desconecte el suministro eléctrico a la bomba y espere a que todos los LED del teclado se apaguen. En ese momento, devuelva el suministro a la bomba. Si el error no desaparece, será necesario realizar la solución de problemas adecuada. Emplee la siguiente tabla de descripción de errores para comenzar con la solución de problemas.

Fault Code	Description
21	Communication link between HMI and motor control has been lost
1A	Power Module over current detected
17	Phase Current Offset out of range
1b	Phase Current Imbalance detected
0F	Absolute AC under voltage detected
02	Absolute Phase current limit exceeded
08	Absolute Diode Bridge temperature limit exceeded
04	Absolute Power Module temperature limit exceeded
06	Absolute Power Factor Correction (PFC) temperature limit exceeded
09	DC bus over voltage detected
0A	DC bus under voltage detected

21 – Enlace de comunicación entre la HMI y el control del motor perdido: compruebe el cableado con funda situado en la parte trasera del teclado, dentro de la cubierta superior de la unidad. Asegúrese de que el conector de 5 clavijas esté enchufado correctamente a la toma y que el cable no presente daños.

1A – Detectada sobrecarga de corriente en el módulo de potencia: si este error aparece varias veces, podría existir un problema en el conjunto giratorio de la bomba. Desmonte la bomba e investigue si hay algún problema con la turbina o el sello mecánico. Consulte la página 14 “Desmontaje de la bomba” para obtener instrucciones para el desmontaje de la bomba.

0F – Detectada tensión insuficiente de CA absoluta: indica que la tensión de suministro ha caído por debajo del rango operativo de los 99 V. Esto podría deberse a una variación de la tensión normal y se borrará por sí mismo. De lo contrario, podría existir una caída excesiva de tensión derivada de una instalación incorrecta o por una tensión de suministro inadecuada.

17, 1b, 02, 08, 04, 06, 09, 0A – Errores internos: estos errores pueden producirse en base a las condiciones operativas y al software de seguridad de autodiagnóstico requerido del UL 60730. Si no se borra tras varios intentos de rearranque, la unidad debe someterse a un ciclo de potencia intenso. Desconecte el suministro principal apagando el disyuntor el tiempo suficiente para que se apaguen los LED del teclado. Tras volver a conectar el suministro, si persiste uno de los errores, la unidad debe someterse a trabajos de servicio.

Especificaciones de la bomba

Características nominales generales

Tensión de entrada	115-230 Vrms nominales	
Corriente de entrada	13,2/12,0-11,5 A	
Frecuencia de entrada	Monofásica, 50 o 60 Hz	
Terminales de control	18-30 V CA (24 V CA +/- 20 %) o 9-30 V CC (12/24 V CC +/- 20 %)	
Carga máxima continua	2,0 THP (caballos de vapor totales)	
Rango de velocidad	300 - 3450 rpm	
Características nominales medioambientales		NEMA
Tipo 3		
Condiciones ambientales		
Almacenamiento	-40 a +85 °C (-40 a +185 °F)	
Funcionamiento	0 a +50 °C (+32 a +122 °F)	
Humedad	relativa de 0 al 95 %, sin condensación	

AVVERTENZA IMPORTANTE SULLA POMPA E ISTRUZIONI DI SICUREZZA



AVVISO IMPORTANTE

Questa guida contiene le istruzioni di installazione e funzionamento della pompa a velocità variabile VS2. Rivolgersi a Pentair per eventuali domande sull'apparecchiatura.

Avviso per gli installatori: questa guida contiene informazioni importanti per l'installazione, il funzionamento e l'uso sicuro del prodotto. Tali informazioni devono pertanto essere consegnate al proprietario e/o all'utente di questa apparecchiatura dopo l'installazione o conservate in prossimità della pompa.

Avviso per gli utenti: questo manuale contiene informazioni importanti per il funzionamento e la manutenzione di questo prodotto. Va conservato per futura consultazione. Avvertenze e istruzioni di sicurezza per i prodotti Pentair Aquatic Systems. Le pompe e altri prodotti correlati sono disponibili presso: <http://www.pentairpool.com/pool-owner/safety-warnings/> per ulteriori copie gratuite delle presenti istruzioni.

LEGGERE E ATTENERSI A TUTTE LE ISTRUZIONI CONSERVARE

LE PRESENTI ISTRUZIONI



Questo è il simbolo dell'avviso di sicurezza. Quando questo simbolo è visibile sull'impianto o nel presente manuale è necessario cercare di individuare una delle seguenti parole chiave e stare attenti alla possibilità di lesioni personali.



Mette in guardia da pericolo di vita, di gravi lesioni personali o di consistenti danni alle cose.



Mette in guardia da potenziale pericolo di vita, di gravi lesioni personali o di consistenti danni alle cose.



Mette in guardia da pericolo di lievi lesioni personali o di danni alle cose se non sarebbe considerato.

Nota: Indica istruzioni speciali non relative a pericoli.

Leggere con attenzione e attenersi a tutte le istruzioni di sicurezza riportate nel presente manuale e sulle apparecchiature. Mantenere le etichette di sicurezza in buone condizioni e sostituirle se mancanti o illeggibili.

Quando si installano e si utilizzano apparecchiature elettriche è necessario osservare sempre precauzioni di sicurezza di base, fra cui le seguenti:



Impedire ai bambini di utilizzare questo prodotto.



RISCHIO DI FOLGORAZIONE Collegare esclusivamente a un circuito derivato protetto da un interruttore differenziale. Contattare un elettricista qualificato nel caso in cui non sia possibile verificare se il circuito sia protetto da un interruttore automatico differenziale.



Questa unità deve essere collegata esclusivamente a un circuito di alimentazione protetto da un interruttore differenziale. Tale interruttore differenziale deve essere fornito dall'installatore e testato regolarmente. Per testare l'interruttore differenziale, premere il pulsante Test. L'interruttore differenziale dovrebbe interrompere l'alimentazione. Premere il pulsante Reset. L'alimentazione dovrebbe essere ripristinata. Se utilizzando questa procedura l'interruttore differenziale non funziona, significa che è difettoso. Se l'interruttore differenziale interrompe l'alimentazione della pompa senza che si prema il pulsante Test, è presente una corrente vagante, che comporta il rischio di folgorazione. Evitare di usare la pompa. Scollegare la pompa e far risolvere il problema a un tecnico di assistenza qualificato prima di utilizzarla nuovamente.



Questa pompa è destinata all'uso con piscine permanenti e, se specificamente indicato, con vasche termali e per idromassaggio.

Non utilizzare con piscine riponibili. Per "piscina a installazione permanente" si intende una vasca interrata o costruita sul terreno o in un edificio in modo tale da non poter essere smontata o ripiegata. Una "piscina riponibile" può essere rapidamente smontata per essere stoccata e rimontata per l'uso.

Avvertenze generali

- Non aprire mai la parte interna della copertura del motore. Il dispositivo contiene un condensatore che trattiene una carica di 230 VCA, anche quando l'unità è scollegata dall'alimentazione.
- La pompa non è di tipo sommerso.
- La pompa è in grado di sostenere portate notevoli; prestare attenzione nell'installazione e nella programmazione, limitando le performance della pompa in presenza di apparecchiature obsolete o poco efficienti.
- Le normative vigenti in materia di impianti elettrici possono variare fra i diversi stati. Installare le apparecchiature in conformità all'attuale NEC (National Electrical Code) e a tutte le leggi e le normative vigenti.
- Prima di effettuare la manutenzione della pompa, staccare l'alimentazione scollegando il circuito principale della pompa.
- L'uso di questa apparecchiatura non è consentito a persone (inclusi i bambini) con capacità fisiche, sensoriali o mentali ridotte, o esperienza e conoscenze scarse, a meno che non abbiano ricevuto supervisione o formazione in merito all'uso dell'apparecchiatura stessa da parte di una persona responsabile della loro sicurezza.
- Collegamento equipotenziale sufficiente (minimo raccomandato 4.5mm²), in conformità alla normativa vigente, è obbligatorio mentre tutti i componenti metallici della piscina, tra cui la pompa della piscina. Ciò è necessario per la sicurezza elettrica, anche per quanto riguarda la riduzione del rischio di corrosione.



IL MANCATO RISPETTO DELLE ISTRUZIONI E DELLE AVVERTENZE PUÒ CAUSARE GRAVI LESIONI PERSONALI O CONSEGUENZE MORTALI.

L'INSTALLAZIONE E LA MANUTENZIONE DELLA POMPA DEVONO ESSERE EFFETTUATE ESCLUSIVAMENTE DA PERSONALE QUALIFICATO NEL SETTORE PISCINE. GLI INSTALLATORI, I TECNICI E I PROPRIETARI DELLA PISCINA DEVONO LEGGERE ATTENTAMENTE LE PRESENTI AVVERTENZE E LE ISTRUZIONI CONTENUTE NEL MANUALE D'USO PRIMA DI UTILIZZARE LA POMPA. LE PRESENTI AVVERTENZE E IL MANUALE D'USO DEVONO ESSERE LASCIATI AL PROPRIETARIO DELLA PISCINA.



RISCHIO DI INTRAPPOLAMENTO CAUSATO DALLA FORZA DI ASPIRAZIONE: ALLONTANARSI DAL COLLETTORE PRINCIPALE E DA TUTTE LE BOCCHETTE DI PRESA!



QUESTA POMPA PRODUCE LIVELLI DI ASPIRAZIONE ELEVATI E GENERA UNA FORTE ASPIRAZIONE IN CORRISPONDENZA DEL COLLETTORE PRINCIPALE SUL FONDO DELLA MASSA D'ACQUA. L'ASPIRAZIONE È TANTALMENTE FORTE DA POTER INTRAPPOLARE ADULTI O BAMBINI SOTT'ACQUA SE SI AVVICINANO A UNO SCARICO O A UNA COPERTURA DEL DRENAGGIO O ALLA GRATIA LENTI O DANNEGGIATI.



RISCHIO DI FOLGORAZIONE: LE POMPE RICHIEDONO TENSIONI ELEVATE, CHE POSSONO ESSERE CAUSA DI FOLGORAZIONE, USTIONI O MORTE. PRIMA DI LAVORARE SULLA POMPA! Scollegare sempre la pompa dal circuito di alimentazione mediante l'interruttore principale, prima di iniziare qualsiasi intervento di riparazione sulla pompa. Il mancato rispetto di questa precauzione potrebbe causare lesioni da gravi a mortali al tecnico dell'assistenza, agli utenti della piscina o a terzi, in seguito alle possibili scariche elettriche.



L'USO DI COPERCHI DI TIPO NON APPROVATO O L'USO DI PISCINE E AMBIENTI ACQUATICI PRIVI DI COPERCHI O CON COPERCHI DANNEGGIATI O ROTTI PUÒ CAUSARE L'INTRAPPOLAMENTO DEGLI ARTI O DI ALTRE PARTI DEL CORPO, DI CAPELLI, DEL CORPO, EVISCERAZIONE E/O MORTE.

L'aspirazione allo scarico o alle bocchette può provocare:

Intrappolamento degli arti: Quando si verifica l'aspirazione o inserimento di un arto in un'apertura con conseguente incastratura meccanica o edema. Questo pericolo è presente quando il coperchio dello scarico è mancante, rotto, allentato, fessurato o non adeguatamente fissato.

AVVERTENZA IMPORTANTE E ISTRUZIONI DI SICUREZZA RELATIVE ALLA POMPA

Intrappolamento dei capelli: Quando avviene l'intrappolamento o annodamento dei capelli nel coperchio dello scarico, tale da intrappolare il nuotatore sott'acqua. Questo pericolo è presente quando la portata del coperchio è troppo bassa per la pompa o le pompe.

Intrappolamento del corpo: Quando una parte del corpo è bloccata contro il coperchio dello scarico intrappolando il nuotatore sott'acqua. Questo pericolo è presente quando il coperchio dello scarico è mancante, rotto o quando la portata del coperchio non è abbastanza elevata per la pompa o pompe.

Eviscerazione/sventramento: Quando una persona si siede su una bocchetta aperta di una piscina (in particolare di una piscina per bambini) o di una vasca idromassaggio e l'aspirazione viene applicata direttamente a livello del tratto intestinale, provocando gravi lesioni intestinali. Questo pericolo è presente quando il coperchio dello scarico è mancante, allentato, fessurato o non adeguatamente fissato.

Intrappolamento meccanico: Quando gioielli, costumi da bagno, accessori per capelli, dita delle mani, dei piedi o le relative articolazioni restano intrappolati in un'apertura di una bocchetta o nel coperchio dello scarico. Questo pericolo è presente quando il coperchio dello scarico è mancante, rotto, lento, fessurato o non adeguatamente fissato.

Nota: LE BOCCHETTE DI ASPIRAZIONE DEVONO ESSERE INSTALLATE IN CONFORMITÀ ALLE LEGGI NAZIONALI E ALLE NORMATIVE, STANDARD E LINEE GUIDA LOCALI VIGENTI.

⚠️ WARNING

PER RIDURRE AL MINIMO IL RISCHIO DI LESIONI DOVUTE A PERICOLO DI INTRAPPOLAMENTO CAUSATO DALLA FORZA DI ASPIRAZIONE:

- I coperchi delle bocchette di ripresa devono essere installati ad almeno un metro di distanza l'uno dall'altro, misurata dal punto più vicino al punto più vicino.
- Verificare regolarmente tutte le coperture per escludere eventuali fessurazioni, danni e degrado a causa di intemperie.
- Se un coperchio si allenta, si crepa, viene danneggiato, si rompe o manca, è necessario sostituirlo con un coperchio certificato adeguato.
- Sostituire le coperture del drenaggio secondo necessità. I coperchi degli scarichi si deteriorano con il tempo a causa dell'esposizione a luce solare e intemperie.
- Evitare di avvicinare capelli, arti o il corpo a coperture di aspirazione, drenaggio della piscina o bocchette.
- Disattivare le bocchette di ripresa o riconfigurarle in bocchettoni di impulsione.

⚠️ WARNING

Un interruttore di arresto chiaramente demarcato della pompa deve trovarsi in posizione intuitiva e facilmente accessibile. Assicurarsi che gli utenti sappiano dove si trova e come usarlo in caso di emergenza.

Il Virginia Graeme Baker (VGB) Pool and Spa Safety Act crea nuovi requisiti per i proprietari e i gestori di piscine e vasche idromassaggio commerciali. Le piscine o le vasche idromassaggio costruite dal 19 dicembre 2008 dovranno utilizzare:

(A) Un impianto con collettore principale multiplo e senza capacità di isolamento, con coperchi delle bocchette di presa conformi ad ASME/ANSI A112.19.8a Suction Fittings for Use in Swimming Pools, Wading Pools, Spas, and Hot Tubs, e uno dei seguenti elementi:

(i) Un sistema di sicurezza con valvola di rilascio del vuoto (SVRS) conforme ad ASME/ANSI A112.19.17 Manufactured Safety Vacuum Release systems (SVRS) for Residential and Commercial Swimming Pool, Spa, Hot Tub, and Wading Pool Suction Systems e/o ad ASTM F2387 Standard Specification for Manufactured Safety Vacuum Release Systems (SVRS) for Swimming pools, Spas and Hot Tubs;

(ii) Un impianto di sfido limitatore di suzione adeguatamente progettato e testato;

(iii) Un sistema di arresto automatico della pompa.

Le piscine e le vasche idromassaggio commerciali costruite prima del 19 dicembre 2008, con un'unica bocchetta di presa sommersa, avranno un coperchio della bocchetta di presa conforme ad ASME/ANSI A112.19.8a e uno dei seguenti elementi:

- (A) Un SVRS conforme ad ASME/ANSI A112.19.17 e/o ad ASTM F2387;
 (B) Un impianto di sfido limitatore di suzione adeguatamente progettato e testato;
 (C) Un sistema di arresto automatico della pompa;
 (D) Bocchette sommerse disabilitate;
 (E) Bocchette di presa riconfigurate come ingressi di ritorno.

Per l'installazione di controlli elettrici sulla base dell'apparecchiatura (Interruttori ON/OFF, controller e centro di carico di automazione)

⚠️ CAUTION



Installare tutti i controlli elettrici quali interruttori ON/OFF, controller e sistemi di controllo, ecc. sulla base dell'apparecchiatura per consentire il funzionamento (avvio, arresto o manutenzione) di tutte le pompe e i filtri senza richiedere all'utente di posizionare una parte del corpo sopra o in prossimità del coperchio del filtro di aspirazione, del filtro della pompa o delle chiusure delle valvole. L'installazione deve garantire all'utente spazio sufficiente per stare lontano dal filtro e dalla pompa durante l'avvio, l'arresto o la manutenzione del filtro dell'impianto.

⚠️ DANGER



PRESSIONE PERICOLOSA: ALLONTANARSI DA POMPA E FILTRO DURANTE L'AVVIO

Gli impianti di ricircolo funzionano ad alta pressione. Durante la manutenzione delle componenti dell'impianto di ricircolo (ad es. anello di fermo, pompa, filtro, valvole, ecc.), l'aria può introdursi nell'impianto e pressurizzarsi. L'aria pressurizzata può far saltare la copertura dell'alloggiamento della pompa, il coperchio del filtro e le valvole, causando gravi lesioni personali o conseguenze mortali. Il coperchio del serbatoio filtro e quello del filtro di aspirazione devono essere adeguatamente fissati per impedire che si staccino violentemente. Allontanarsi da tutti gli impianti di ricircolo al momento dell'accensione o avvio della pompa.

Prima di provvedere alla manutenzione dell'impianto, annotare la pressione del filtro. Assicurarsi di impostare tutti i controlli per impedire l'avvio accidentale dell'impianto durante la manutenzione. Scollegare l'alimentazione della pompa. **IMPORTANTE:** Posizionare la valvola di sfido aria manuale del filtro in posizione aperta e attendere lo sfido di tutta la pressione nell'impianto.

Prima di avviare l'impianto, aprire completamente la valvola di sfido aria manuale e posizionare tutte le valvole dell'impianto nella posizione "aperta" per consentire il ricircolo dell'acqua dal serbatoio al serbatoio. Tenersi a distanza da tutte le apparecchiature e avviare la pompa.

IMPORTANTE: Non chiudere la valvola di sfido aria manuale del filtro fino allo sfido di tutta la pressione dalla valvola e finché non si vede fuoriuscire un flusso d'acqua continuo. Osservare il manometro del filtro e assicurarsi che non sia superiore rispetto allo stato di pre-manutenzione.

Istruzioni generali per l'installazione

- Tutti gli interventi devono essere eseguiti da un tecnico di assistenza qualificato in conformità alle leggi nazionali e alle normative locali vigenti.
- Prevedere un adeguato drenaggio per il comparto dei componenti elettrici.
- Queste istruzioni contengono informazioni relative a diversi modelli di pompe; alcuni punti, pertanto, potrebbero non riferirsi al modello specifico dell'utente. Tutti i modelli sono destinati all'uso in piscina. La pompa funziona correttamente solo se adeguatamente dimensionata in base all'applicazione e installata secondo le disposizioni.
- È fortemente raccomandato di installare una valvola di non ritorno a valle della pompa per prevenire la rotazione inversa della girante ed un suo possibile allentamento.

⚠️ WARNING

Se la pompa non è dimensionata in modo corretto, o se viene installata e utilizzata per applicazioni diverse da quelle per cui è stata progettata, può provocare gravi lesioni personali o morte. I possibili rischi in queste situazioni includono: folgorazione, incendio, allagamento, intrappolamento da aspirazione, gravi lesioni e danni alle cose provocati dal cedimento strutturale della pompa o di altri componenti dell'impianto.

⚠️ WARNING

La pompa può produrre un'elevata forza di suzione sul lato di aspirazione dell'impianto idraulico. Tale forza di suzione potrebbe costituire un serio rischio per gli utenti in prossimità delle bocchette di aspirazione dell'acqua. Esiste infatti il pericolo che la persona possa riportare gravi lesioni dovute alla forza di aspirazione, oppure possa restare intrappolata e annega. È di vitale importanza che le bocchette di aspirazione vengano installate nel pieno rispetto di quanto previsto dalla normativa più recente a disciplina delle installazioni di piscine.

CONSERVARE QUESTE ISTRUZIONI

Panoramica sulla pompa

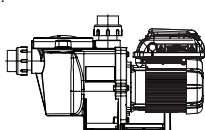
Scelta perfetta per tutti i tipi di piscine, la pompa a velocità variabile VS2 è stata progettata specificamente per soddisfare tutte le esigenze relative a una serie di piscine interrate.

Componenti dalle pareti spesse, motore TEFC estremamente resistente e parti idrauliche tecnicamente all'avanguardia rendono questa soluzione robusta e testata una scelta perfetta per ogni piscina, vasca idromassaggio, gioco d'acqua o fontana.

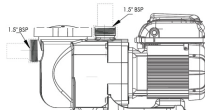
Tutte le pompe di Pentair Aquatic Systems includono componenti idrauliche innovative, basate su oltre 40 anni di esperienza e affinamento. Compatta, robusta e di facile manutenzione, la pompa VS2 garantisce anni di funzionamento affidabile.



Pompa Challenger VS2
P/N: CHL-VS2



Pompa Whisperflo-VS2
P/N: WFL-VS2



Pompa Superflo-VS2
P/N: SFL-VS2

Caratteristiche generali

- Funzionamento estremamente silenzioso
- Raccordi unificati (1,5" e 2") di facile ricambio
- Coperchio Cam and Ramp™ Lid per facilità di pulizia e manutenzione
- Motore TEFC intensivo (Totally Enclosed Fan Cooled) resistente per una durata lunga
- Cocola e prefiltro integrati riducono il rumore idraulico
- Il coperchio trasparente consente di ispezionare facilmente il cestello del filtro
- Autoadescente per un avvio rapido e semplice
- Certificazione CE/REACH
- Certificazione IPX6

Caratteristiche del controller

- Interfaccia utente intuitiva
- Involucro a prova di raggi UV e di pioggia certificato IPX6
- Programma con ora del giorno integrato
- Modalità di adescamento regolabile
- Modalità QuickClean programmabile
- Visualizzazione e mantenimento dell'allarme diagnostico
- Correzione del fattore di potenza attiva

- Accetta alimentazione in entrata da 99-253 V, 50/60 Hz
- Protezione del circuito che limita l'accensione automatica
- Mantenimento dell'orologio delle 24 ore in caso di un'interruzione corrente
- Modalità di blocco del tastierino
- Accetta input digitali a bassa tensione da comandi esterni

Panoramica sul controller

La pompa a velocità variabile VS2 si avvale di un motore a velocità variabile di eccezionale efficienza, che garantisce un'ottima flessibilità di programmazione dal punto di vista delle impostazioni di velocità e durata. La pompa è concepita per funzionare alle velocità più basse necessarie per mantenere un ambiente igienico, in modo da ridurre al minimo il consumo energetico. Le dimensioni della piscina, la presenza di ulteriori giochi d'acqua, le sostanze chimiche utilizzate per mantenere le condizioni igieniche e i fattori ambientali locali influiscono sulla programmazione ideale per ottimizzare la conservazione dell'energia.

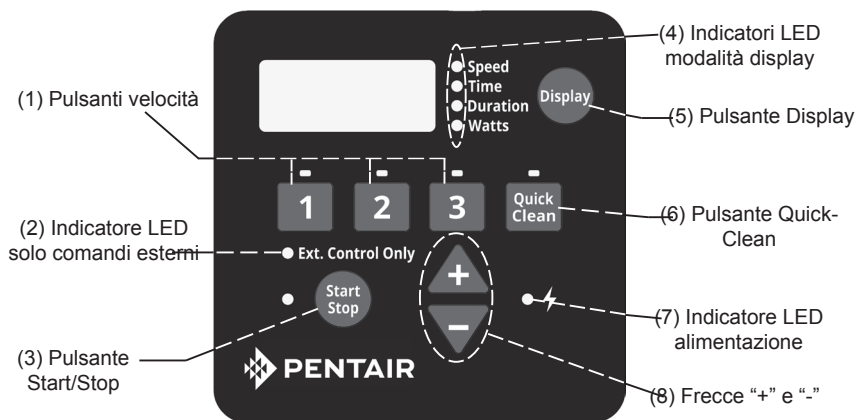
L'interfaccia a elettronica integrata controlla le impostazioni

⚠ WARNING La pompa va utilizzata a una tensione nominale di 115/208-230 Vrms ed ESCLUSIVAMENTE per applicazioni per piscine. Un collegamento alla tensione errata o l'uso per applicazioni diverse può causare danni alle apparecchiature o alle persone.

di velocità e la durata del funzionamento. La pompa può funzionare a velocità comprese fra 300 e 3450 giri/min e all'interno di un intervallo di tensione compreso fra 99 e 253 Vrms, con una frequenza d'entrata di 50 o 60 Hz. La personalizzazione dei programmi può necessitare di alcuni tentativi prima di riuscire a determinare l'impostazione più soddisfacente a seconda delle condizioni. Nella maggior parte dei casi, impostare la pompa alla velocità più bassa per la durata massima è la strategia migliore per ridurre al minimo il consumo energetico. Tuttavia, le condizioni potrebbero richiedere l'utilizzo della pompa a una velocità più elevata per un determinato lasso di tempo ogni giorno, in modo da mantenere una filtrazione adeguata all'ottenimento di condizioni igieniche soddisfacenti.

Nota: Ottimizzare la pompa in base alle condizioni della singola piscina. Condizioni specifiche come le dimensioni della piscina, la presenza di altri dispositivi o di giochi d'acqua e i fattori ambientali possono influenzare le impostazioni ottimali.

PANORAMICA SUL PANNELLO DI CONTROLLO



⚠ CAUTION

Se l'alimentazione è collegata al motore della pompa a velocità variabile VS2, premere uno qualsiasi dei pulsanti citati nella presente sezione può portare all'avvio del motore. Non tenere conto di ciò può portare a danni alle persone o alle cose.

Navigazione con il tastierino

- Pulsanti velocità** - Servono a selezionare la velocità di funzionamento desiderata. Il LED al di sopra degli stessi si accende una volta selezionata la velocità o durante il funzionamento. Se il LED lampeggia, significa che sono attivi dei comandi esterni su quel canale della velocità.
- Indicatore LED solo comandi esterni** - Indica che la pompa è in funzione in modalità Solo comandi esterni. Quando il LED si accende, il programma viene disabilitato e l'unico input è quello dei comandi esterni a bassa tensione.
- Pulsante Start/Stop** - Serve per avviare e arrestare la pompa. Quando la pompa viene arrestata e il LED non si accende, significa che non è in grado di funzionare indipendentemente dall'input.
- Indicatori LED modalità display** - Un LED acceso indica l'informazione visualizzata sullo schermo in ciascun momento preciso. Un LED lampeggiante indica che il parametro è in corso di modifica.
- Pulsante Display** - Serve a passare fra le varie modalità disponibili del display. Si utilizza anche per impostare l'orologio a 24 ore e la risoluzione dello schermo.
- Pulsante QuickClean** - Serve ad azionare la funzione QuickClean alla velocità e alla durata programmate. Quando il LED è acceso, il programma QuickClean è attivo.
- Indicatore LED alimentazione** - Se il LED è acceso, significa che la pompa è alimentata.
- Frecche "+" e "-"** - Servono a effettuare regolazioni delle impostazioni della pompa sullo schermo. La freccia "+" aumenta il valore di una determinata impostazione, mentre "-" lo diminuisce. Tenendo premuta una delle due frecce, l'aumento o la diminuzione avverranno in tempi più rapidi.

La pompa a velocità variabile VS2 può essere installata esclusivamente da un idraulico qualificato. Consultare le **"Avvertenze e istruzioni di sicurezza della pompa"** alle pag. ii - iii per ulteriori informazioni sulla sicurezza in fase di installazione.

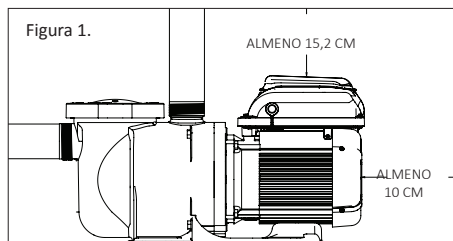
Posizionamento

Nota: non installare la pompa in armadi esterni o al di sotto di scaffalature utilizzate come vasca idromassaggio o termale, a meno che non riporti simboli in tal senso.

Nota: assicurarsi che la pompa sia fissata meccanicamente alla base dell'apparecchiatura.

Assicurarsi che il luogo in cui viene installata la pompa sia conforme ai seguenti requisiti:

1. Installare la pompa il più vicino possibile alla piscina o vasca termale. Per ridurre le perdite di carico e migliorare l'efficienza, utilizzare raccordi di aspirazione brevi e diretti.
2. Installare la pompa ad almeno 1,5 m dal bordo interno della piscina o vasca idromassaggio.
3. Installare la pompa ad una distanza minima di 1 m dal bocchettone del riscaldamento.
4. Non installare la pompa a più di 3 m al di sopra del livello dell'acqua.
5. Installare la pompa in un luogo ben ventilato, al riparo da fonti di eccessiva umidità, (come ad es. scarichi delle grondaie, irrigatori a spruzzo, ecc.).
6. Lasciare uno spazio libero di almeno 10 cm sul retro della pompa, in modo da consentire la facile rimozione del motore in caso di manutenzione o riparazione. Vedere **figura 1**.



Tubature

1. Per realizzare impianti di qualità superiore, utilizzare tubature da piscina di grandi dimensioni.
2. La tubatura lato aspirazione della pompa deve avere un diametro pari o superiore a quello del tubo di ritorno.
3. La tubatura lato aspirazione della pompa deve essere quanto più corta possibile.
4. Per la maggior parte delle installazioni, Pentair consiglia di installare una valvola sia sul tubo di aspirazione che su quello di ritorno, in modo che la pompa possa essere isolata durante la manutenzione di routine. Tuttavia, consigliamo anche di installare la valvola, il gomito o il raccordo a T del tubo di aspirazione a una distanza dal lato anteriore della pompa non inferiore a cinque (5) volte il diametro del tubo di aspirazione. Vedere **figura 2**.

Esempio: un tubo da 2,5" di diametro necessita deve avere una lunghezza rettilinea di 12,5" (31,8 cm) davanti all'ingresso di aspirazione della pompa. In questo modo, il riempimento sarà più rapido e la pompa avrà una durata di vita superiore.

Nota: NON installare gomiti a 90° direttamente all'ingresso e all'uscita della pompa.

Raccordi e valvole

1. Non installare gomiti a 90° direttamente all'ingresso della pompa.
2. I sistemi di aspirazione allagati devono essere provvisti di valvole a saracinesca installate sui tubi di aspirazione e di scarico per la manutenzione; in ogni caso, la valvola di aspirazione a saracinesca non deve essere installata a una distanza dalla pompa inferiore al diametro del tubo di aspirazione moltiplicato per 5, come descritto in precedenza.
3. Utilizzare una valvola di non ritorno nella linea di scarico quando si impiega la pompa per applicazioni in cui la tubatura dopo la pompa sia a un'altezza considerevole.
4. Assicurarsi di installare valvole di non ritorno quando l'installazione è in parallelo con un'altra pompa. Ciò consente di prevenire la rotazione inversa di girante e motore.

Requisiti elettrici

- Installare tutte le apparecchiature in conformità alla normativa elettrica nazionale e a tutte le leggi e le ordinanze locali vigenti.
- Integrare un dispositivo di disconnessione all'interno del cablaggio fisso, conformemente alle norme elettriche.



RISCHIO DI FOLGORAZIONE La pompa a velocità variabile deve essere installata da un elettricista qualificato o da un tecnico addetto alla manutenzione, in conformità alla normativa elettrica nazionale e a tutte le leggi e le ordinanze locali vigenti. Un'installazione non corretta determina il rischio di scosse elettriche che potrebbero causare la morte o gravi lesioni a carico di utenti, di installatori e di terzi, oltre che danni alle cose.



Scolleghere sempre la pompa dal circuito di alimentazione mediante l'interruttore principale, prima di iniziare qualsiasi intervento di riparazione sulla pompa. Il mancato rispetto di questa precauzione potrebbe causare lesioni da gravi a mortali ai tecnici dell'assistenza, agli utenti della piscina o a terzi, in seguito alle possibili scariche elettriche, e/o danni alle cose.

Leggere tutte le istruzioni relative alla manutenzione prima di intervenire sulla pompa.

Panoramica e installazione del cablaggio



L'alimentazione deve essere staccata quando si effettua l'installazione, la manutenzione o la riparazione di componenti elettrici. Tenere conto di tutti gli avvisi di sicurezza presenti sulle apparecchiature esistenti, sulla pompa e in queste istruzioni di installazione.

La pompa deve essere cablata in conformità alle normative e agli standard elettrici locali. Fare sempre riferimento alla normativa elettrica nazionale. La pompa deve essere installata da un elettricista qualificato.

La pompa accetta un'alimentazione in ingresso monofase da 99-253 V e 50 o 60 Hz. I collegamenti delle morsettiere sono effettuabili con filo pieno o a trefoli fino a 10 AWG. Ci sono anche connessioni rapide ad attivazione immediata; consultare in ogni caso la normativa elettrica locale per il metodo di connessione desiderato. Devono essere realizzate connessioni permanenti con il terminale di messa a terra (vedere **figura 3**) nello scomparto del cablaggio sul campo, in conformità alla normativa elettrica locale. Il controller del motore regolerà automaticamente la velocità della pompa durante il funzionamento a una tensione più bassa, per mantenere la corrente al di sotto dei 13,2 A. Non sono necessari cambi di cablaggio per far funzionare la pompa con una tensione nominale di 110 V; si utilizzano gli stessi terminali del cablaggio ad alta tensione.

Il convertitore funzionerà su impianti elettrici linea-linea-terra bifase e su impianti linea-neutro-terra. La pompa deve essere collegata in modo permanente a un interruttore di circuito, come specificato nella normativa elettrica locale.

1. Accertarsi che tutti gli interruttori e commutatori siano staccati prima di allacciare il motore alla rete elettrica. Attendere sempre cinque (5) minuti dopo aver tolto l'alimentazione alla pompa prima di aprire il convertitore o effettuare la manutenzione dello stesso.
2. Per la pompa, scegliere un filo di dimensioni conformi alla normativa elettrica nazionale e a tutte le leggi e le ordinanze locali vigenti. In caso di dubbio, utilizzare fili di diametro più grande. Accertarsi che la tensione del cablaggio rientri nell'intervallo di funzionamento.
3. Controllare che tutti i collegamenti elettrici siano puliti e serrati.
4. Tagliare i fili alla lunghezza giusta per evitare sovrapposizioni o contatti una volta collegati alla basetta.
5. Mettere a terra permanentemente il motore usando la vite di terra situata nella parte interna posteriore dell'interfaccia del controller (vedere **figura 3**). Utilizzare un filo conforme, per tipo e dimensioni, alle prescrizioni della normativa elettrica nazionale. Verificare che il filo di terra sia collegato a una messa a terra permanente per impianti elettrici.
6. Collegare il motore a tutti gli elementi metallici della struttura della piscina e a tutte le apparecchiature elettriche, i condotti e le tubature metalliche entro cinque piedi (1,5 m) dalle pareti interne della piscina, della vasca idromassaggio o termale, in conformità alla normativa elettrica nazionale vigente. UL

richiede l'uso di un conduttore pieno in rame da almeno 8 AWG. Vedere **figura 3**.

Nota: in Canada è richiesto un conduttore pieno in rame da almeno 6 AWG.

La pompa deve essere collegata in modo permanente a un interruttore automatico, a un timer bipolare o a un relè bipolare. Se l'alimentazione è collegata mediante un interruttore differenziale, utilizzare un interruttore dedicato che non abbia altri carichi elettrici.

8. Collegare permanentemente la pompa a un circuito. Non collegare luci o altre apparecchiature allo stesso circuito.

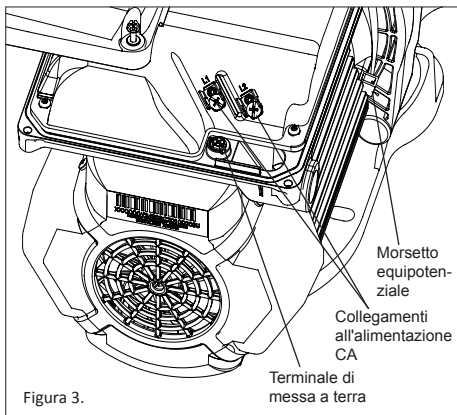


Figura 3.

Lo scomparto del cablaggio sul campo presenta un foro per condotto filettato NPT 1/2" per l'impermeabilità ai liquidi.

Va utilizzato un morsetto equipotenziale per collegare il telaio del motore alla base dell'apparecchiatura.

Controllo con comandi esterni e input digitali

L'utente può mettere in funzione la pompa a velocità variabile VS2 con comandi esterni automatizzati o con Pentair® ControlPro™, potendo controllare da remoto tutte e quattro le velocità programmate. La pompa è dotata di un connettore stagno, che può essere utilizzato con il cavo dati Pentair (optional, codice unico 353129Z) per gestire le velocità mediante input digitali. Quando è presente un segnale esterno a bassa tensione su una linea di input digitale della velocità, la pompa funziona alla velocità programmata per quell'input digitale. Il segnale +5 V fornito è l'input consigliato per i comandi esterni e gli input digitali della velocità.

Collegamento a comandi esterni

Uso del segnale a bassa tensione dell'alimentazione per il controllo digitale

La VS2 emette un segnale a bassa tensione che può essere utilizzato per attivarne gli input digitali. Il segnale dovrà essere attivato mediante il sistema dei comandi esterni, per inserire la velocità a cui è collegato, come in **figura 4**. Potrebbe essere un relè di automazione o un commutatore in un altro apparecchio. Questa funzionalità può essere utile per garantire che la pompa azioni un determinato programma quando serve una velocità specifica per svolgere un compito.

Il filo incluso con il cavo dati Pentair (optional, codice unico 353129Z) dovrà essere tagliato alla giusta lunghezza per l'installazione. Non lasciare filo in eccesso vicino all'apparecchio installato e, qualora non venga utilizzato un condotto, il filo va supportato con un elemento rigido. A un'estremità del cavo c'è una connessione sagomata e stagna, che si inserisce nel pannello lato del convertitore. All'estremità opposta ci sono 6 fili, descritti nella **tabella 1** in basso. Quando si usa il segnale +5 V fornito dal convertitore, le velocità vanno cablate come illustrato in **figura 4**.

Quando è presente un segnale a bassa tensione su una linea di input digitale della velocità, la pompa funziona alla velocità programmata per la velocità che viene innescata. Il segnale +5 V fornito attraverso il filo (rosso) è l'input consigliato per gli input digitali della velocità. Vedere **figura 4**.

Nota: qualsiasi relè può essere associato a qualsiasi input digitale. La **figura 4** mostra una delle tante opzioni di cablaggio possibili a disposizione dell'installatore, che consente di installare i comandi esterni nel modo più conforme alle esigenze di ciascuno.

Nota: questo segnale +5 V (filo rosso) è emesso esclusivamente dal convertitore e non va mai collegato a un'alimentazione elettrica diversa!

Quando viene innescato un input digitale della velocità, il LED sopra il pulsante **Velocità** inizia a lampeggiare e il display visualizzerà alternatamente il parametro e la dicitura "EC", a indicare che sono in funzione comandi esterni. La pompa funzionerà a questa velocità finché sarà presente l'input digitale. Ciò rigenererà il programma o eventuali input di selezione della velocità mediante tastierino da parte dell'utente. Il pulsante **Display** sarà comunque funzionale, insieme al pulsante **Start/Stop**. Una volta rimosso l'input digitale da tutti i fili degli input digitali della velocità, la pompa tornerà a seguire il programma.

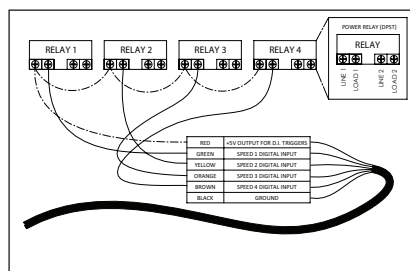


Figura 4:
Diagramma del cablaggio del kit di controllo esterno

Definizione	Intervallo di segnale	Colore filo
Output +5 V per input digitali	0 – 20 mA	Rosso
Input digitale velocità 1	0,5 – 30 V CA/CC	Verde
Input digitale velocità 2	0,5 – 30 V CA/CC	giallo
Input digitale velocità 3	0,5 – 30 V CA/CC	Aran- cione
Input digitale QuickClean	0,5 – 30 V CA/CC	Marrone
Messa a terra comune	0 V	Nero

Tabella 1:
Cablaggio di input del sistema di controllo automatizzato

Uso di un segnale a bassa tensione di provenienza esterna per il controllo esterno

Quando si utilizza un segnale a bassa tensione di provenienza esterna come input digitale, il filo deve essere collegato come illustrato in figura 5. L'input a bassa tensione deve essere nell'intervallo compreso fra 5 e 30 V CA o CC. In questo caso, non verrà utilizzato il filo rosso +5 V dei comandi del motore.

Nota: questo segnale +5 V (filo rosso) è emesso esclusivamente dal convertitore e non va mai collegato a una tensione di alimentazione!

Il segnale esterno a bassa tensione può essere regolato mediante commutatori o relè, per attivare l'input digitale desiderato. Se sono attivi più input digitali contemporaneamente, quello con priorità avrà la precedenza.

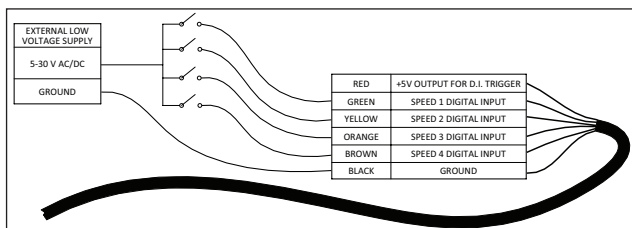


Figura 5: diagramma del cablaggio di alimentazione elettrica a bassa tensione

Nota: se la pompa è stata arrestata con il pulsante Start/Stop, non tornerà in funzione fino a una nuova pressione del medesimo pulsante. Se il LED Start/Stop è acceso, ciò indica che la pompa è attiva e funziona per mezzo di input digitali.

Nota: se sono presenti più impulsi a bassa tensione, l'ordine di priorità è il seguente: QuickClean, Velocità 3, Velocità 2 e poi Velocità 1.

Connessione a Pentair® ControlPro™

Se si desidera un'installazione controllata dall'esterno, Pentair® ControlPro™ può offrire una soluzione semplice per la gestione complessiva della piscina. La selezione della velocità sarà azionata da ControlPro™, tramite interfaccia. Per maggiori informazioni, consultare www.pentairpooleurope.com. La connessione va effettuata come illustrato in figura 6. Il corretto input a bassa tensione proviene da ControlPro™, pertanto la terra deve essere collegata al contatore. Quando si collega la pompa a velocità variabile a ControlPro™, consultare sempre il relativo manuale su www.pentairpooleurope.com.

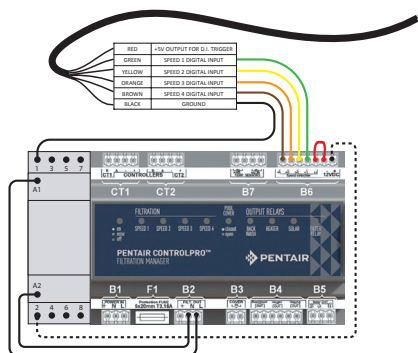


Figura 6: diagramma di cablaggio di ControlPro

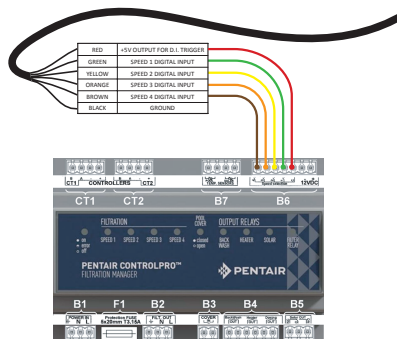


Figura 6: diagramma di cablaggio di ControlPro+

Modalità di controllo esclusivamente esterno

La modalità di controllo esclusivamente esterno consentirà alla pompa di essere gestita con comandi/input esclusivamente esterni. Quando questa modalità è attiva, il programma della pompa viene disattivato e le richieste di velocità effettuate dall'utente con il tastierino non vengono accettate. Se la pompa viene arrestata, l'utente può comunque programmare le velocità per tutti e quattro i pulsanti Velocità.

Per attivare la modalità di controllo esclusivamente esterno:

1. Arrestare la pompa premendo il pulsante **Start/Stop**.
2. Attivare la modalità di controllo esclusivamente esterno tenendo premuto il pulsante **Start/Stop** per 3 secondi.
3. La riuscita è confermata con l'accensione del LED accanto alla modalità di controllo esclusivamente esterno Vedi **figura 7**.
4. Il pulsante **Start/Stop** deve essere premuto di nuovo per mettere in funzione la pompa.



Figura 7: attivazione della modalità di controllo esclusivamente esterno

Per disattivare la modalità di controllo esclusivamente esterno:

1. Arrestare la pompa premendo il pulsante **Start/Stop**.
2. Disattivare la modalità di controllo esclusivamente esterno tenendo premuto il pulsante **Start/Stop** per 3 secondi.
3. La riuscita è confermata con l'accensione del LED accanto alla modalità di controllo esclusivamente esterno Vedere **figura 7**.
4. Il pulsante **Start/Stop** deve essere premuto di nuovo per mettere in funzione la pompa.

FUNZIONAMENTO DELLA POMPA

Impostazione orologio

La prima volta che la pompa sarà collegata all'elettricità, l'orologio lampeggerà, a indicare di non essere stato ancora impostato. Qualsiasi programma quotidiano impostato dall'utente è basato sull'impostazione dell'orologio, che quindi dovrà essere la prima operazione.

Per impostare l'orologio:

1. Tenere premuto il pulsante **Display** per tre secondi.
2. Usare le frecce "+" e "-" per scegliere tra il formato a 12 e a 24 ore.
3. Premere **Display** per proseguire nel menu di impostazione dell'orologio
4. Usare le frecce "+" e "-" per modificare l'ora finché non sia quella giusta. Nel formato a 12 ore, nell'angolo in basso a destra comparirà la dicitura AM/PM.
5. Premere **Display** per proseguire.
6. Usare le frecce "+" e "-" per regolare la luminosità della retroilluminazione dello schermo.
7. Premere **Display** per uscire dal menu di impostazione dell'orologio. A questo punto, l'orologio è impostato.

In caso di black-out, il convertitore mantiene in memoria l'impostazione dell'orologio fino a 24 ore. Se il black-out dura più di 24 ore, sarà necessario reimpostare l'orologio. Se il convertitore ha perso l'orario impostato dall'utente, l'orologio continuerà a lampeggiare fino alla nuova impostazione.

Una volta reimpostato, l'orologio smetterà di lampeggiare.

Nota: quando l'alimentazione della pompa viene ripristinata dopo un lungo black-out (oltre 24 ore), l'orologio si imposterà automaticamente all'orario d'inizio della Velocità 1, lampeggerà e proseguirà. Anche la pompa eseguirà il programma associato a partire da quell'orario d'inizio.

Uso del programma predefinito

Il programma predefinito è pensato per garantire un ricambio quotidiano sufficiente per una piscina tipica. Vedere **tabella 2** per il programma predefinito.

	Durata (ore)	Velocità (giri/min)
VELOCITÀ 1	2	3000
VELOCITÀ 2	10	1400
VELOCITÀ 3	2	2200

Tabella 2: programma predefinito.

La VELOCITÀ 1 è impostata per partire alle 8:00 e restare in funzione a 3000 giri/min per due ore. Una volta completata la fase a VELOCITÀ 1, la pompa aziona immediatamente la VELOCITÀ 2 predefinita. VELOCITÀ 2 è la modalità predefinita di fabbrica a 1400 giri/min e dura per 10 ore. Una volta completata la fase a VELOCITÀ 2, la pompa aziona la VELOCITÀ 3 a 2200 giri/min per una durata di due ore.

Dopo 14 ore di funzionamento e una volta completata la fase a VELOCITÀ 3, la pompa andrà in pausa per le 10 ore successive. La pompa si riavvierà il mattino successivo alle 8:00 ed eseguirà nuovamente il programma predefinito. La pompa continuerà a funzionare in questo modo finché l'utente non inserirà un programma diverso nel convertitore.

Nota: il pulsante **Start/Stop** deve essere premuto e il LED acceso affinché la pompa funzioni.

Programmi personalizzati

Per personalizzare il programma della pompa a velocità variabile VS2, la pompa deve essere arrestata. Accertarsi che il LED del pulsante **Start/Stop** sia spento.

Impostazione di un programma personalizzato:

Nota: durante l'impostazione del programma, la luce a LED accanto al parametro che si sta impostando ("Velocità", "Ora" e "Durata") lampeggerà.

1. Se la pompa è in funzione, premere il pulsante **Start/Stop** per arrestarla.
2. Premere il pulsante "1". Il LED sopra la velocità selezionata inizierà a lampeggiare e il LED del parametro "Velocità" lampeggerà durante la modifica. Vedi **figura 8**.



Figura 8: impostazione della velocità

3. Usare le frecce "+" e "-" per regolare la velocità in giri/min di VELOCITÀ 1.

Nota: la velocità viene aumentata o diminuita in incrementi di 10 giri/min.

4. Premere nuovamente il pulsante "1" e il display passerà all'orario di avvio della VELOCITÀ 1. Il LED del parametro "Ora" inizierà a lampeggiare. Vedere **figura 9**.



Figura 9: impostazione dell'orario di avvio

5. Usare le frecce "+" e "-" per regolare l'ora di inizio quotidiano di VELOCITÀ 1.
6. Premere nuovamente il pulsante "1" e il display passerà alla durata della VELOCITÀ 1. Il LED del parametro "Durata" inizierà a lampeggiare. Vedere **figura 10**.



Figura 10: impostazione della durata

7. Usare le frecce "+" e "-" per regolare la durata in ore e minuti di VELOCITÀ 1.

Nota: il parametro della durata viene regolato in incrementi di 15 minuti.

8. Premendo il pulsante "1" si continuerà a passare da un parametro all'altro, ma le modifiche verranno immediatamente salvate man mano che verranno effettuate.
9. Premere il pulsante "2". Il LED sopra a VELOCITÀ 2 inizierà a lampeggiare e il LED del parametro corrispondente lampeggerà durante la modifica.
10. Usare le frecce "+" e "-" per regolare la velocità in giri/min per VELOCITÀ 2.
11. Premere nuovamente il pulsante "2" e il display passerà alla durata della VELOCITÀ 2.

Nota: la VELOCITÀ 2 e 3 non hanno un orario di avvio, dal momento che iniziano immediatamente dopo la fine della VELOCITÀ precedente.

12. Usare le frecce "+" e "-" per regolare la durata in ore e minuti di VELOCITÀ 2.
13. Ripetere i passaggi 9-12 per programmare VELOCITÀ 3 e QUICKCLEAN.

Nota: va ricordato che la durata di VELOCITÀ 3 sarà limitata al tempo restante di una giornata di 24 ore. Durante gli orari della giornata di 24 ore non programmati nelle VELOCITÀ 1-3, la pompa rimarrà in pausa.

[VELOCITÀ 1 + VELOCITÀ 2 + VELOCITÀ 3 ≤ 24 ore]

14. Premere il pulsante **Start/Stop** e assicurarsi che il LED sia acceso. A questo punto la pompa è accesa e funzionerà secondo il programma personalizzato inserito dall'utente.

Nota: se la pompa è stata arrestata con il pulsante **Start/Stop**, non tornerà in funzione fino a una nuova pressione del medesimo pulsante. Se il LED **Start/Stop** è acceso, la pompa è attiva e funzionerà secondo il programma inserito.

Nota: se un utente desidera che la pompa non sia in funzione per parte della giornata, può programmare qualsiasi delle VELOCITÀ a 0 giri/min. In tal modo, la pompa rimarrà in pausa per tutta la durata di tale VELOCITÀ.

Priorità delle velocità (comandi non esterni)

Per le impostazioni di durata del programma, le VELOCITÀ hanno la seguente priorità: VELOCITÀ 1 -> VELOCITÀ 2 -> VELOCITÀ 3. La VELOCITÀ 1 ha la massima priorità, la VELOCITÀ 3 la minima.

Il convertitore non consentirà all'utente di impostare un programma di durata superiore a 24 ore. Quando viene programmata la 24ª ora di durata, verrà preso del tempo dalle velocità a priorità più bassa per aggiungerlo alla VELOCITÀ in corso di regolazione.

Esempio:

Programma iniziale (prima della regolazione)

Durata VELOCITÀ 1 = 20 ore

Durata VELOCITÀ 2 = 2 ore

Durata VELOCITÀ 3 = 2 ore

Se l'utente riprogramma la VELOCITÀ 1 a 23 ore, la VELOCITÀ 2 (che ha priorità inferiore) passerà automaticamente a una durata di un'ora e la VELOCITÀ 3 (che ha la priorità minima) passerà a una durata di 0 ore.

Programma finale (dopo la regolazione)

Durata VELOCITÀ 1 = 23 ore

Durata VELOCITÀ 2 = 1 ora

Durata VELOCITÀ 3 = 0 ore

Utilizzo della pompa durante il funzionamento

CAUTION

Se l'alimentazione è collegata al motore della pompa, premere uno qualsiasi dei pulsanti citati nella presente sezione può portare all'avvio del motore. Non tenere conto di ciò può portare a danni alle persone o alle cose.

- **Watt** — quantità di watt attualmente consumati

Premendo uno dei pulsanti della velocità ("1", "2", "3", "QuickClean") mentre la pompa è in funzione si otterrà una rigenerazione temporanea. Verranno inserite la velocità e la durata programmate per quel pulsante. Una volta concluso, la pompa tornerà di default al punto in cui il programma era stato interrotto.

Nota: regolando le velocità del programma quando la pompa è in funzionamento, la velocità così impostata verrà adottata per il resto della durata in corso ma la regolazione non sarà salvata. **Eccezione: le regolazione di velocità e durata in QUICKCLEAN saranno sempre salvate immediatamente.**

QuickClean

Se durante QuickClean si premono le frecce "+" o "-", la velocità cambierà di conseguenza. Premendo il pulsante **QuickClean** di nuovo, entro 10 secondi dalla pressione delle frecce "+" o "-", sarà possibile regolare la durata di QuickClean tramite le frecce "+" e "-". Tali modifiche saranno salvate immediatamente e saranno le nuove impostazioni predefinite di QuickClean. Premendo nuovamente il pulsante **QuickClean** si passerà da un'impostazione all'altra. La pompa uscirà dalla modalità di modifica nel caso che non vengano premuti altri pulsanti entro 10 secondi.

Se QuickClean è in corso e si desidera interromperlo anzitempo, è possibile tenere premuto il pulsante **QuickClean** per tre secondi e la pompa tornerà al punto in cui era stato interrotto il programma predefinito.

CAUTION

Su installazioni specifiche, alcune velocità potrebbero causare risonanza o rumore proveniente dalla pompa. Questo può essere risolto modificando leggermente le velocità.

Premendo il pulsante **Display** si passerà da un parametro attuale all'altro.

- **Velocità** — attuale velocità di funzionamento
- **Ora** — attuale ora del giorno
- **Durata** — tempo residuo all'attuale velocità

Adescamento



La pompa è spedita con la modalità Adescamento ABILITATA. A meno che le impostazioni dell'Adescamento non siano modificate nel menu, **è necessario ricordare che la pompa raggiungerà la velocità di adescamento quando viene alimentata per la prima volta e viene premuto il pulsante Start/Stop.**

Prima di accendere la pompa, assicurarsi che vengano rispettate le seguenti condizioni:

1. Valvola di sfogo dell'aria del filtro aperta.
2. Valvole aperte.
3. Ritorno della piscina completamente aperto e privo di ostruzioni.
4. Acqua nel cestello della pompa.
5. Distanza dal filtro o da altri recipienti pressurizzati.



NON azionare la pompa a secco. In caso di funzionamento a secco della pompa, la guarnizione meccanica verrà danneggiata e la pompa inizierà a perdere. In tal caso sarà necessario sostituire la guarnizione danneggiata. Mantenere SEMPRE il corretto livello dell'acqua nella piscina (il livello dell'acqua deve arrivare fino a metà della bocca di aspirazione dello skimmer). Se il livello dell'acqua scende al di sotto della bocca di aspirazione dello skimmer, la pompa aspirerà aria attraverso lo skimmer, perdendo l'adescamento e provocando il funzionamento a secco, con conseguente danneggiamento della tenuta. Il funzionamento prolungato in queste condizioni potrebbe provocare una perdita di pressione, con conseguente danneggiamento all'alloggiamento della pompa, alla girante e alla guarnizione e potenziali danni alle cose e alle persone.

L'adescamento avverrà automaticamente quando la pompa a velocità variabile VS2 sarà avviata da ferma, con l'eccezione della modalità QuickClean. L'adescamento avverrà a 2850 giri/min per impostazione predefinita e durerà per cinque minuti. Lo schermo del convertitore visualizzerà ciclicamente i seguenti elementi: "Pr1 - Priming Speed, Pr1 -- Remaining Time".

Una volta avviato l'adescamento, la velocità potrà essere regolata fra 3450 e 1700 giri/min utilizzando le frecce "+" e "-". Se viene regolata al di sotto dei 1700 giri/min, la modalità di adescamento sarà disabilitata e la pompa inizierà immediatamente a funzionare alla velocità programmata.

Quando l'adescamento è disabilitato e la pompa viene avviata da fermo, lo schermo visualizzerà la dicitura "Pr1 - OFF" per 10 secondi durante il funzionamento alla velocità programmata (vedere figura 11). Ciò lascia all'utente il tempo di abilitare la modalità di adescamento premendo la freccia "+". Se l'utente decide di riabilitare la modalità di adescamento, la pompa passa dalla velocità programmata a 1700 giri/min. L'utente può aumentare la velocità di adescamento da 1700 giri/min premendo la freccia "+". Il timer con conto alla rovescia di cinque minuti per l'adescamento parte nel momento in cui l'adescamento viene innestato.

L'installatore deve impostare una velocità di adescamento sufficiente per adescare una pompa appena installata, ma non talmente elevata da causare un forte spreco di energia durante la finestra di adescamento di cinque minuti. Il tempo necessario alla pompa per adescare può variare a seconda delle condizioni ambientali locali, come la temperatura dell'acqua, la pressione atmosferica e il livello dell'acqua nella piscina. Tutti questi aspetti vanno presi in considerazione quando si imposta la velocità di adescamento; tuttavia, nella maggior parte dei casi la pompa non dovrà raggiungere i 2850 giri/min per adescare.

Testare e verificare le velocità di adescamento scelte più di una volta, lasciando che l'acqua esca dal sistema fra un test e l'altro.

Nota: il cestello del filtro della pompa deve sempre essere pieno fino al fondo dell'entrata in modo da prevenire l'ingresso di aria nel sistema.

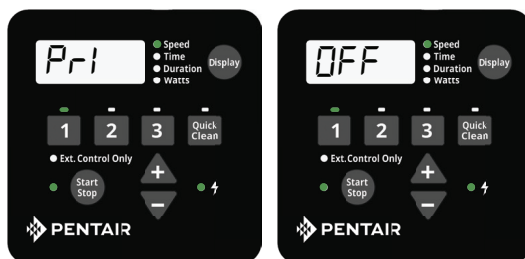


Figura 11: disattivazione dell'adescamento

QuickClean

La pompa a velocità variabile VS2 è dotata di una funzionalità QuickClean, che può essere attivata per farla funzionare temporaneamente a velocità superiori o inferiori fra 300 e 3450 giri/min. Una volta trascorsa la durata di QuickClean, la pompa tornerà automaticamente al programma impostato.

Programmazione di QuickClean:

1. Se la pompa è in funzione, premere il pulsante **Start/Stop** per arrestarla.
2. Premere il pulsante **QuickClean**. Il LED sopra il pulsante **QuickClean** e quello sopra il parametro "Velocità" lampeggeranno durante la modifica. Vedere **figura 12**.



Figura 12: impostazione della velocità di QuickClean

3. Usare le frecce "+" e "-" per regolare la velocità in giri/min di QuickClean.
4. Premere nuovamente il pulsante **QuickClean** e il display passerà alla durata di QuickClean. Il LED del parametro "Durata" lampeggerà durante la modifica. Vedere **figura 13**.

Nota: la funzionalità QuickClean non ha un orario di avvio.



Figura 13: impostazione della durata di QuickClean

5. Usare le frecce "+" e "-" per regolare la durata in ore e minuti di QuickClean.
6. Premere il pulsante **Start/Stop** e assicurarsi che il LED sia acceso. A questo punto, la pompa è accesa e funzionerà alla velocità e per la durata impostate per QuickClean.

Nota: quando la durata di QuickClean si conclude, la pompa riprende il programma di 24 ore nel punto a cui sarebbe normalmente arrivato in quell'orario. La durata di QuickClean non avrà effetto sugli orari di avvio e di arresto del programma di 24 ore. Ad esempio, se QuickClean è in azione in un intervallo di tempo che si sovrappone all'ultima parte della VELOCITÀ 1 e alla prima parte della VELOCITÀ 2, l'orario di avvio della VELOCITÀ 3 non ne è influenzato.

Nota: tenere premuto il pulsante QuickClean per più di tre (3) secondi annullerà la modalità QuickClean.

Nota: durante la modalità QuickClean, la pompa non si avvierà con la sequenza di adescamento.

Nota: si consiglia di non impostare la durata di QuickClean a 0 ore. Impostando la durata di QuickClean a 0 ore, non sarebbe possibile modificare l'impostazione della durata con il motore in funzione. Il motore dovrà essere arrestato per modificare le impostazioni di QuickClean nel caso in cui la durata sia impostata a 0 ore.

Blocco del tastierino

CAUTION

Il blocco del tastierino non impedirà di arrestare il motore premendo il pulsante Start/Stop. Sarà poi impossibile riavviarlo finché non venga sbloccato il tastierino. Se il motore è in funzione in modalità tastierino bloccato e viene controllato tramite comandi esterni, può funzionare solo quando il LED Start/Stop è acceso.

L'interfaccia utente della pompa a velocità variabile VS2 dispone di una funzionalità di blocco del tastierino per prevenire modifiche indesiderate alle impostazioni. Quando è bloccato, il tastierino accetta solo l'input della pressione del pulsante **Display** per far scorrere le informazioni sullo schermo e del pulsante **Start/Stop** per arrestare il motore.

Il tastierino può essere bloccato tenendo premuti i pulsanti "1" e **QuickClean** contemporaneamente per almeno tre secondi. In caso di esito positivo, comparirà la dicitura "Loc On".

Per sbloccare il tastierino, tenere premuti i pulsanti "1" e **QuickClean** contemporaneamente per almeno tre secondi. In caso di esito positivo, comparirà la dicitura "Loc OFF".

Nota: durante la modalità blocco tastierino, è comunque possibile arrestare il motore premendo il pulsante **Start/Stop**. Tuttavia, non sarà possibile riavviare il motore finché l'utente non abbia sbloccato il tastierino.

Ripristino delle impostazioni di fabbrica

È possibile riportare il convertitore alle impostazioni di fabbrica, se necessario. Il ripristino delle impostazioni di fabbrica cancella tutte le impostazioni salvate dall'utente che sono state programmate, a eccezione dell'ora. Prima di effettuare il ripristino delle impostazioni di fabbrica, accertarsi che sia necessario, dal momento che gli effetti sono immediati.

Per ripristinare le impostazioni di fabbrica:

1. Arrestare la pompa se necessario, premendo il pulsante **Start/Stop**.
2. Registrare tutte le impostazioni di programma personalizzate usando la **Tabella 3**. È possibile individuare tali impostazioni premendo i pulsanti "1", "2", "3" e "QuickClean" e scorrendo tutte le schermate. Annotare anche la velocità di adescamento.
3. Tenere premuti i pulsanti "1", "2", "3" e "QuickClean" per tre secondi.
4. Sullo schermo comparirà la dicitura "FACT rSt" in caso di esito positivo. Vedere **figura 14**.
5. Assicurarsi di reinserire il programma e la velocità di adescamento dopo il ripristino delle impostazioni di fabbrica. La pompa deve essere riavviata con il pulsante **Start/Stop** per riprendere a funzionare. Al primo avvio, la pompa eseguirà il programma inserito.

Nota: il ripristino delle impostazioni di fabbrica non può essere eseguito dalla modalità di blocco del tastierino.



Figura 14: ripristino delle impostazioni di fabbrica del convertitore

	Velocità (giri/min)	Durata (ore)	Ora d'avvio (Orologio)
VELOCITÀ 1			
VELOCITÀ 2			
VELOCITÀ 3			
QUICKCLEAN			
Velocità di adescamento			

Tabella 3: programmi impostati dall'utente



WARNING NON aprire il portafiltro se la pompa a velocità variabile VS2 non ha portato a termine l'adescamento o se è stata in funzione senza acqua nel portafiltro. In questi casi infatti è possibile che si verifichi un aumento di pressione dovuto al vapore con conseguente presenza di acqua rovente all'interno della pompa. L'apertura della pompa in questo momento potrebbe provocare gravi lesioni personali. Per scongiurare questo rischio, aprire le valvole di aspirazione e di mandata, e attendere che il portafiltro sia freddo, quindi aprire il filtro con estrema cautela.



CAUTION Per evitare di danneggiare la pompa e per assicurare il corretto funzionamento dell'impianto, pulire regolarmente il filtro di aspirazione della pompa e i cestelli che raccolgono lo sporco superficiale (skimmer).

Cestello del prefiltro della pompa

Il cestello del prefiltro della pompa si trova di fronte alla coclea. All'interno della camera si trova un cestello che deve essere tenuto sempre pulito da foglie e detriti. Osservando il cestello dallo spioncino è possibile controllare la presenza di foglie e detriti.

Indipendentemente dall'intervallo di pulizia del filtro, è molto importante controllare il cestello almeno una volta a settimana.

Pulizia del cestello del filtro della pompa

1. Premere il pulsante **Start/Stop** per arrestare la pompa e spegnerla mediante l'interruttore principale.
2. Ridurre la pressione nell'impianto consentendo all'acqua di raffreddarsi.
3. Muovere delicatamente il morsetto in senso antiorario per rimuovere il morsetto stesso e il coperchio.
4. Rimuovere i detriti e sciacquare il cestello. Sostituire il cestello se è danneggiato.
5. Rimettere il cestello nell'alloggiamento. Assicurarsi di allineare la tacca sul fondo del cestello alla nervatura in fondo alla coclea.
6. Riempire d'acqua il portafiltro e la coclea fino al foro d'entrata.
7. Pulire il coperchio, l'O-ring e la superficie di tenuta del portafiltro. **Nota:** è importante tenere pulito e ben lubrificato l'O-ring del coperchio.
8. Reinstallare il coperchio posizionandolo sul portafiltro. Assicurarsi che l'O-ring del coperchio sia in posizione corretta. Inserire il morsetto e il coperchio sulla pompa, poi ruotarli in senso orario finché le maniglie si trovino in posizione orizzontale.
9. Attivare l'alimentazione mediante l'interruttore domestico principale. Regolare l'orologio della piscina sull'ora esatta, se necessario.
10. Aprire la valvola manuale di sfogo dell'aria sopra il filtro.
11. Allontanarsi dal filtro. Avviare la pompa.
12. Lasciar fuoriuscire l'aria dal filtro fino ad avere un flusso d'acqua regolare. Chiudere la valvola manuale di sfogo dell'aria.

Rimessaggio invernale

L'utente ha la responsabilità di stabilire quando possano verificarsi condizioni climatiche gelide. Se sono previste condizioni del genere, adottare le seguenti misure per ridurre il rischio di danni da gelo. **I danni da gelo non sono coperti dalla garanzia.**

Per evitare danni provocati dal gelo, attenersi alle seguenti procedure:

1. Premere il pulsante **Start/Stop** per arrestare la pompa e scollegarla dall'alimentazione mediante l'interruttore principale.
2. Eliminare l'acqua dall'alloggiamento della pompa rimuovendo dallo stesso i due tappi di scarico a serraggio manuale. Conservare i tappi nel cestello della pompa.
3. Coprire il motore per proteggerlo da pioggia intensa, neve e ghiaccio.

Nota: non avvolgere il motore in teli di plastica o in altri materiali non traspiranti durante il rimessaggio invernale. Il motore può essere coperto durante i temporali, per il rimessaggio invernale ecc., ma mai quando è in funzione o quando si prevede di utilizzarlo a breve.

Nota: Nelle zone a clima temperato, dove le gelate si verificano solo occasionalmente, lasciare in funzione i dispositivi di filtrazione per tutta la notte per evitare il congelamento.



QUESTO IMPIANTO FUNZIONA A PRESSIONE

ELEVATA. Quando una parte qualunque dell'impianto di circolazione (ad es. anello di fermo, pompa, filtro, valvole, ecc.) viene sottoposta a manutenzione, potrebbe verificarsi l'infiltrazione e la pressurizzazione di aria nell'impianto. L'aria pressurizzata può far saltare il coperchio, con conseguenti gravi infortuni, decessi o danni alle cose. Per evitare tale rischio potenziale, attenersi alle precedenti istruzioni.



MANUTENZIONE

⚠ WARNING Scollegare sempre l'alimentazione alla pompa a velocità variabile VS2 mediante l'interruttore principale e scollegare il cavo di comunicazione prima di effettuare interventi di manutenzione sulla pompa. Il mancato rispetto di questa precauzione potrebbe causare lesioni da gravi a mortali al personale dell'assistenza, agli utenti o a terzi, in seguito a folgorazione. Leggere tutte le istruzioni relative alla riparazione prima di intervenire sulla pompa.

⚠ WARNING **NON** aprire il portafiltro se la pompa non ha portato a termine l'adescamento o è stata in funzione senza acqua nel portafiltro. In questi casi infatti è possibile che si verifichi un aumento di pressione dovuto al vapore con conseguente presenza di acqua rovente all'interno della pompa. L'apertura della pompa in questo momento potrebbe provocare gravi lesioni personali. Per scongiurare questo rischio, aprire le valvole di aspirazione e di mandata, e attendere che il portafiltro sia freddo, quindi aprire il filtro con estrema cautela.

⚠ CAUTION Non graffiare o rovinare le superfici di tenuta lucidate dell'albero; la tenuta perde se le superfici sono danneggiate. Le superfici lucidate e lappate della tenuta possono rovinarsi se non sono trattate con la dovuta cura.

Cura del motore elettrico

Protezione dal calore

1. Proteggere il motore dal sole.
2. Qualsiasi ambiente chiuso deve essere ben ventilato per prevenirne il surriscaldamento.
3. Garantire una buona ventilazione trasversale.

Protezione dallo sporco

1. Proteggere da corpi estranei.
2. Non conservare (o versare) i prodotti chimici in prossimità del motore.
3. Non disperdere o sollevare la polvere in prossimità del motore quando è in funzione.
4. I danni al motore causati dallo sporco possono annullare la garanzia sul motore.
5. Pulire il coperchio e il morsetto di tenuta, l'O-ring e la superficie sigillante del prefiltro.

Protezione dall'umidità

1. Proteggere da schizzi o spruzzi d'acqua.
2. Proteggere da fenomeni meteorologici estremi, come gli allagamenti.
3. Se le parti interne del motore si sono bagnate, lasciarle asciugare prima di metterle in funzione. Non avviare la pompa se sommersa dall'acqua.
4. I danni al motore causati dall'acqua possono annullare la garanzia del motore.

Sostituzione della guarnizione dell'albero

La guarnizione dell'albero è composta da due elementi principali: un elemento rotante e una guarnizione di ceramica.

La pompa non richiede particolari interventi al di fuori della normale manutenzione; tuttavia, se la tenuta dell'albero è danneggiata, deve essere sostituita.

Nota: Le superfici lucidate e lappate della tenuta possono rovinarsi se non sono trattate con la dovuta cura.

Smontaggio della pompa

Tutti le parti in movimento sono ubicate nel sottogruppo posteriore della pompa.

Utensili necessari:

- Boccola da 1/4" o chiave aperta.
- Boccola da 3/8" o chiave aperta.
- Chiave aperta da 9/16"
- Chiave a brugola da 1/4"
- Cacciavite a testa piatta

Per rimuovere e riparare il sottogruppo del motore, attenersi alla seguente procedura:

1. Premere il pulsante **Start/Stop** per arrestare la pompa e spegnerla mediante il relativo interruttore sul pannello principale.
2. Svuotare la pompa togliendo i tappi di scarico.
3. Rimuovere i quattro bulloni che fissano il corpo principale della pompa (prefiltro/coclea) al sottogruppo posteriore.
4. Aprire **DELICATAMENTE** le due metà della pompa, rimuovendo il sottogruppo posteriore.
5. Rimuovere le tre viti a testa esagonale che fissano il diffusore in posizione.
6. Tenere saldamente la girante e rimuovere la sua vite di fissaggio con un cacciavite spaccato o una chiave. La vite ha filettatura sinistrorsa e si allenta girandola in senso orario.
7. Per svitare la girante dall'albero, inserire una chiave a brugola da 1/4" al centro del coperchio della ventola del motore e ruotare la girante in senso antiorario.
8. Con una chiave da 9/16", rimuovere i quattro bulloni dalla piastra di tenuta sul motore.
9. Appoggiare la piastra di tenuta a faccia in giù su una superficie piana e far uscire la guarnizione in ceramica picchiettando delicatamente con le dita.
10. Pulire la piastra di tenuta, la sede della tenuta e l'albero motore.

⚠ CAUTION **NON azionare la pompa a secco.** In caso di funzionamento a secco della pompa, la guarnizione meccanica verrà danneggiata e la pompa inizierà a perdere. In tal caso sarà necessario sostituire la guarnizione danneggiata. Mantenere **SEMPRE** il giusto livello di acqua. Se il livello dell'acqua scende al di sotto del foro di aspirazione, la pompa aspirerà aria attraverso lo stesso, perdendo l'adescamento e provocando il funzionamento a secco, con conseguente danneggiamento della tenuta. Il funzionamento prolungato in queste condizioni potrebbe provocare una perdita di pressione, con conseguente danneggiamento all'alloggiamento della pompa, alla girante e alla guarnizione e danni alle cose e alle persone.

Riassemblaggio della pompa

1. Quando si installa la guarnizione sostitutiva nella relativa piastra di tenuta, utilizzare acqua saponata per bagnare la gomma prima di inserirla nella piastra.
2. Rimontare la piastra sigillante sul motore.
3. Prima di installare la parte rotante della guarnizione sull'albero del motore, bagnare l'albero con acqua saponata e far scorrere la guarnizione sull'albero del motore. Assicurarsi che la superficie in carbonio sia a contatto con quella in ceramica della sede fissa. Inserire la guarnizione nella piastra di tenuta facendo pressione con i pollici e passare un panno pulito sulle superfici di ceramica.
4. Avvitare la girante sull'albero del motore (in senso orario per stringerla).
5. Avvitare la vite di blocco della girante (in senso antiorario per stringerla).
Nota: inserire una brugola esagonale da 1/4" nell'albero del motore attraverso il foro sul retro del coperchio della ventola del motore. Ciò impedirà all'albero del motore di ruotare e darà la possibilità di avvitare la vite di fissaggio della girante.
6. Rimontare il diffusore sulla piastra sigillante. Le spinette in plastica e gli inserti delle vite di fissaggio devono essere allineati.
7. Ingrassare il Quad-ring del diffusore e l'O-ring della piastra di tenuta prima del riassemblaggio.
8. Montare la subunità del motore al portafiltro e al corpo della pompa. Serrare con le dita i quattro bulloni finché siano in posizione.
9. Riempire la pompa con acqua.
10. Reinstallare il coperchio della pompa e l'anello di fermo in plastica; si veda la prossima sezione, "Istruzioni per il riavvio".
11. Eseguire un nuovo adescamento.

Istruzioni per il riavvio

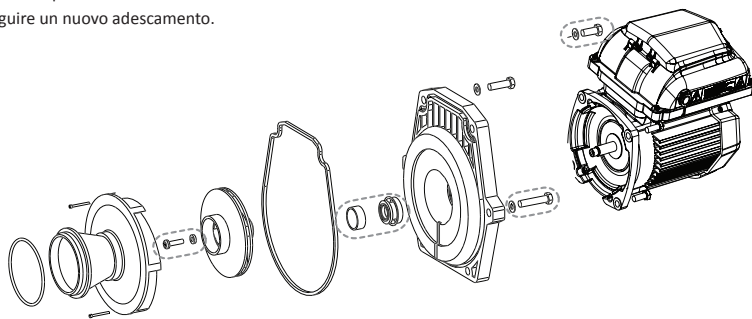
Se la pompa a velocità variabile VS2 è installata sotto il livello dell'acqua della piscina, chiudere i condotti di aspirazione e ritorno prima di aprire il portafiltro per capelli e lanugine. Riaprire le valvole prima di mettere in funzione la pompa.

Adescamento della pompa

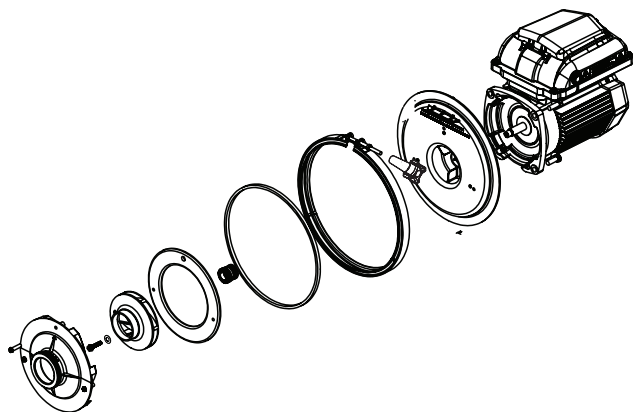
Il prefiltro della pompa deve essere riempito d'acqua prima dell'avvio iniziale della pompa.

Per eseguire l'adescamento della pompa seguire i passaggi di seguito illustrati:

1. Rimuovere l'anello di fermo in plastica del coperchio della pompa. Rimuovere il coperchio della pompa.
2. Riempire il prefiltro con acqua.
3. Riposizionare il coperchio della pompa e l'anello di fermo in plastica sul prefiltro. La pompa è pronta per l'adescamento.
4. Aprire la valvola di sfogo dell'aria e allontanarsi dal filtro.
5. Attivare l'alimentazione della pompa.
6. Premere il pulsante **Start/Stop** sul tastierino del convertitore. Se il funzionamento della pompa è programmato, si avvierà.
Nota: se il funzionamento della pompa non è programmato, premere un pulsante **Velocità** per dare il via a una rigenerazione manuale che avvierà la pompa.
7. All'uscita dell'acqua dalla valvola di sfogo dell'aria, chiudere la valvola. A questo punto, l'impianto dovrebbe essere privo di aria e acqua in ricircolo da e verso la piscina.



Gruppo motore di WhisperFlo VS2



Gruppo motore di Challenger VS2

RICERCA GUASTI



La diagnosi di determinati sintomi può richiedere un'interazione ravvicinata o comunque una certa prossimità a componenti alimentati con energia elettrica. Il contatto con la corrente elettrica può essere causa di decesso, lesioni o danni alle cose. Quando si effettua la ricerca guasti sulla pompa, la diagnostica relativa al comparto elettrico deve essere seguita da un professionista certificato.

Problema	Probabile causa	Soluzione
Guasto della pompa.	<p>La pompa non adesca — perdita d'aria, troppa aria.</p> <p>La pompa non adesca- acqua insufficiente.</p> <p>Guarnizione del prefiltro della pompa ostruita.</p> <p>Guarnizione del prefiltro difettosa.</p>	<p>Controllare tubi di aspirazione e presse delle valvole di aspirazione a saracinesca. Fissare il coperchio del prefiltro e accertarsi che il coperchio della guarnizione sia correttamente posizionato. Controllare il livello dell'acqua per verificare che lo skimmer non aspiri aria.</p> <p>Controllare che i tubi di aspirazione, pompa, prefiltro e coclea della pompa siano pieni d'acqua. Assicurarsi che la valvola sul condotto di aspirazione sia funzionante e aperta (alcuni impianti sono privi di valvola). Controllare il livello dell'acqua per accertarsi che l'acqua sia presente nello skimmer.</p> <p>Pulire il prefiltro.</p> <p>Sostituire la guarnizione.</p>

Ricerca guasti (segue)

<p>Capacità e/o carico ridotto.</p>	<p>Sacche d'aria o infiltrazioni nei condotti di aspirazione.</p> <p>Girante ostruita.</p> <p>Filtro di aspirazione intasato.</p>	<p>Controllare tubi di aspirazione e presse delle valvole di aspirazione a saracinesca. Fissare il coperchio del prefiltro e accertarsi che il coperchio della guarnizione sia correttamente posizionato. Controllare il livello dell'acqua per verificare che lo skimmer non aspiri aria.</p> <p>Disattivare l'alimentazione della pompa.</p> <p>Smontare (si veda pagina 14, "Smontaggio della pompa")</p> <p>Rimuovere i detriti dalla girante. Se non è possibile rimuovere i detriti, procedere come segue:</p> <ol style="list-style-type: none"> 1. Rimuovere il bullone a vite sinistra anti-torsione e l'O-ring. 2. Rimuovere, pulire e reinstallare la girante. <p>Smontare (si veda pagina 15, "Rimontaggio della pompa")</p> <p>Pulire il filtro di aspirazione.</p>
<p>La pompa non si avvia.</p>	<p>Non è presente tensione di rete.</p> <p>L'albero della pompa è bloccato.</p> <p>L'albero della pompa è danneggiato.</p>	<ol style="list-style-type: none"> 1. Sostituire il fusibile, ripristinare l'interruttore/interruttore automatico differenziale. 2. Serrare le connessioni del cablaggio alla rete. <p>Verificare che sia possibile ruotare la pompa a mano e rimuovere eventuali ostacoli.</p> <p>Sostituire la pompa.</p>
<p>La pompa funziona e poi si arresta.</p>	<p>GUASTO da sovratemperatura</p> <p>GUASTO da sovracorrente</p>	<p>Verificare che il retro della pompa sia sgombro da sporco e detriti. Pulire con aria compressa.</p> <p>La pompa si riavvierà automaticamente dopo un (1) minuto.</p>
<p>La pompa è rumorosa.</p>	<p>Detriti a contatto con la ventola</p> <p>Detriti nel cestello del filtro</p> <p>Montaggio non adeguatamente serrato</p>	<p>Verificare che il retro della pompa sia sgombro da sporco e detriti. Pulire con aria compressa.</p> <p>Pulire il cestello del filtro.</p> <p>Verificare che i bulloni di montaggio della pompa e la pompa siano serrati.</p>
<p>Problema</p>	<p>Probabile causa</p>	<p>Soluzione</p>
<p>La pompa funziona ma non c'è flusso.</p>	<p>La girante è allentata</p> <p>Perdita d'aria</p> <p>Tubature intasate o otturate</p>	<p>Verificare che la pompa giri osservando la ventola sul retro della pompa a velocità variabile VS2. Se gira, verificare la corretta installazione della girante.</p> <p>Verificare le connessioni delle tubature e accertarsi che siano serrate.</p> <p>Verificare eventuali ostruzioni nel filtro o nelle tubature lato aspirazione.</p> <p>Verificare eventuali ostruzioni nelle tubature di scarico, valvole parzialmente otturate o filtro della piscina sporco.</p>

Errori e allarmi

Se scatta un allarme, lo schermo LCD del convertitore visualizzerà il codice di guasto e la pompa a velocità variabile V52 smetterà di funzionare. Scollegare l'alimentazione e attendere finché i LED del tastierino non si siano spenti tutti. A questo punto, ricollegare l'alimentazione. Se l'errore è ancora presente, sarà necessaria una vera e propria ricerca del guasto. Usare la tabella di descrizione degli errori qui sotto per dare inizio alla ricerca del guasto.

Fault Code	Description
21	Communication link between HMI and motor control has been lost
1A	Power Module over current detected
17	Phase Current Offset out of range
1b	Phase Current Imbalance detected
0F	Absolute AC under voltage detected
02	Absolute Phase current limit exceeded
08	Absolute Diode Bridge temperature limit exceeded
04	Absolute Power Module temperature limit exceeded
06	Absolute Power Factor Correction (PFC) temperature limit exceeded
09	DC bus over voltage detected
0A	DC bus under voltage detected

21 – La linea di comunicazione fra interfaccia uomo macchina (HMI) e comandi del motore è stata interrotta: controllare il filo rivestito sul lato posteriore del tastierino, sotto il coperchio superiore del convertitore. Assicurarsi che il connettore a cinque poli sia correttamente inserito nella presa e che il cavo non sia danneggiato.

1A – Sovraccorrente del modulo di alimentazione rilevata: se questo errore viene visualizzato più volte, potrebbe esserci un problema relativo al rotore della pompa. Smontare la pompa e verificare eventuali problemi della girante o della guarnizione meccanica. Consultare la sezione “Smontaggio della pompa” a pagina 14 per istruzioni.

0F – Sottotensione CA assoluta rilevata: indica che la tensione dell'alimentazione è scesa al di sotto del limite operativo di 99 V. La causa potrebbe essere una normale variazione di tensione, nel qual caso il problema si risolverà da solo. In alternativa, l'eccessivo calo di tensione potrebbe essere stato causato da un errore nell'installazione o da una tensione dell'alimentazione impropria.

17, 1b, 02, 08, 04, 06, 09, 0A – Errori interni: questi errori possono verificarsi in base alle condizioni di funzionamento e al software autodiagnostico di sicurezza obbligatorio UL 60730. Se dopo vari tentativi di riavvio sono ancora presenti, il convertitore va sottoposto a hard reset. Scollegare l'alimentazione utilizzando l'interruttore, per un tempo sufficiente a far spegnere tutti i LED del tastierino. Se, dopo aver ricollegato l'alimentazione, uno di questi errori continua ad apparire, il convertitore potrebbe avere bisogno di riparazioni.

Specifiche della pompa

Caratteristiche nominali generali

Tensione in ingresso	115 - 230 Vrms nominale
Corrente in ingresso	13,2/12,0 – 11,5 A
Frequenza in ingresso	Monofase, 50 o 60 Hz
Terminali di controllo	18 - 30 V CA (24 V CA +/- 20%) o 9 - 30 V CC (12/24 V CC +/- 20%)
Carico continuo massimo	2,0 THP (Total Horse Power)
Intervallo di velocità	300 - 3450 giri/min
Certificazione ambientale	NEMA Tipo 3
Condizioni ambiente	
Rimessaggio	Da -40 °C a +85 °C (da -40 °F a +185 °F)
Funzionamento	Da 0 °C a +50 °C (da +32 °F a +122 °F)
Umidità	Relativa da 0 a 95% non condensante

SAVE THESE INSTRUCTIONS !



PENTAIR AQUATIC SYSTEMS

AVENUE DE SEVELLIN 18 - CH-1004 LAUSANNE - SWITZERLAND
WWW.PENTAIRPOOLEUROPE.COM

Copyright – Limited License: except as specifically permitted herein, no portion of the content on this document may be reproduced in any form or by any mean without the prior written permission of Pentair International SRL.

Copyright – Eingeschränkte Lizenz: soweit hierin nicht ausdrücklich zugelassen, dürfen die Inhalte dieses Dokuments ohne vorausgehende schriftliche Genehmigung der Pentair International SRL weder ganz noch auszugsweise und in gleich welcher Form und mit welchen Mitteln vervielfältigt werden.

Copyright – Beperkte licentie: behalve zoals hierin specifiek toegestaan, mag geen enkel deel van de inhoud van dit document op om het even welke manier of hoe dan ook gereproduceerd worden zonder de voorafgaande schriftelijke toestemming van Pentair International SRL.

Copyright – Licence limitée: sauf expressément autorisé ci-après, aucune partie du contenu de ce document ne peut être reproduite sous toute forme ou par tout moyen sans la permission écrite préalable de Pentair International SRL.

Copyright – Licencia limitada: salvo en lo expresamente permitido en el presente documento, se prohíbe la reproducción total o parcial del mismo por cualquier medio sin la previa autorización por escrito de Pentair International SRL.

Copyright – Licenza limitata: se non indicato specificatamente di seguito, nessuna porzione del contenuto di questo documento può essere riprodotta in qualsiasi forma o con qualsiasi mezzo senza preventiva autorizzazione scritta di Pentair International SRL.