



INTELLITEMP HEAT PUMP

A TECHNOLOGICAL JEWEL
ENHANCED BY ITS DESIGN

- The most autonomous heat pump ever designed
- A design in harmony with the most beautiful gardens and pools
- Quiet high performance up to -15°C



IntelliTemp: a unique Pentair innovation in symbiosis with your pool



Until now, pool owners and installers have been forced to manually adjust the bypass of their heat pump according to outdoor conditions. Now there is a fully automatic solution: thanks to its unique integrated variable flow technology, the IntelliTemp pump adapts to the water flow rate of your filtration system every 15 minutes. In this way, the best heating performance is guaranteed in all conditions with complete peace of mind.

► **THE ONLY HEAT PUMP THAT AUTOMATICALLY ADAPTS TO THE LIFE OF YOUR POOL**

Compatible with all pools, IntelliTemp is easy to install and works without manual intervention thanks to its **automatic flow adjustment valve**.

► **DESIGN AND MODERNITY BY THE POOL**

Its vertical high-end design with neat finishes and its low footprint allow the IntelliTemp to find its place in the most beautiful gardens. Its state-of-the-art control mode is done remotely via Wi-Fi or 4G connection (optional).

► **OPTIMAL AND QUIET HEATING IN ALL CONDITIONS**

IntelliTemp offers you **optimised energy savings of up to 20%** thanks to its variable flow rate technology that adapts to the conditions, always guaranteeing you the best energy performance factor. Its **full inverter technology** that combines inverter compressor and variable speed fan allows quiet operation up to -15°C .



160 m³

A state-of-the-art heat pump that revolutionises your swimming pool

+ Hyper-optimised operating cost

Up to 20% energy saved thanks to the automatically adjusted flow rate, avoiding waste

+ Little space needed

Its vertical design allows it to be installed in narrow spaces

+ Silence by the pool

IntelliTemp is one of the quietest heat pumps on the market

+ High performance up to -15°C

Thanks to full inverter technology and active de-icing

+ Modern and elegant aesthetics

At home by the most beautiful pools



Higher performance R32 fluid with no impact on the ozone layer



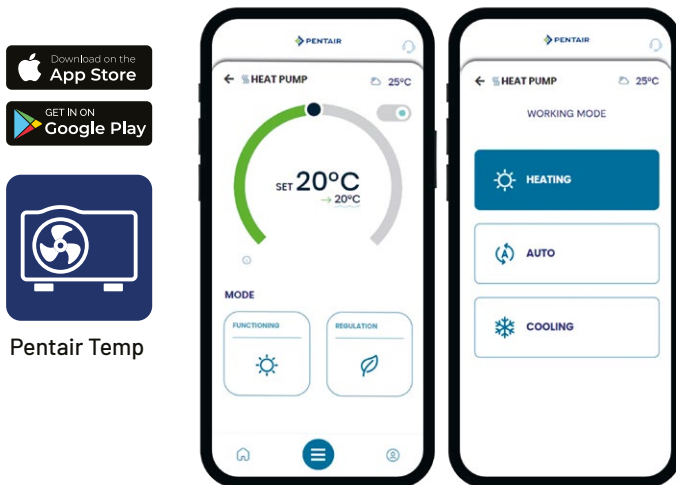
PATENTED
SYSTEM



Manage the temperature of your pool remotely with ease

With the free Pentair Temp app, remotely manage your IntelliTemp heat pump. Intuitively and securely on your smartphone or tablet, Pentair Temp allows you to check the status of your heat pump, choose its mode of operation, and increase or decrease the heating set temperature.

In addition to this simple control on your smartphone, the Pentair Temp app can communicate with the dedicated Pentair technical service as needed and allows secure remote maintenance of your heat pump: supervision, preventive maintenance, ease of maintenance and troubleshooting – Pentair Temp is the perfect tool for using your IntelliTemp with complete peace of mind.



Thanks to its integrated automatic valve, the IntelliTemp is not dependent on any other pool equipment for flow rate adjustment. As a result, its installation is easy and its compatibility is universal, for optimal energy performance every time.

3 SIMPLE OPERATING MODES

Smart mode

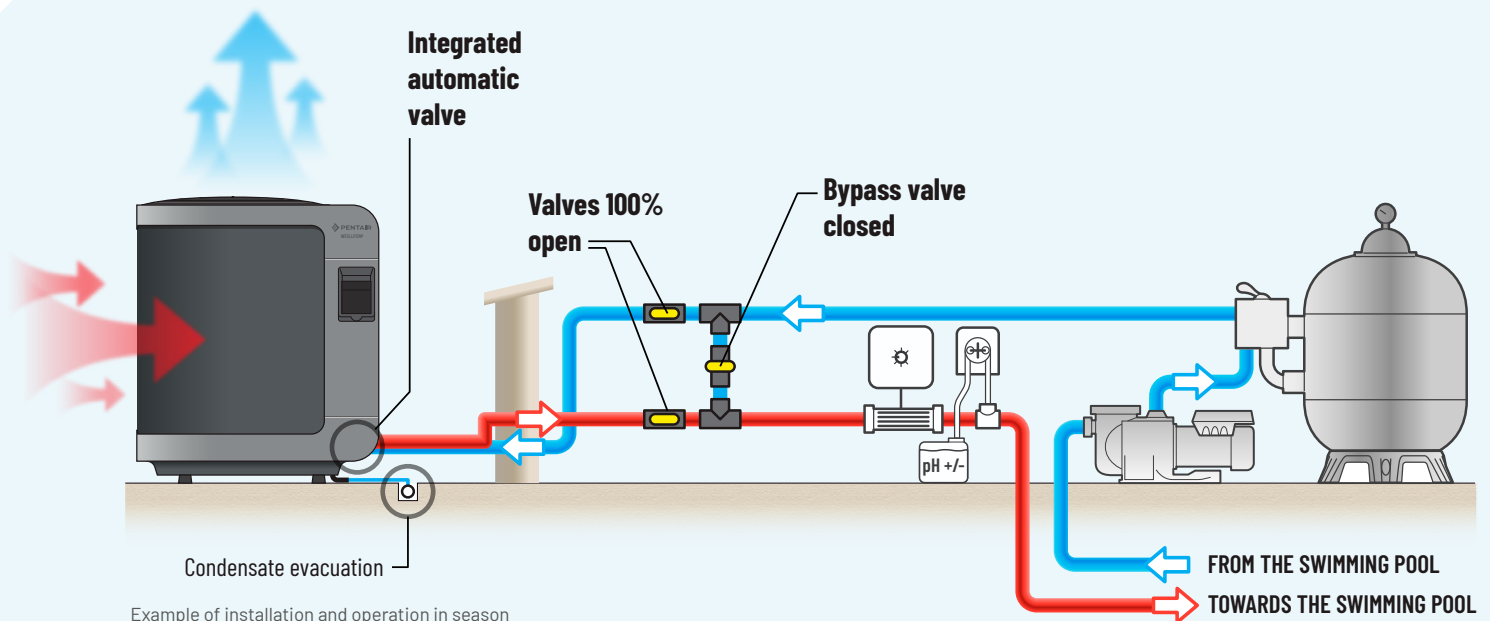
Optimum and automatic operation for maximum serenity

Boost mode

Fast heating, ideal at the start of the season

Eco-Silence mode

Silent operation, ideal during the season





Recommended pool size (m ³)	Model	Heating power (Boost mode)				Sound pressure dB (A) @ 10m	Power supply
		Dry air 26°C - Relative humidity 80% Water temperature 26°C		Dry air 15°C - Relative humidity 70% Water temperature 26°C		Eco-Boost Mode	
		kW	PC	kW	PC		
15-85	INTELLITEMP 5M-V	15.8	6.1 ~ 12.1	12.9	5 ~ 7	29 ~ 40	220-240V mono
85-105	INTELLITEMP 6M-V	18.5	5.6 ~ 12.4	14.9	4.8 ~ 7.7	33 ~ 42	
105-160	INTELLITEMP 8T-V	30.2	5.4 ~ 10.9	23.7	4.6 ~ 7.7	32 ~ 42	380-400 V tri



PENTAIR

PENTAIR POOL EUROPE

www.pentair.eu

All trademarks and logos displayed are the property of Pentair.
 Third party trademarks and logos are the property of their respective owners.
 © 2024 Pentair, all rights reserved. MKT-BRO-076-EN-A