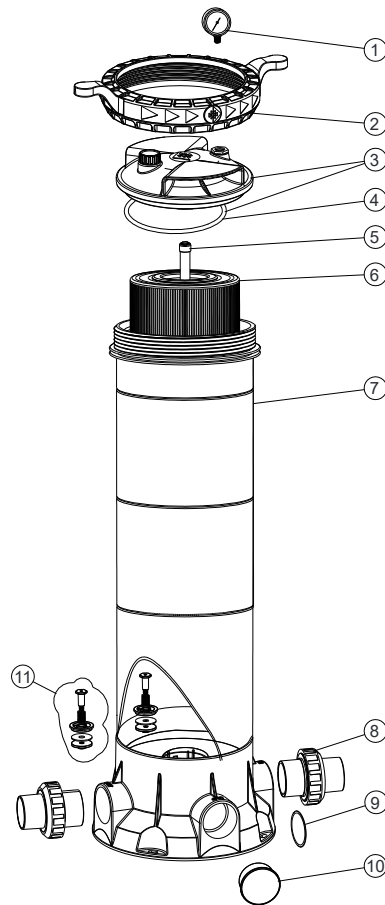


# Exploded views - FreeFlo



## Spare parts

No.	Part No.	Description	Part No. Includes
1	R800741	Oil Pressure Gauge with o-Ring	1
2	R800743	Locking Ring	1
3	R800744	Lid & O-Ring	1
4	R800745	O-Ring for Lid	1
5	R800746A	FFCF50 PVC Air Vent Pipe with Cover	1
	R800746	FFCF75 PVC Air Vent Pipe with Cover	1
	R800747	FFCF100 PVC Air Vent Pipe with Cover	1
	R800748	FFCF150 PVC Air Vent Pipe with Cover	1
	R800749	FFCF200 PVC Air Vent Pipe with Cover	1
6	R800750A	FFCF50 Cartridge Replacement Element	1
	R800750	FFCF75 Cartridge Replacement Element	1
	R800751	FFCF100 Cartridge Replacement Element	1
	R800852	FFCF150 Cartridge Replacement Element	1
	R800753	FFCF200 Cartridge Replacement Element	1
7	N/A	Filter Body	Not Available
8	R800754	50mm - 1.5" Union set	2
	R800755	63mm - 2" Union set	2
9	R800756A	O-Ring Set	2
10	R800756	Plug Set	2
11	R800757	Pressure Release valve	1