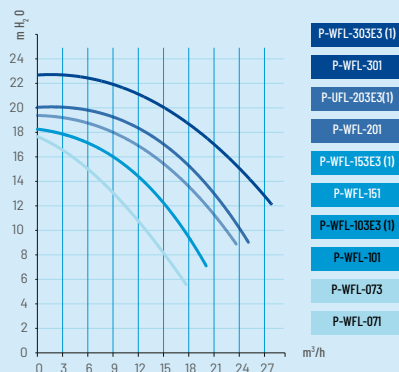


# WHISPERFLO<sup>®</sup>

## SINGLE SPEED PUMPS

The First-in-class hydraulic performances, modern design for the highest efficiency at low speed with very low energy consumption.



### FEATURES

- ¼ turn opening lid
- Quick self priming
- One-piece pump body

### BENEFITS

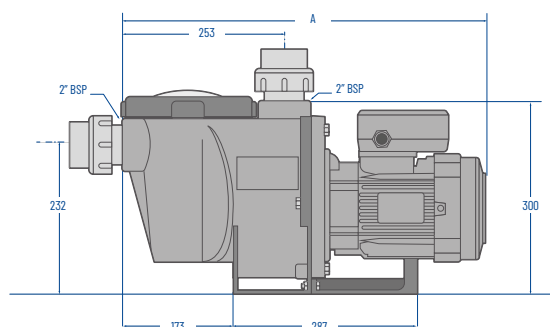
- Easy opening and locking
- Quick and safe start of the pump
- Super silent

### TECHNICAL FEATURES

- 100% Made by Pentair in our Pisa, Italy plant
- Induction asynchronous motor
- Bi-material shaft with Stainless Steel 304 shaft-end
- SKF sealed bearings
- Thermal Protection (single phase) IE3 compliant (tri-phase)
- Automation ON/OFF
- IP-X5
- Inlet/Outlet → 2" BSP tapped
- Ø Unions → 50 mm or 63 mm
- Unions included → VS2 and VSF
- Salt resistancy → 0.40%

Part Number	Flow m <sup>3</sup> /h @ 8 m	Power output (kW)	(HP)	Volt (V)	Phase	Length (A) (mm)	Weight (Kg)
P-WFL-071	15	0.55	0.75	220-240	1~	542	14.3
P-WFL-073	15	0.55	0.75	380-420	3~	534	12.6
P-WFL-101	19	0.75	1	220-240	1~	542	13.7
P-WFL-103E3 <sup>(1)</sup>	19	0.75	1	380-420	3~	534	14.3
P-WFL-151	23	1.1	1.5	220-240	1~	562	15.3
P-WFL-153E3 <sup>(1)</sup>	23	1.1	1.5	380-420	3~	562	22.3
P-WFL-201	24	1.5	2	220-240	1~	562	16.8
P-WFL-203E3 <sup>(1)</sup>	24	1.5	2	380-420	3~	562	23.9
P-WFL-301	32	2.2	3	220-240	1~	593	23
P-WFL-303E3 <sup>(1)</sup>	32	2.2	3	380-420	3~	593	30.3

<sup>(1)</sup> IE3 compliant



Packaging	Length (mm)	Width (mm)	Height (mm)	Pce/Palet
Box	65	33	38	-
Palet	130	100	165	24