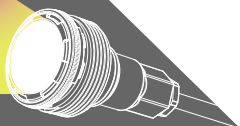
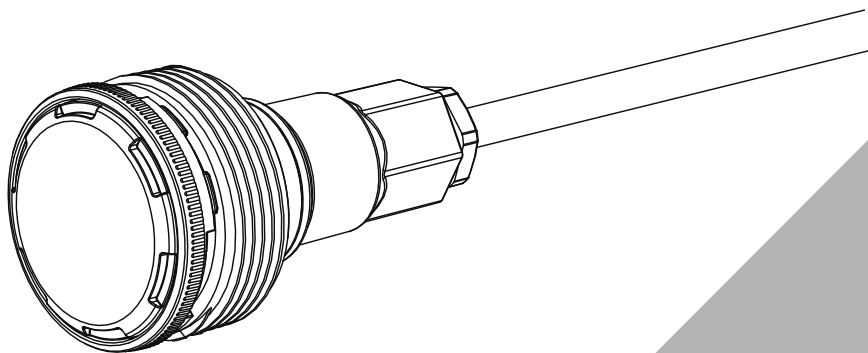




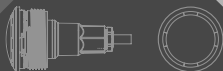
MICROBRITE®

EN - COLOR LED LIGHT FOR POOL AND SPA



620424-EU

Compact LED light for 1.5" pool wall fitting



COMPACT LED LIGHT FOR 1.5" POOL WALL FITTING

Pentair thanks you for placing your trust in the company and purchasing MICROBRITE®, the compact LED light for 1.5" pool wall fitting.

Please carefully read this user manual to fully benefit from all of the functions of MICROBRITE®. Store it carefully so that it can be consulted at any time.



Declaration of conformity

Directives – Harmonised standards

Pentair International Sarl – Avenue de Sévelin 20 – 1004 Lausanne – Switzerland

We declare, under our own responsibility, that the product meets the directives

SAFETY EN 60598-1 (2015) ; EN 60958-2-18 (1994) + A1

EMC EN 55015 / 2013 / AMD1 : 2015 ; EN 61547 / 2009 ; EN 62493 : 2015

EN 61000-3-2 : 2014 ; EN 61000-3-3 : 2013

PHOTOBIOLOGICAL SAFETY EN 62471 12/2008 ; IEC TR 62778 Edition 2 07/2014

MICROBRITE :

620424

Other normative documents

2002/95/EC (RoHS)

2002/96/EC (WEEE)

Authorised person for technical documentation

Pentair International S.a.r.l
Avenue de Sévelin 20
1004 Lausanne – Switzerland

Lausanne, 2021 01 28



Jacques Van Bouwel
Engineering Mgr

Product specifications: 620424-EU

Operating temperature: 0° to 40° C

Weight (cable included): 1.2 kg

Maximum installation depth underwater : 2m

Operating hygrometry: 100% at 75° C

Consumption: 12 W

Power supply: 12 V ~, 50 Hz

Light (underwater use): IP 68

Waste treatment of electronic devices at the end of their service life:



The crossed-out bin placed on the main parts which make up the product indicates that it must not be disposed of with household waste. It must be returned to an appropriate collection point for electronic device recycling (information available from the local household waste collection service). This product contains potentially dangerous substances which may have adverse effects on the environment and human health.

Hotline After sales service / SAV : +33(0)1 84 28 09 40

website: www.pentairpooleurope.com

- Warranty : 2 years

© 2021 Pentair International SARL, All rights reserved

- The document is subject to change without notice

Trademarks and disclaimers: MicroBrite® and Pentair® are trademarks and/or registered trademarks of Pentair and/or its affiliated companies. Unless indicated otherwise, names and brands of others that may be used in this document are not used to indicate an affiliation or endorsement between the owners of these names and brands and Pentair. Those names and brands may be the trademarks or the registered trademarks of these parties, or others.

SOMMAIRE

> IMPORTANT WARNING AND SAFETY INSTRUCTIONS	p 04
> GLOBAL PRESENTATION	p 06
> GLOBAL WIRING INSTALLATION RULES	p 06
> LIGHT INSTALLATION	p 07
> WET CONDUIT INSTALLATION	p 08
> DRY/SEALED CONDUIT INSTALLATION	p 10
> ELECTRICAL CONNECTION	p 11
> TROUBLESHOOTING	p 14
> SPARE PARTS	p 14
> MAINTENANCE	p 15
> TECHNICAL DRAWINGS	p 16

IMPORTANT WARNING AND SAFETY INSTRUCTIONS



DANGER - SERIOUS BODILY INJURY OR DEATH CAN RESULT IF THIS LIGHT IS NOT INSTALLED AND USED CORRECTLY.

DANGER - INSTALLERS, POOL OPERATORS AND POOL OWNERS MUST READ THESE WARNINGS AND ALL INSTRUCTIONS BEFORE USING THE POOL AND/OR SPA LIGHT.



The light should be positioned so that prolonged staring into the luminaire at a distance closer than 0.51m is not expected.

Do not stare at the operating light source.

WARNING - Most states and local codes regulate the construction, installation, and operation of public pools and spas, and the construction of residential pools and spas. It is important to comply with these codes, many of which directly regulate the installation and use of this product. Consult your local building and health codes for more information.

IMPORTANT NOTICE - Attention Installer: This Installation and User's Guide ("Guide") contains important information about the installation, operation and safe use of this underwater pool and spa light. This Guide should be given to the owner and/or operator of this equipment.

Before installing this product, read and follow all warning notices and instructions in this Guide. Failure to follow warnings and instructions can result in severe injury, death, or property damage.

Please refer to www.pentairpooleurope.com for more information related to this products.

DANGER - RISK OF ELECTRICAL SHOCK OR ELECTROCUTION: UNDERWATER POOL LIGHTS REQUIRE HIGH VOLTAGE WHICH CAN SHOCK, BURN, OR CAUSE DEATH. Before working or servicing pool lights, always disconnect power to the pool and/or spa lights at the source circuit breaker. Failure to do so could result in death or serious injury to service person, pool users or others due to electric shock. When installing and using this electrical equipment, basic safety precautions should always be followed.

ELECTRICAL WIRING RULES : This product must be installed by a licensed or certified electrician or a qualified pool professional in accordance with the local regulation depending country :

A = ÔVE 8001-4-702

D = OIN VDE 0100-702

EW = EVHS-HD 384-7-702

GB = 6S7671:1992

I = CEi 64-8/7

LUX = 384-7.702 S2

NL = NEN 1010-7-702

PL = PN-IEC 60364-7-702:1999

SLO = SIST HD 384-7-702.S2

CZ = CSN 33 2000 7-702

E = UNE 20460-7-702 1993, RECBT ITC-BT-31 2002

F = NF C15-100

H = MSZ 2364-702/1994/MSZ 10-553 1/1990

IRL = Wiring Rules + IS HD 384-7-702

M = MSA HD 384-7-702.S2

P = RSUUEE

SK = STN 33 2000-7-702

TR = TS IEC 60364-7-702

All applicable local installation codes and ordinances must also be adhered to. Improper installation will create an electrical hazard which could result in death or serious injury to pool users, installers or others due to electrical shock, and may also cause damage to power source. Always disconnect the power to the pool light at the circuit breaker before installing or removing the light. Failure to do so could result in death or serious injury.

IMPORTANT WARNING AND SAFETY INSTRUCTIONS

WARNING - For countries in compliance with International Electrotechnical Commission (IEC) regulatory standards: The light fixture must be installed by a licensed or certified electrician or a qualified pool service person, in accordance with current IEC 364-7-702 and all applicable local codes and ordinance. Improper installation will create an electrical hazard, which could result in death or serious injury to pool user, installer or other due to electrical shock and may also cause damage to the property.

WARNING - This product is intended for use in swimming pool applications only.

POOL AND SPA FIXED LUMINARIES - Follow these guidelines when installing or replacing Pentair Water Pool and Spa fixed luminaries.

FOR LIGHT OPERATION, ONLY USE A SAFETY ISOLATION TRANSFORMER COMPLIANT WITH NF EN 61558-2-6.

Note: Connect both wires to the corresponding circuit wires in the junction box (brown wire to power, and blue wire to common) FIXED POOL AND SPA LUMINARIES SPECIFICATION: 12 VAC 50/60 Hz.

- **IMPORTANT NOTICE** - THE MICROBRITE LIGHT IS A NON-SERVICEABLE LIGHT. THE COMPLETE LIGHT ASSEMBLY MUST BE REPLACED.

- **CAUTION** - DO NOT INSTALL MICROBRITE LIGHTS WITH DIMMER SWITCHES. USE OF DIMMER SWITCHES WILL RESULT IN PERMANENT DAMAGE TO THE LIGHT.

- **WARNING** - Connect the device to a differential interrupter. If this system is used to control the underwater lighting devices, a differential interrupter must be installed upstream of these devices. Conductors downstream of the differential interrupter shall not be located in ducts, junction boxes or enclosures containing other conductors, except if the conductors are also protected by a differential interrupter. Refer to valid local codes for more details.

GLOBAL PRESENTATION

MicroBrite® light overview

This manual describes how to install, replace and operate the 12 VAC MicroBrite light for pool and spa. The MicroBrite light provides exceptional brilliance and lighting uniformity. For new pool and spa designs, their compact size delivers the freedom to add dynamic lighting in places never before possible. Let your imagination take you to brighter places!

GLOBAL WIRING INSTALLATION RULES

MicroBrite® light wiring installation

To connect the MicroBrite light to a junction box:

1 - Route the MicroBrite light power cord light cable through the wall fitting to the location of the junction box.

2 - At the junction box, leave at least 15 cm of cord to facilitate the light installation. Cut off any extra cord.

WARNING : Electrical wiring to the lighting must be in accordance with the latest edition of the Electrician Wiring Rules (see p4).

3 - Connect the two (2) conductors to the corresponding circuit wires in the junction box. Secure the junction box cover.

4 - Before operating the MicroBrite light, fill the pool with water until the light is completely submerged.

Note: The MicroBrite light should not be powered for more than 30 seconds if is not submerged in water.

5 - Final check for proper MicroBrite light operation:

Switch on the main switch or circuit breaker to the 12 VAC transformer and the switch that operates the MicroBrite light itself. The light should illuminate when the 12 VAC power is applied. If not recheck the installation steps.

LIGHT INSTALLATION

INSTALLATION IN 1.5" WALL FITTING

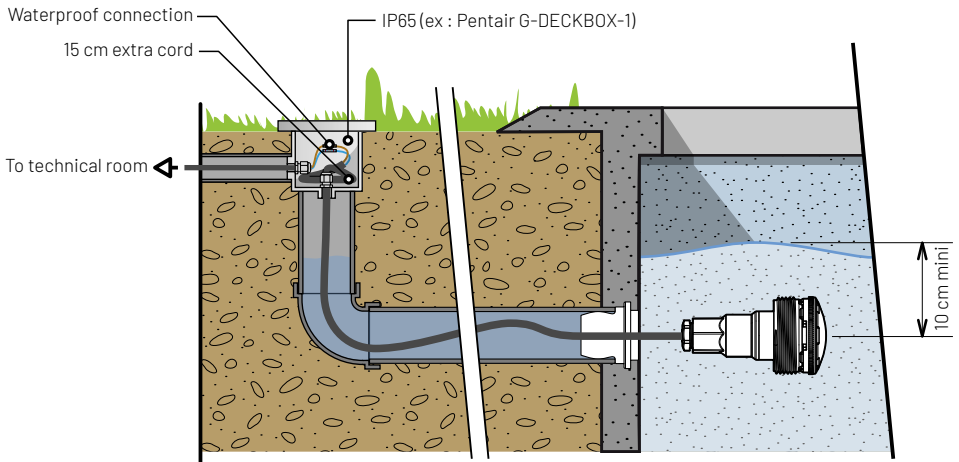
The following instruction describes how to install the MicroBrite light in a 1-1/2" wall fitting.

BEFORE STARTING: The following information describes the tasks that must be completed by the electrician before the light wall fitting is installed. See figure below.

WARNING : Electrical wiring to the lighting must be in accordance with the latest edition of the electrician wiring rules (see p4).

The Junction Box must be installed as shown below.

The low voltage transformer (compliant with NF EN 61558-2-6) must be located in the technical room.



COMPATIBLE WALL FITTINGS

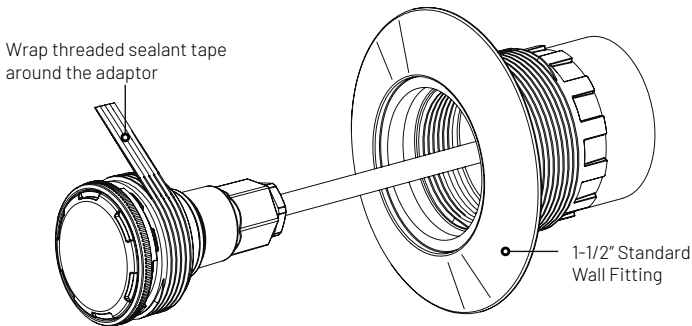
PENTAIR 86205100	HAYWARD SP1022
PENTAIR 542429	WATERWAY 215-9170B
PENTAIR 542402	WATERWAY 400-9150B
PENTAIR 542414	WATERWAY 215-9890B
PENTAIR 542411 (not recommended)	WATERWAY 400-9170B
PENTAIR 86205100	CMP CMP25550001060
PENTAIR 542405	CMP CMP25522100000
PENTAIR 542404	CMP CMP25550000000

The MicroBrite light adaptor allows the mounting of the MicroBrite light in the 1-1/2" return fitting. Refer to the compatible MicroBrite light wall fittings table above.

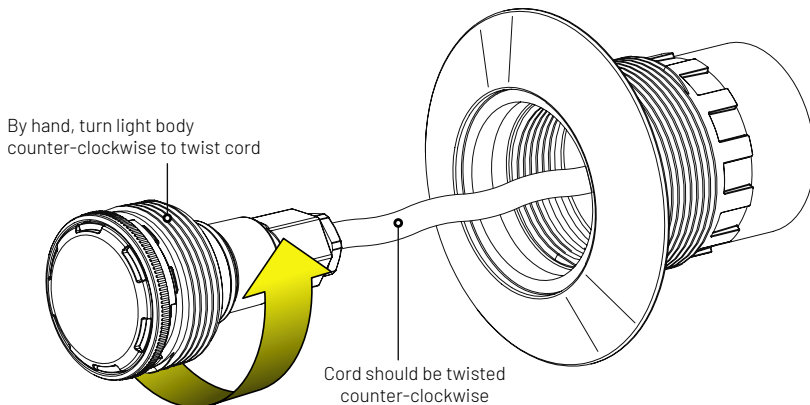
WET CONDUIT INSTALLATION

Note: MicroBrite lights are shipped from the factory with the white threaded adaptor ring pre-installed onto the body of the light. The male threads on the white threaded adaptor ring allow the light to be threaded into the female threads of most 1-1/2" (1.5") pool wall return fittings. To install the MicroBrite light wall fitting into a concrete/vinyl pool:

- 1 - To install a MicroBrite light, route the MicroBrite light power cord light cable through the 1.5" wall fitting to the location of the junction box.
- 2 - Wrap plumber's thread sealant tape around the male threads on the white threaded adaptor ring on the light.
- 3 - Pull the MicroBrite power cord through the conduit so there is approximately 7 to 15 cm of visible cord between the body of the MicroBrite light and the wall fitting.

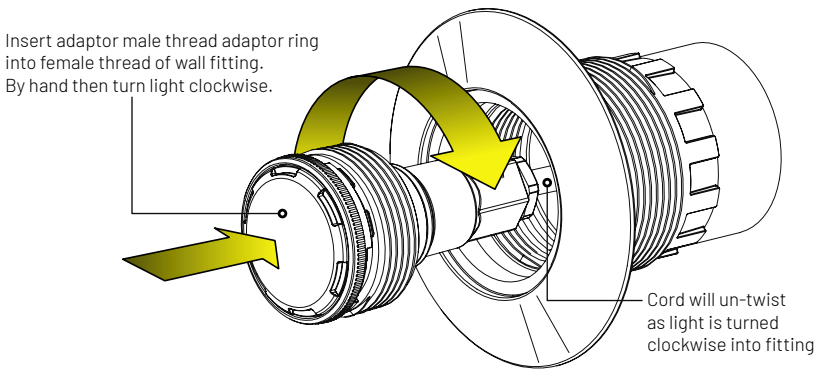


- 4 - With the MicroBrite light in your hands, roll the body of the light several turns counter-clockwise, so that the cord of the MicroBrite light receives several "pre-twists" in a counter-clockwise direction. Read step 5 before continuing with step 6.
- 5 - Dry/Sealed conduit installation (use provided kit), see page 10: If code requires an O-Ring to be installed on the light for a dry conduit installation, install the O-Ring as described on page 10, then continue with step 6 below.



Continue on page 9

6 - Insert the MicroBrite light into the 1.5" wall fitting. By hand start the process of threading the male threads on the MicroBrite's white threaded adaptor ring into the female threads of the wall fitting.



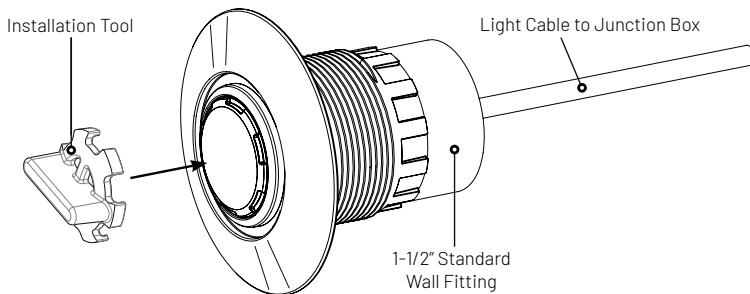
7 - Place Microbrite light installation tool (P/N 602158Z) over the front of the light while turning the tool and light clockwise.

Note: If the light does not turn smoothly, pull the light slightly out and be sure that it's seated properly and the wall fitting is free of debris, then reinstall the light.

8 - Turn the light clockwise while threading it into the wall fitting to un-twist the power cord.

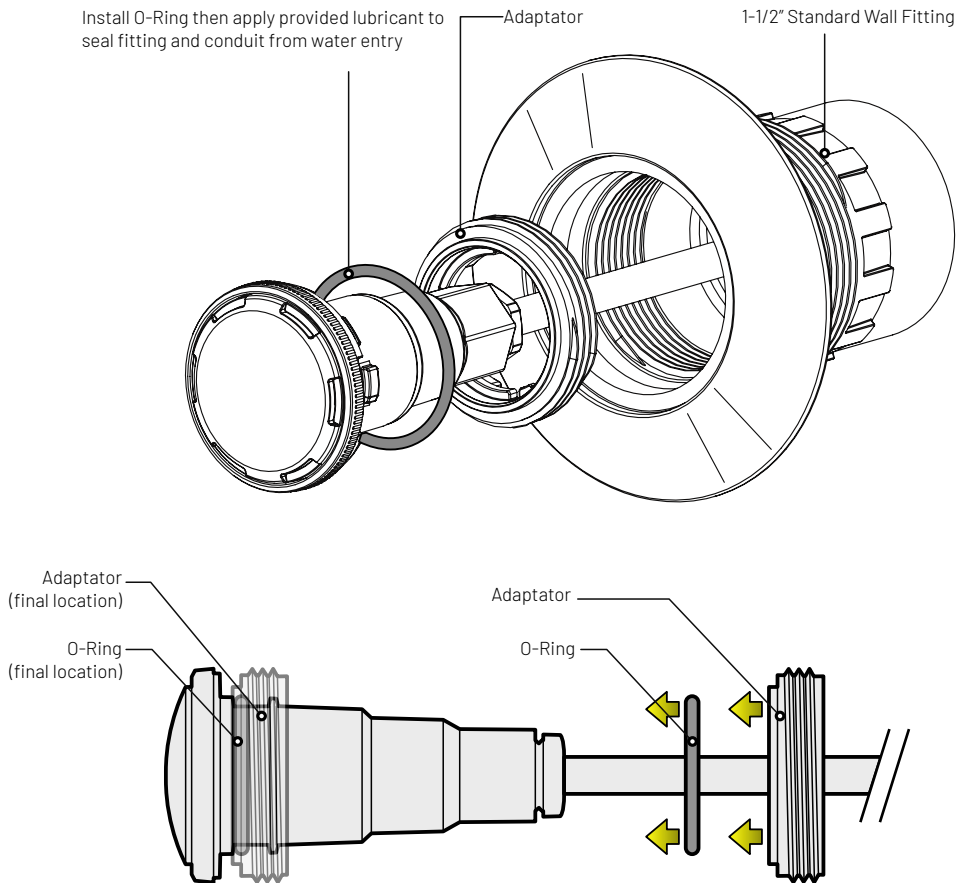
9 - Turn the light clockwise (approximately 5 turns) so that it is threaded tightly into the wall fitting.

10 - Note: Once the light is tightly installed remove the tool be sure the light cannot be unscrewed using your fingers. The light should be secured in place so that it can only be removed by using the light installation tool.



DRY/SEALED CONDUIT INSTALLATION (USE PROVIDED KIT)

- 1 - Note:** The pool water level must be below the level of the 1.5" return fitting where the MicroBrite will be installed.
- 2 -** Unscrew the adaptor from the body of the light and remove it along the 3m cord.
- 3 -** Pass the 3m cord inside the O-Ring.
- 4 -** Place the O-Ring behind the lens body.
- 5 -** Apply the provided lubricant on the O-Ring.
- 6 -** Pass the 3m cord inside the adaptor.
- 7 -** Place back the adaptor on the body of the light
- 8 -** Resume the installation process at step 1 (see page 8).



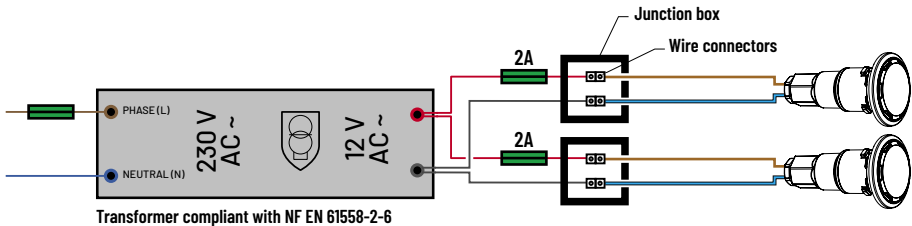
ELECTRICAL CONNECTION

EXTERNAL SAFETY ISOLATION TRANSFORMER :

Using an external safety isolation transformer for multiple 12 VAC MicroBrite lights

When using multiple MicroBrite 12 VAC ~ lights on a 100 Watt safety isolation transformer, it is recommended that no more than six (6) MicroBrite lights be used.

For long cable lengths for each light, it is recommended not to exceed 45 m of total cable run between the 12 VAC isolation transformer and the MicroBrite light.



Maximum wattage using multiple lights (with a 300 Watt isolation transformer).

IMPORTANT! When using multiple 12 VAC Pentair pool and spa lights the total allowable light wattage should not exceed 80% of rated value.

The individual light wattage is as follows:

- One MicroBrite Color Pool LED light is 12 Watts maximum
- One IntelliBrite-e Pool Color LED light is 40 Watts maximum
- One IntelliBrite-PAR56 Color LED light is 40 Watts maximum
- Up to six (6) MicroBrite 12 V AC lights can be connected on a 100W transformer.
- Up to twenty (20) MicroBrite 12 V AC lights can be connected on a 300W transformer.

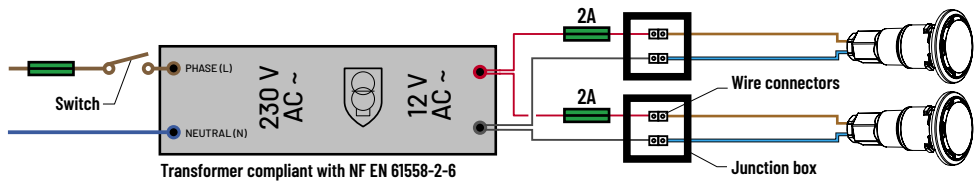
Powering on the MicroBrite color lights

When the MicroBrite color light is powered on, the previously selected color is displayed, unless the HOLD or RECALL feature was previously enabled.

Note: If power to the light is off for more than five (5) seconds, the last color show mode or fixed color that was saved will be displayed.

Operating MicroBrite® light using a wall switch

MicroBrite lights can be controlled using a standard wall-mount light switch. Multiple MicroBrite lights can be connected via a junction box and a 12 VAC transformer to a single switch so that all lights can be switched on and off together. MicroBrite lights are controlled by cycling AC power to the 12 VAC transformer from a standard wall switch. By turning the switch on and off a specific number of times, you can choose from one of three brightness levels.



Powering on the MicroBrite light

Note: The MicroBrite light ships from the factory in the 100% brightness mode.

When the MicroBrite light is powered on, it defaults to the previously selected brightness level.

Note: If power to the light is off for more than five (5) seconds, the last brightness level that was saved will be displayed.

Selecting a MicroBrite light brightness level using a wall switch

MicroBrite lights allow you to choose from one of three brightness levels (100%, 75% and 50%). Whenever the MicroBrite light is turned on, it starts at its highest brightness level (100%). Unless it was previously set to the medium (75%) or low brightness level (50%).

NOTE: MicroBrite Color models are not equipped with dimming functionality. Only MicroBrite lights have dimming functionality.

To select one of the three brightness levels (100%, 75% and 50%) first power on the lights, then by rapidly cycling the light switch OFF and ON a specified number of times, you can select the desired light brightness level.

Selecting the light's brightness levels is as follows:

- 100% Brightness: Switching the lights OFF then rapidly back ON, will set the lights to 100% brightness.
- 75% Brightness: Switch OFF-ON-OFF-ON and the lights will come on at 100% then dim to 75% after 1 second.
- 50% Brightness: Switch OFF-ON-OFF-ON-OFF-ON and the lights will come on at 100%, dim to 75% after one second and then dim to 50% after another second.

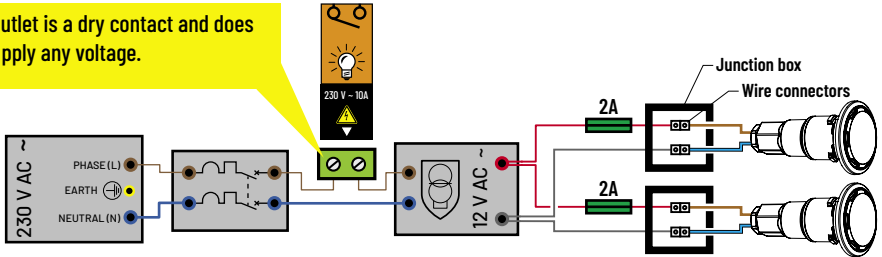


Operating MicroBrite lights using an automation system

MicroBrite lights can also be automatically controlled using the Pentair IntelliPool, Maestro or Speedeo.

Refer to the automation device user manual for wiring.

i An outlet is a dry contact and does not supply any voltage.



TROUBLESHOOTING

Troubleshooting (MicroBrite lights)

Light does not function properly: Be sure that there is 12 VAC power applied to the light.

Troubleshooting (IntelliBrite Controller)

Both of the LEDs are flashing: Check the light wiring connection to the junction box at the pool side and to the AC power switch.

The IntelliBrite Controller has detected that the load has exceeded the maximum allowable wattage or the output is shorted out.

1 - Switch off the IntelliBrite Controller OFF. Remove excessive load or short.

2 - Press the IntelliBrite Controller power switch to power on the unit. Ensure that the LEDs are no longer flashing.

SPARE PARTS

MicroBrite® white LED lights parts list:

Part No.	Description
620428-EU	MicroBrite Light 12 VAC - 3 meter cord
620457-EU	MicroBrite Warm White Light 12 VAC - 3 meter cord

MicroBrite Color and White LED lights replacement kits

Part No.	Description
620460	MicroBrite Light Adaptor (replacement)
602158Z	Installation Tool (replacement)
620463	Conduit Seal O-Ring (replacement)

MAINTENANCE

REPLACING THE MICROBRITE® LIGHT ASSEMBLY (IN AN EXISTING POOL OR SPA)

WARNING : Electrical wiring to the lighting must be in accordance with the latest edition of the Electrician Wiring Rules (see p1).

IMPORTANT NOTICE: THE MICROBRITE LIGHT IS A NON-SERVICEABLE LIGHT. THE COMPLETE LIGHT ASSEMBLY MUST BE REPLACED.

WARNING - Verify that the pool and spa meets the requirements of the current local regulation applicable. A licensed or certified electrician must install the electrical system to meet or exceed those requirements before the underwater light is installed.

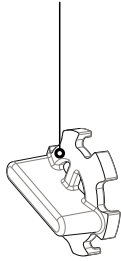
IMPORTANT NOTICE:

The following removal and installation instructions describe how to remove and install the MicroBrite light assembly.

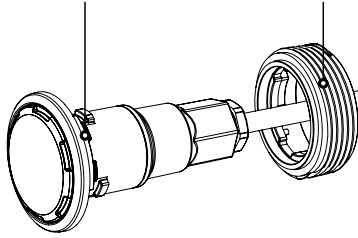
Failure to bring the pool or spa's electrical system up to code requirements before installing the underwater light will create an electrical hazard which could result in death or serious injury to pool users, installers, or others due to electrical shock, and may also cause damage to property.

- 1 -** Switch off electrical switch or circuit breaker at the source,
- 2 -** Remove junction box or transformer cover. Disconnect the light wires and attach a fish tape to the existing light power cord. This will assist in pulling the replacement light power cord through the conduit back to the junction box.
- 3 -** Remove the MicroBrite light assembly from the pool or spa water: Using the provided installation tool (P/N 602158Z), rotate the light assembly counter-clockwise 1/8 of a turn to release the light from the wall fitting.
- 4 -** Slowly pull the light and attached power cord (with attached fish tape) out of the wall fitting. Pull the light's power cord and fish tape out of the wall fitting and place the light on the deck.
- 5 -** Attach the new light power cord to the fish tape and carefully feed the fish tape and cable to the junction box.
- 6 -** Install the light into the wall fitting: See page 7-10 for light installation instructions.
- 7 -** Connect the two (2) conductors to the corresponding circuit wires in the junction box: See page 11 and following for light wiring instructions.
- 8 -** Final check: See page 6 for final check instructions.

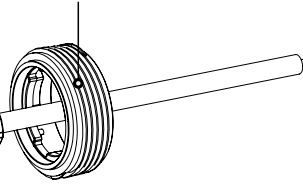
Installation tool



O-Ring

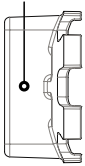


MicroBrite light adaptor

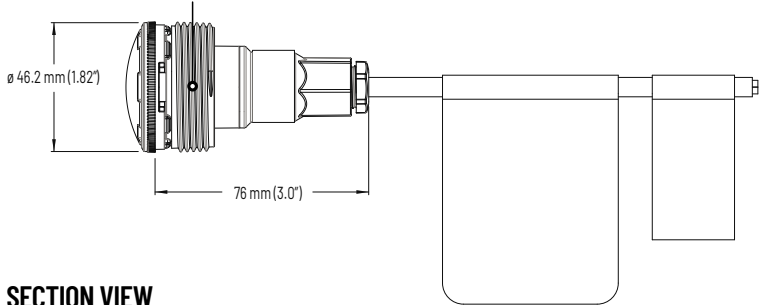


MicroBrite® White LED light dimensions

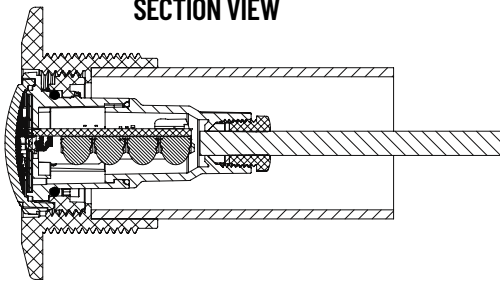
INSTALLATION TOOL



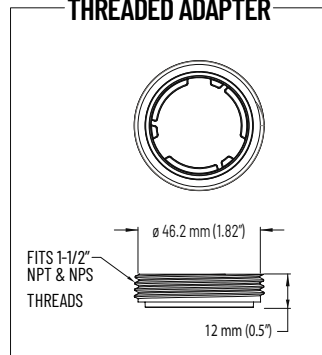
THREADED ADAPTER



SECTION VIEW



THREADED ADAPTER



Pentair International SARL

Ave. de Sévelin 20, CH-1004 - LAUSANNE, Switzerland

© 2021 Pentair - Limited License: except as specifically permitted herein, no portion of the content on this document may be reproduced in any form or by any mean without the prior written permission of Pentair International SRL.