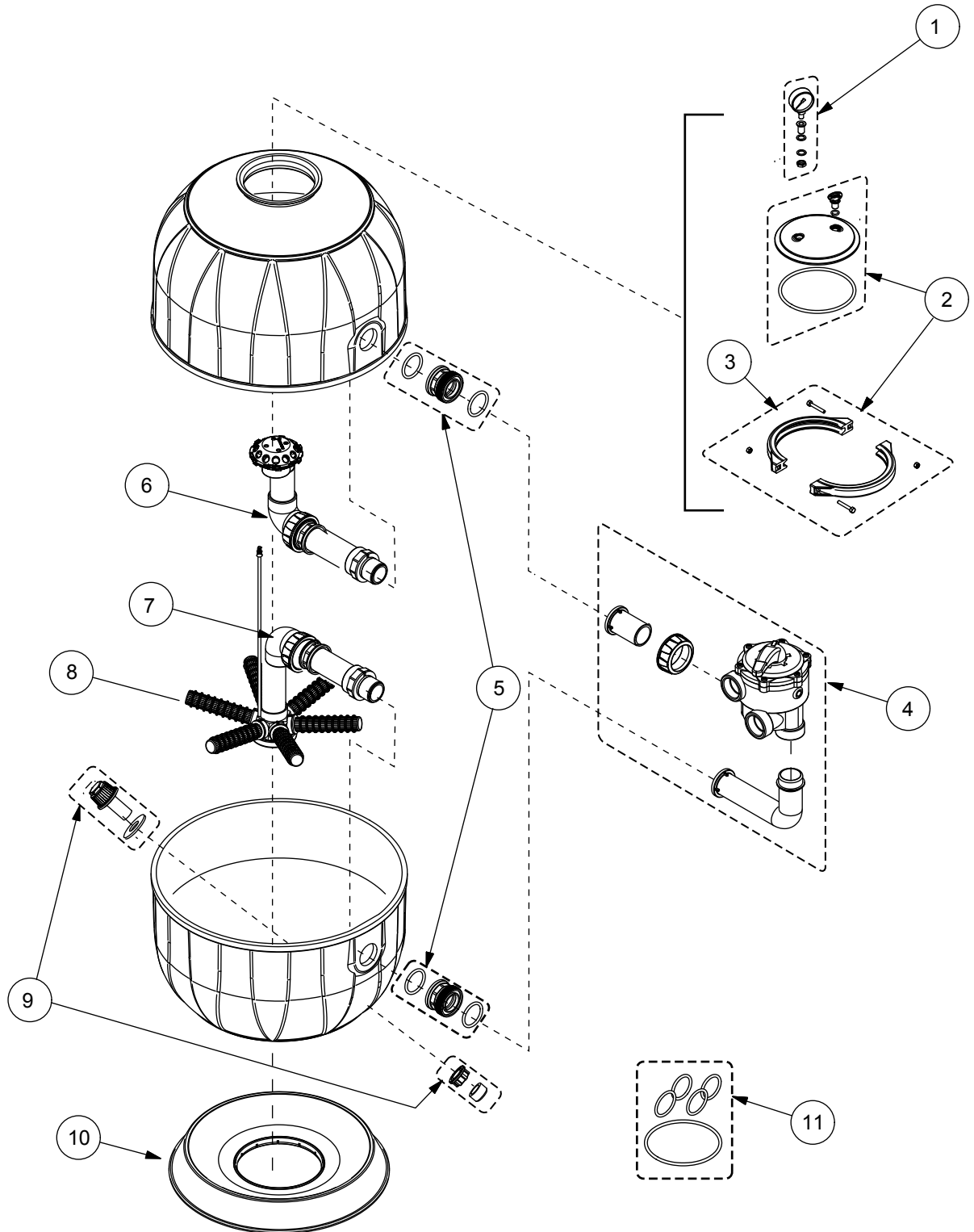


Exploded views - TRL



TRL Replacement parts

No.	Part No.	Description	Part No. Includes
1	RPIF001	Manometer - Pressure Gauge	1
2	RPIF002	Closure lid for TRL40(CP) & TRL60(CP)	1
	RPIF003	Closure lid for TRL100(CP)	1
3	RPIF004	Clamp for TRL40(CP) & TRL60(CP)	1
	RPIF005	Clamp for TRL100(CP)	1
4	RPIF006	Valve 1 1/2" 6-Way for TRL40(CP) & TRL60(CP)	1
	RPIF007	Valve 2" 6-Way for TRL100(CP)	1
5	RPIF008	Bulkhead kit for TRL40(CP) & TRL60(CP)	2
	RPIF009	Bulkhead kit for TRL100(CP)	2
6	RPIF010	Top Diffuser System for TRL40(CP)	1
	RPIF011	Top Diffuser System for TRL60(CP)	1
	RPIF012	Top Diffuser System for TRL100(CP)	1
7***	RPIF013	Bottom Hub System TRL40	1
	RPIF014	Bottom Hub System TRL60	1
	RPIF015	Bottom Hub System TRL100	1
	RPIF016	Bottom Hub System TRL40CP	1
	RPIF017	Bottom Hub System TRL60CP	1
	RPIF018	Bottom Hub System TRL100CP	1
8	R301904*	Lateral for TRL40	1
	R302404*	Lateral for TRL60	1
	R303004**	Lateral for TRL100	1
	R301904CP*	Lateral Clear Pro for TRL40CP	1
	R302404CP*	Lateral Clear Pro for TRL60CP	1
	R303004CP**	Lateral Clear Pro for TRL100CP	1
9	RPIF019	Drain Kit High Flow	1
10	RPIF020	Base for TRL40(CP) & TRL60(CP)	1
	RPIF021	Base for TRL100(CP)	1
11****	RPIF022	O-ring kit for TRL40(CP) & TRL60(CP)	1
	RPIF023	O-ring kit for TRL100(CP)	1

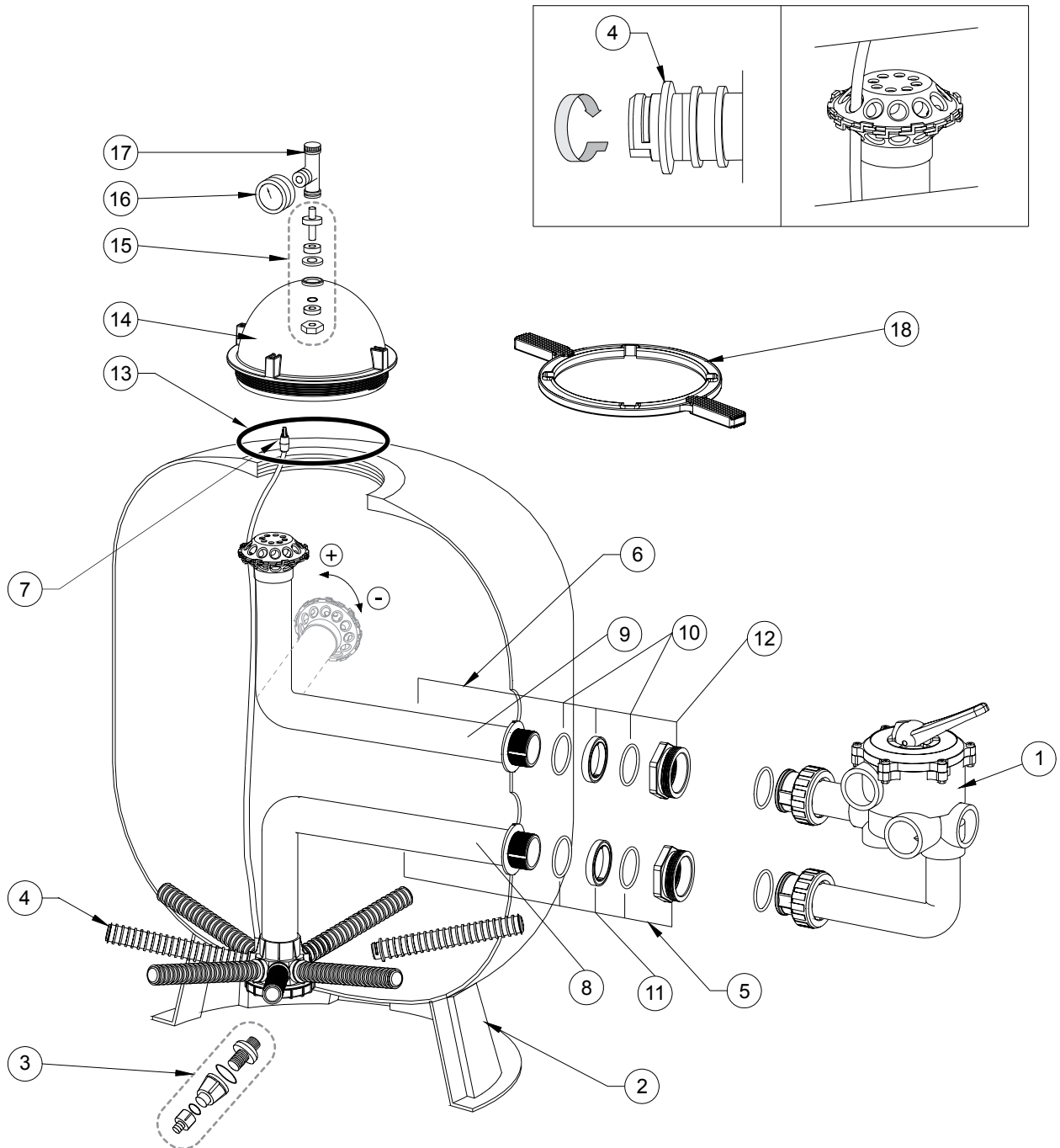
* ONE FILTER REQUIRES 6 PIECES

** ONE FILTER REQUIRES 8 PIECES

*** DOES NOT INCLUDE LATERALS

**** IS ADDITIONAL KIT WITH O-RINGS FROM No. 2 & 5

Exploded views - TRX



TRX Replacement parts

No.	Part No.	Description	Part No. Includes	
1**	RE261070ND	Valve 1 1/2" 6-Way (for 19" & 24")	1	
	RE261071ND	Valve 2" 6-Way (for 30" & 36")	1	
2	RBASEUNI1	Base (19" & 24")	1	
	RBASEUNI2	Base (30" & 36")	1	
3	R154696	Drain Kit High Flow	1	
4	R301904	Lateral 19"	1	
	R302404	Lateral 24"	1	
	R303004	Lateral 30"	2	
	R303604	Lateral 36"	2	
	R301904CP	Lateral Clear Pro 19"	1	
	R302404CP	Lateral Clear Pro 24"	1	
	R303004CP	Lateral Clear Pro 30"	1	
	R303604CP	Lateral Clear Pro 36"	1	
	5	G-30-1905NCP	Bottom Diff. Sys.19" (incl.7,8,10,11,12)	1
		G-30-2405NCP	Bottom Diff. Sys.24" (incl.7,8,10,11,12)	1
G-30-3005NCP		Bottom Diff. Sys.30" (incl.7,8,10,11,12)	1	
G-30-3605NCP		Bottom Diff. Sys.36" (incl.7,8,10,11,12)	1	
6	G-30-1906	Top Diffuser System 19" (incl.9,10,11,12)	1	
	G-30-2406	Top Diffuser System 24" (incl.9,10,11,12)	1	
	G-30-3006	Top Diffuser System 30" (incl.9,10,11,12)	1	
	G-30-3606	Top Diffuser System 36" (incl.9,10,11,12)	1	
7	RTTAIR	Air Relief Strainer	1	
	G-30-1908CP	Bottom Pipe and Hub Set 19"	1	
	G-30-2408CP	Bottom Pipe and Hub Set 24"	1	
	G-30-3008CP	Bottom Pipe and Hub Set 30"	1	
9	G-30-3608CP	Bottom Pipe and Hub Set 36"	1	
	G-30-1909	Top Pipe and Diffuser Set 19"	1	
	G-30-2409	Top Pipe and Diffuser Set 24"	1	
	G-30-3009	Top Pipe and Diffuser Set 30"	1	
10	G-30-3609	Top Diffuser System 19" (incl.9,10,11,12)	1	
	R154492	Top Diffuser System 24" (incl.9,10,11,12)	1	
	11	REVOADR1	Top Diffuser System 30" (incl.9,10,11,12)	1
		REVOADR2	Top Diffuser System 36" (incl.9,10,11,12)	1
12	RTTBHD	Air Relief Strainer	1	
13	R152501W	Bottom Pipe and Hub Set 19"	1	
14	R152500	Bottom Pipe and Hub Set 24"	1	
15	R154687	Bottom Pipe and Hub Set 30"	1	
16	R152046	Bottom Pipe and Hub Set 36"	1	
17	R154689	Top Pipe and Diffuser Set 19"	1	
18	R154513	Top Pipe and Diffuser Set 24"	1	
	G-15-4600	Closure Kit (incl.13, 14, 15, 16 & 17)		
	RWRENCHTT	Metal Wrench for bulkheads	1	

* ONE FILTER REQUIRES 8 PIECES

** SEE VALVE SHEET FOR VALVE SPARE PARTS